

Name: _____ ()

Marks: _____ /25

Class: Primary 5 ()

13/5/04

Section A (25 marks)

Questions 1 – 5 carry 1 mark each.

Questions 6 to 15 carry 2 marks each.

For each question, four options are given. One of these is the correct answer. Make your choice (1, 2, 3 or 4) and shade the correct answer on the Optical Answer Sheet (OAS).

NOTE : THE FIGURES IN THIS SECTION ARE NOT DRAWN TO SCALE.

1. $7\ 645 = 7 \times \square + 600 + 45.$

(1) 10

(2) 100

(3) 1 000

(4) 10 000

2. Express $\frac{15}{24}$ in its lowest term.

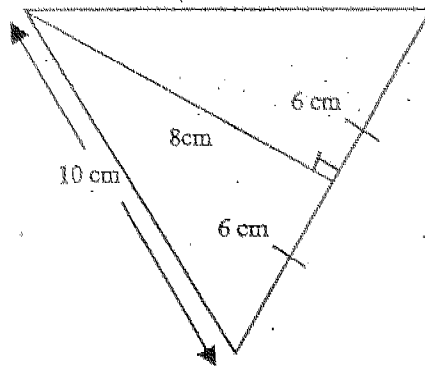
(1) $\frac{3}{4}$ (2) $\frac{5}{8}$ (3) $\frac{3}{5}$ (4) $\frac{3}{8}$

3. $\frac{4}{15} \times \frac{5}{12} = \square$

- (1) $\frac{1}{8}$
- (2) $\frac{1}{9}$
- (3) $\frac{1}{3}$
- (4) $\frac{1}{6}$

()

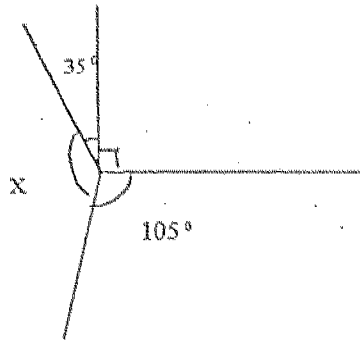
4. Based on the figure below, find the area of the triangle.



- (1) 24 cm^2
- (2) 40 cm^2
- (3) 48 cm^2
- (4) 60 cm^2

()

5. Based on the figure below, find the value of $\angle x$.



- (1) 45°
(2) 70°
(3) 130°
(4) 140°

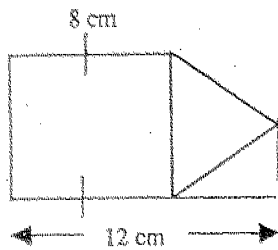
6. A school bus is allowed to carry only 35 pupils. How many such buses are needed to carry 200 pupils?

- (1) 7
(2) 6
(3) 5
(4) 4

7. $\frac{1}{4} \times \square = \frac{2}{3}$

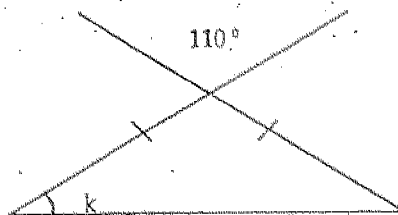
- (1) $\frac{1}{6}$
(2) $\frac{3}{8}$
(3) $2\frac{2}{3}$
(4) $2\frac{5}{6}$

8. The figure below is made up of a triangle and a square of side 8 cm. What is its area?



- (1) 48 cm^2
- (2) 64 cm^2
- (3) 72 cm^2
- (4) 80 cm^2

9. Based on the figure below, find the value of $\angle k$.



- (1) 35°
- (2) 70°
- (3) 110°
- (4) 125°

10. A watermelon is 4 times as heavy as an apple. The ratio of the weight of the apple to the total weight of the 2 fruits is _____.

- (1) 1:2
- (2) 1:4
- (3) 1:5
- (4) 1:6

11. Ali, Brian and Cindy shared a packet of Digimon cards. Ali took $\frac{1}{5}$ of the cards. Brian had 3 more cards than Ali. Cindy had 30 cards. How many cards were there in the packet at first?

- (1) 45
- (2) 50
- (3) 55
- (4) 60

()

12. Line A is $5\frac{3}{10}$ cm long. It is $2\frac{4}{5}$ cm longer than Line B. Find the length of Line B. (Give your answer in its simplest form).

- (1) $2\frac{1}{2}$ cm
- (2) $3\frac{1}{5}$ cm
- (3) $7\frac{7}{10}$ cm
- (4) $8\frac{1}{10}$ cm

()

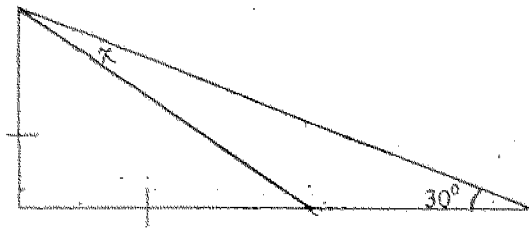
13. A box measures 18 cm by 12 cm by 5 cm. How many cubes with side 2 cm can fit exactly into the box?

- (1) 108
- (2) 135
- (3) 270
- (4) 540

()

14

Based on the figure below, find $\angle x$.



- (1) 5°
- (2) 15°
- (3) 30°
- (4) 45°



()

15. There were 5 more oranges than pears in a basket. If there were 23 fruits in all, find the ratio of the number of oranges to the number of pears.

- (1) 5 : 23
- (2) 14 : 9
- (3) 9 : 23
- (4) 23 : 28

()

1) 3

2) 2

3) 2

4) 3

5) 3

6) 2

7) 3

8) 4

9) 1

10) 3

11) 3

12) 1

13) 1

14) 2

15) 2

CHONGFU PRIMARY SCHOOL
FIRST SEMESTRAL ASSESSMENT
MATHEMATICS

(SA1)

2004

BOOKLET B

PRIMARY 5 EM 1/2

Name : _____

Marks : _____ /75

Class : Primary 5 ()

13/5/2004

Section B (20 marks)

Each question from 16 – 35 carries 1 mark each. Write your answers in the spaces provided. Give your answers in the units stated.

NOTE : THE FIGURES IN THIS SECTION ARE NOT DRAWN TO SCALE.

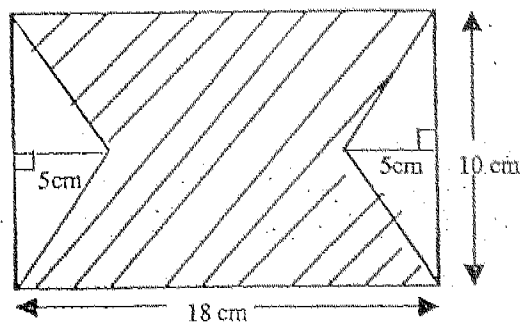
16. How many hundreds are there in 684 000 ?

17. $85 - 5 \times 12 + 4 \div 2 =$

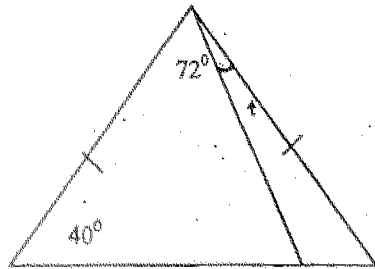
The answer in the box is _____

18. Simplify $\frac{3}{4} \div \frac{5}{12}$

19. Find the area of the shaded region of the figure below.

 cm²

20. Based on the figure below, find $\angle t$.



21. A sum of money was shared between Jeanette and Joycelyn in the ratio 3 : 4. If Joycelyn received \$60, how much was the sum of money?

22. In the numerals 39 124 and 24 839, what is the difference between the values of the digit 3?

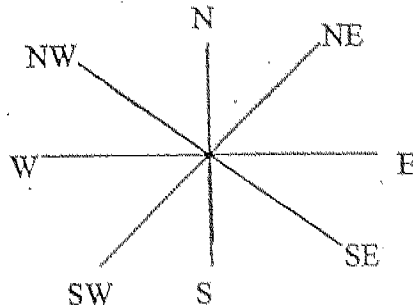
23. Find the missing digit in the box.

$$\begin{array}{r} 2 \boxed{?} 5 \\ \times \quad 30 \\ \hline 7350 \end{array}$$

24. Mei Xin used $6\frac{5}{6}$ kg of flour to make a durian cake and $1\frac{2}{3}$ kg of flour to make a blueberry cake. How many kilograms of flour did she use in all?

25. A rectangle has an area of 315 cm^2 . If the ratio of its length to its breadth is $7 : 5$, what is its perimeter?

26.



I am facing West. If I turn 135° anticlockwise, I will be facing _____.

27. Raju, Gerald and Jia Jun shared 153 stamps in the ratio $2 : 3 : 4$. How many more stamps did Jia Jun receive than Raju?

28. The sum of 4 258 and 15 864 when rounded off to the nearest thousand is _____.

29. Sally had 5 750 green beads and 3 725 yellow beads. She gave 1 050 of them to her friends and packed the rest equally into 25 packets. How many beads were there in each packet?

30. $\frac{\square}{12}$ of 5 hours = 125 mins. The \square stands for _____.

31. $258 \times 30 = \square \div 3$. The missing number in the box is _____.

32. $7\frac{7}{12} - 3\frac{3}{4} = 2 + \square$

The missing fraction in the box is _____.

33. When I divide a number by 50, the quotient is 25 and the remainder is 12. What is the number?

$\frac{3}{5} \times 10$ is the same as $\frac{1}{3} \div \square$. The missing number in the box is _____.

35. $\frac{7}{10}$ of a group of pupils are boys. There are 36 more boys than girls. How many pupils are there in the group?

pupils

Section C (55 marks)

For each question from 36 – 50, show your working clearly in the space below it. Write your answers in the spaces provided. Marks will be awarded for correct working.

State the units in your answers.

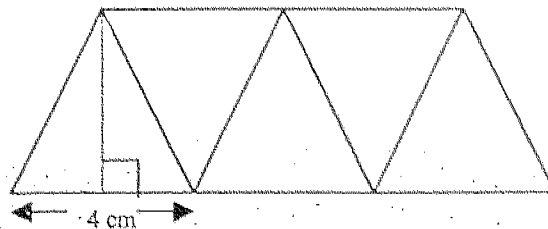
The number of marks available is shown in the brackets at the end of each question or part question.

NOTE : THE FIGURES IN THIS SECTION ARE NOT DRAWN TO SCALE.

36. String A is 240 cm long, String B is 30 cm long and String C is 10 cm longer than String B. How many times is String A as long as String C ?

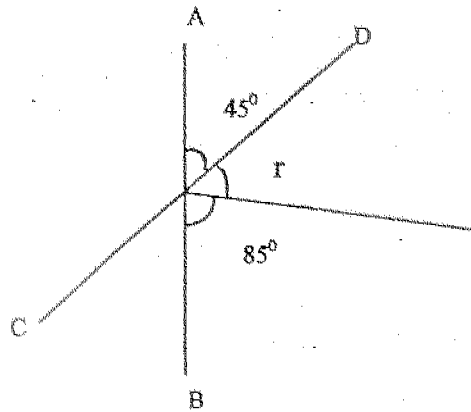
Ans: _____ (2m)

37. The figure below is made up of 5 identical triangles. The base of each triangle is 4 cm. If the area of the whole figure is 50 cm^2 , what is the height of each triangle?



Ans: _____ (2m)

38. In the figure shown below, AB and CD are straight lines. Find $\angle r$.

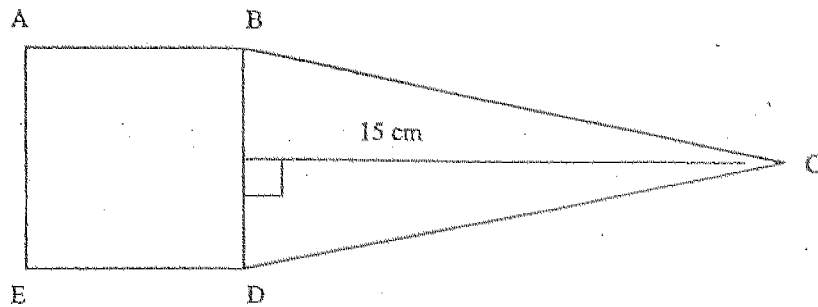


Ans : _____ (2m)

39. After Magdalene spent $\frac{5}{8}$ of her money and Lily spent $\frac{3}{4}$ of her money, each of them had equal amount of money left. If Lily had \$30 more than Magdalene, how much money had each of them left?

Ans : _____ (3m)

40. ABDE is a square with a perimeter of 48 cm. Find the area of the figure ABCDE.



Ans : _____ (3m)

41. Siti and Germaine shared some sweets in the ratio 4 : 7. If Siti had 36 sweets fewer than Germaine, how many sweets would Germaine have to give to Siti so that they had the same number of sweets ?

Ans : _____ (3m)

42. James had 4 092 marbles and beads. He packed the marbles into 22 boxes and the beads into 40 boxes. There were equal number of marbles and beads in each box.

- (a) How many marbles were there in each box?
- (b) James sold each marble at \$ 0.50. How much money would he receive if he sold all the marbles?

Ans : (a) _____ (2m)

Ans : (b) _____ (2m)

43. Sammy is 12 years younger than his brother. $\frac{1}{2}$ of his age is equal to $\frac{1}{5}$ of his

brother's age. How old will his brother be in 5 years' time?

Ans : _____ (4m)

44.

Julie and Paula shared some stickers in the ratio 3 : 5. They bought another packet of stickers and Julie took 90 new stickers while Paula took 30 new stickers. The ratio of Julie's stickers to Paula's is now 5 : 7. Find the number of stickers Julie had at first.

Ans: _____ (4m)

45

There are some apples to be distributed to some children. If each child gets 3 apples, there will be 32 apples left. If each child gets 5 apples, there will be 4 apples left.

(a) Find the number of children.

(b) Find the number of apples.

Ans: (a) _____ (2m)

Ans: (b) _____ (2m)

46. Shirts were sold at 3 for \$57 and blouses at 2 for \$26 in a shop. Mrs Lim bought a ¹²dozen shirts and a few blouses. She gave the cashier \$400 and her change was \$42. How many blouses did she buy?

Ans : _____ (4m)

- ④. After $\frac{1}{2}$ of the men and $\frac{1}{3}$ of the women left the exhibition hall, there were still 200 adults in the hall. When another 50 women left the exhibition hall, there were only $\frac{1}{4}$ of the original number of women left in the hall. How many adults were there in the exhibition hall at first?

Ans : _____ (5m)

48. Matthew had \$48 more than Keith. Loy had \$24 and found that he had $\frac{2}{5}$ of what Matthew had. How much money did they have altogether?

Ans : _____ (5m)

49. There were 270 workers altogether in teams A, B and C. Due to work requirement, 15 workers were transferred from each of the teams A and B to team C. The ratio of the number of workers in teams A, B and C is now 1 : 3 : 2. Find the original number of workers in team C.

Ans : _____ (5m)

50. The ratio of the number of red balls to the number of blue balls in a bag was 4 : 7. When 6 blue balls were removed and 3 more red balls were introduced into the bag, there were as many red balls as blue balls.

- (a) How many red balls were there in the bag at first ?
- (b) How many blue balls were left in the bag then ?

Ans (a) : _____ (3m)

Ans (b) : _____ (2m)

22

16) 6840

36) 6 times

17) 27

37) 5cm

18) $\frac{4}{5}$

38) 50°C

19) 130 cm²

39) \$22.50

20) 28°C

40) 234 cm²

21) \$105

41) 18 sweets

22) 29970

42) a) \$66 marbles

23) 4

b) \$726.00

24) 8 $\frac{1}{2}$ kg

43) 25

25) 72 cm

44) 360 stickers

26) South East

45) 74

27) 34

46) 10 blouses

28) 20000

47) 360

29) 337 beads

48) \$96

30) 5

49) 60

31) 23 220

50) a) 12 red balls

32) $\frac{5}{6}$

b) 15 blue balls

33) 1262

34) $\frac{1}{18}$

35) 90 pupils