

Name : 8727 ()

12 May 2004

Class : P 5 _____



CATHOLIC HIGH SCHOOL

PRIMARY FIVE

MID-YEAR EXAMINATION

MATHEMATICS

EM1 / EM2

BOOKLET A

15 questions

25 marks

Total Time For Booklets A and B : 2 h 15 min

INSTRUCTIONS TO CANDIDATES

Do not open this booklet until you are told to do so.

Follow all instructions carefully.

Answer all questions.

Questions 1 to 5 carry 1 mark each. Questions 6 to 15 carry 2 marks each.
For each question, four options are given. One of them is the correct answer.
Make your choice (1, 2, 3 or 4). **Shade the correct oval on the Optical Answer Sheet.**
(25 marks)

1. In which of the following is the digit 6 in the ten thousands place?

- (1) 2 651 400
 - (2) 4 836 200
 - (3) 6 230 450
 - (4) 8 064 380
-

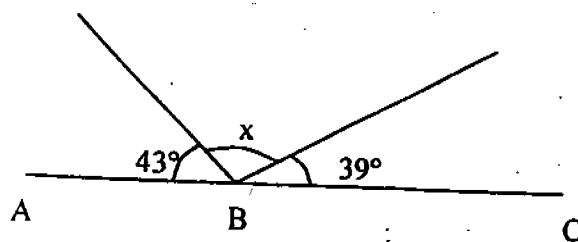
2. $\frac{1}{2} \div 3 =$ _____

- (1) $\frac{1}{5}$
 - (2) $\frac{1}{6}$
 - (3) $\frac{2}{3}$
 - (4) $1\frac{1}{2}$
-

3. A pizza was shared equally among 7 children. 3 children did not eat their share of the pizza. What fraction of the pizza was eaten?

- (1) $\frac{1}{7}$
 - (2) $\frac{3}{7}$
 - (3) $\frac{4}{7}$
 - (4) $\frac{7}{4}$
-

4. In the following figure, not drawn to scale, ABC is a straight line.
 $\angle x$ is _____.



- (1) 18°
- (2) 98°
- (3) 137°
- (4) 141°

-
5. In the sum of 4.61 and 9.68, the digit _____ of the answer is in the tenths place.

- (1) 1
- (2) 2
- (3) 6
- (4) 9

-
6. 17 hundredths $\times 4 =$ _____

- (1) 0.68
- (2) 6.8
- (3) 68
- (4) 680

-
7. Find the value of $60 + (48 - 18) \div 5 \times 2$.

- (1) 9
- (2) 36
- (3) 63
- (4) 72

8. Which one of the following is correct?

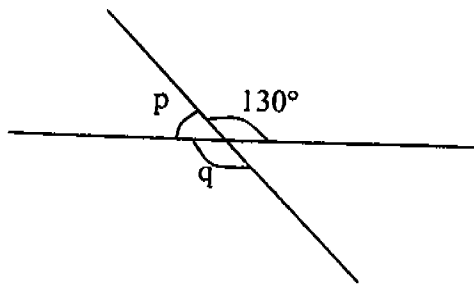
(1) $5\frac{2}{3} = \frac{5 \times 3 + 2}{3}$

(2) $3\frac{1}{3} = 3 + 1 \div 3$

(3) $2\frac{5}{8} = (2 + 5) \div 8$

(4) $1\frac{3}{5} = 1 \times 3 \div 5$

9. In the following figure, not drawn to scale, the difference between $\angle p$ and $\angle q$ is _____.



(1) 50°

(2) 80°

(3) 130°

(4) 180°

10. What is the value of $240 \div 100$?

(1) 0.24

(2) $\frac{1}{24}$

(3) $2\frac{2}{5}$

(4) 24

11. Robert has twice the savings that Angie has. Kasim's savings is thrice the total of Robert's and Angie's savings. What is the ratio of Kasim's to Robert's to Angie's savings?

- (1) 1 : 2 : 3
 - (2) 2 : 6 : 1
 - (3) 6 : 2 : 1
 - (4) 9 : 2 : 1
-

12. If you are facing East, you will be facing _____ after turning 135° clockwise.

- (1) North
 - (2) South-East
 - (3) North-West
 - (4) South-West
-

13. Gui Lian left her house at 6.20 a.m. to take a bus and reached school at 7.25 a.m. She waited 15 min for the bus and the bus journey was 35 min. How long did she take to travel from her house to the bus stop and from the bus-stop to the school?

- (1) 5 min
 - (2) 15 min
 - (3) 50 min
 - (4) 1 h 5 min
-

14. After giving \$10 to Sam, Dylan had 3 times ^{as much} ~~more~~ money ^{as} ~~than~~ Sam. If they have \$220 altogether, how much money did Dylan have at first?

- (1) \$155
 - (2) \$157.50
 - (3) \$165
 - (4) \$175
-

15. Nancy spent \$36 on a handbag and $\frac{3}{4}$ of the remainder on a blouse. If she had \$12 left, find the amount of money she had at first.

- (1) \$48
 - (2) \$60
 - (3) \$72
 - (4) \$84
-

Name : _____ ()

12 May 2004

Class : P 5 _____



CATHOLIC HIGH SCHOOL

PRIMARY FIVE

MID-YEAR EXAMINATION

MATHEMATICS

EM1 / EM2

BOOKLET B

35 questions

75 marks

Total Time For Booklets A and B : 2 h 15 min

INSTRUCTIONS TO CANDIDATES

Do not open this booklet until you are told to do so.

Follow all instructions carefully.

Answer all questions.

Marks obtained for Booklet A	25
Marks obtained for Booklet B	75
Total Marks	100

Questions 16 to 35 carry 1 mark each. Write your answers in the space provided.
Give your answers in the units stated.

(20 marks.)

Do not write
in this space

16. Express $\frac{3}{8}$ as a decimal.

Answer: _____

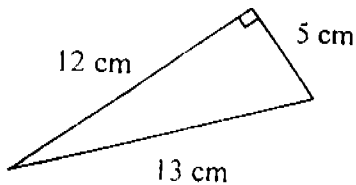
17. Find the area of a rectangle which measures $\frac{7}{9}$ m by $\frac{3}{4}$ m. Leave your answer as a fraction in its lowest form.

Answer: _____ m²

18. If $\frac{2}{3}$ of a cake is divided equally among 6 boys, what fraction of the cake does each boy get? Leave your answer as a fraction in its lowest term.

Answer: _____

19. Find the area of the following triangle.



Answer: _____ cm²

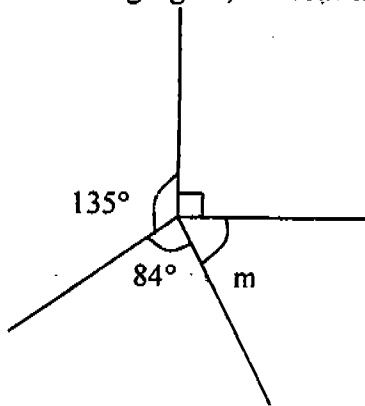
SCORE

20. The price of a handphone is \$368 while that of a pager is \$28. What is the ratio of the price of the pager to the price of the handphone in the simplest form?

Do not write
in this space

Answer: _____

21. In the following figure, not drawn to scale, find $\angle m$.



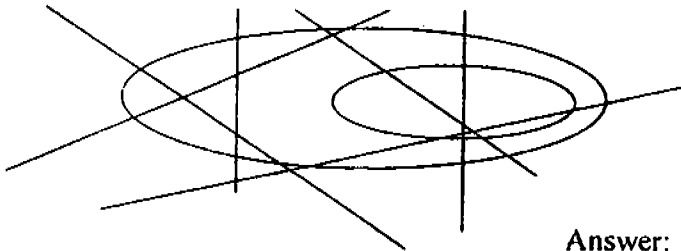
Answer: _____°

22. What is the missing number in the box below?

$$8 \times 2.9 = 2.9 + 2.9 + 2.9 + 2.9 \times \square$$

Answer: _____

23. How many pairs of parallel lines are there in the following diagram?

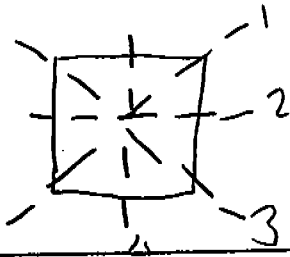


Answer: _____

SCORE

Do not write
in this space

24. How many lines of symmetry does a square have?



Answer: _____

25. Arrange the following in descending order.

$$\frac{7}{4}, 2.3, 1\frac{5}{6}, 2\frac{1}{2}$$

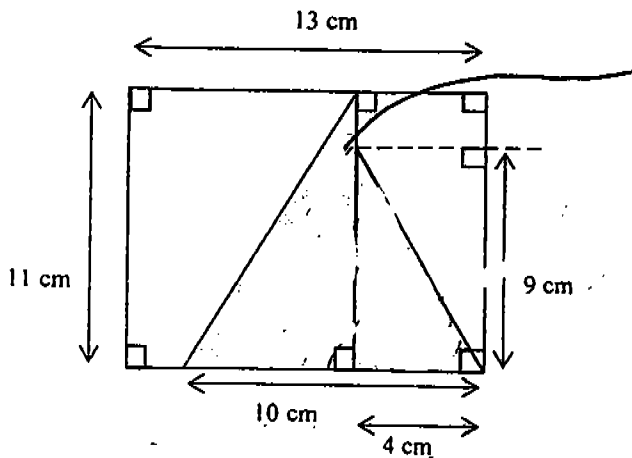
Answer: _____

26. Mrs. Lim had $1\frac{1}{2}$ kg of flour at first. Then she bought another $2\frac{1}{4}$ kg of flour. After using $2\frac{5}{6}$ kg of flour to make a cake, how much flour was left? Give your answer in its simplest form.

Answer: _____ kg

SCORE

27. Find the shaded area in the following figure.

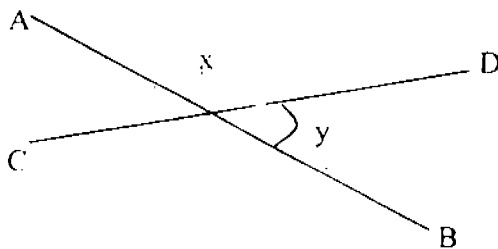


Answer: _____ cm²

28. A sum of money is shared among Andy, Bashir and Cindy in the ratio 2 : 3 : 4. If Bashir gets \$216, how much is the sum of money?

Answer: \$ _____

29. In the following figure, not drawn to scale, AB and CD are straight lines. If $\angle x$ is thrice of $\angle y$, find $\angle x$.



Answer: _____ °

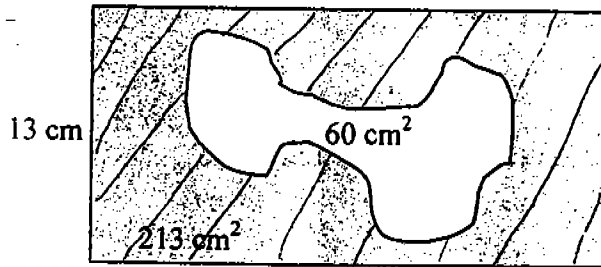
SCORE

30. Ahmad needs to pour 3.54 l of orange juice equally into 5 containers. What is the amount of orange juice in each container? Express your answers in ml.

Do not write in this space

Answer: _____ ml

31. The area of the shaded part below is 213 cm^2 and the unshaded area is 60 cm^2 . Find the length of the rectangle.



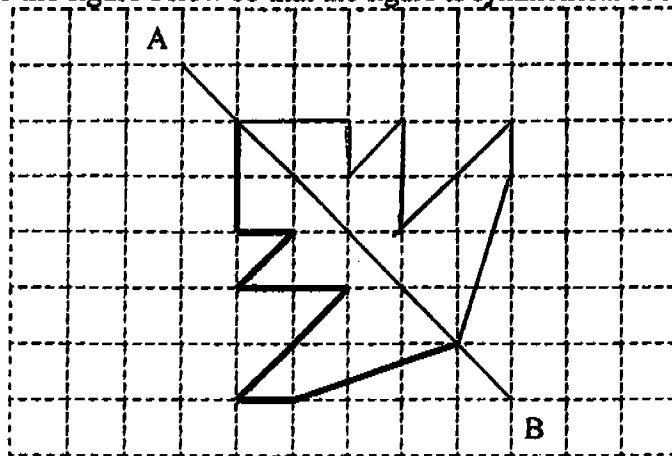
Answer: _____ cm

32. A number consists of 3 different digits. The first and third digits of the number are both exactly divisible by 2. The third digit of the number is twice the value of its second digit. The first digit is 1 more than the second digit. What is the number?

Answer: _____

SCORE

33. Complete the figure below so that the figure is symmetrical about the line AB.



Do not write in this space

34. Shaun, Benjamin and Nicholas share a sum of money. Benjamin's share is $\frac{2}{9}$ of the sum of money. Shaun's share is half of what Benjamin and Nicholas receive. What fraction of the sum of money is Nicholas' share?

Answer: _____

35. When Hui Hui weighed 75 kg, the ratio of Irwin's weight to Hui Hui's weight was 6 : 5. They went on a diet program and Irwin lost 30 kg. How much weight must Hui Hui lose so that the ratio of Irwin's weight to Hui Hui's weight remains the same?

Answer: _____ kg

SCORE

For questions 36 to 50, show your working clearly in the space below each question and write your answers in the spaces provided. The number of marks available is shown in brackets [] at the end of each question or part-question. (55 marks)

36. Mr Tan had 23 packets of 56 beads. If he used 1250 beads, how many beads had he left?

Do not write in this space

Answer: _____ [2]

37. Peter earns \$1500 every month. If he spends $\frac{3}{5}$ of his salary and saves $\frac{1}{3}$ of the remainder, how much does he save every month?

Answer: _____ [2]

SCORE

38. The weight of a basket and 10 mangoes was 7.25 kg. When 5 mangoes were removed from the basket, the total weight was reduced to 4.75 kg. Find the weight of the basket.

Do not write
in this space

Answer: _____ [2]

39. Jenny bought 16 cartons of oranges. There were 12 oranges in each carton. She threw away 32 rotten oranges and packed the rest into packets of 8. How many packets of oranges did she pack in all?

Answer: _____ [3]

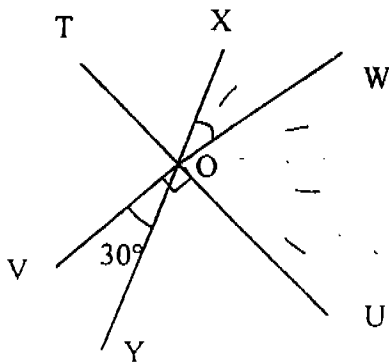
SCORE

40. When Aik Chin started to do his Math homework, his watch showed the time as 11.45 a.m. He took 7 minutes per word problem and completed 8 problem sums. If his clock was 10 min slower than his watch, what time would it show on his clock when Aik Chin finished the 8 problem sums?

Do not write
in this space

Answer: _____ [3]

41. In the figure below, TOU and XOY are straight lines. $\angle VOU$ is a right angle and $\angle VOY$ is 30° . If $\angle XOW$ is $\frac{1}{4}$ that of $\angle WOU$, find $\angle XOW$.



Answer: _____ [3]

SCORE

42. The length of a rectangle is five times that of its breadth. The perimeter of the rectangle is 96 cm.

(a) Find the area of the rectangle.

(b) The side of a square is half the length of the rectangle. Find the area of the square.

Do not write
in this space

Answer: (a) _____ [3]

(b) _____ [1]

SCORE



43. A school had an enrolment of 1100 pupils. When 60 boys and $\frac{3}{8}$ of the girls were absent, the number of girls present was equal to the number of boys present. How many more girls than boys were there in the school?

Do not write
in this space

Answer: _____ [4]

SCORE

44. Florence has \$30 which is made up of 65 coins. 38 are 50-cent coins and the rest are 20-cent and \$1 coins. How many 20-cent coins does Florence have?

Do not write
in this space

Answer: _____ [4]

SCORE

45. Peter and David have \$90 altogether. Sharon and Karen have \$240 altogether. Peter and Sharon have the same amount of money. Karen has 4 times as much as David. How much does Peter have?

Do not write in this space

Answer: _____ [4]

SCORE

46. A sum of money was shared between Rahim and John in the ratio 2 : 5. John divided his share in the ratio 4 : 3 : 2 and gave them to Ahmad, Billy and Charles respectively. If Ahmad spent $\frac{1}{2}$ of his money and had \$20 left, what was the original sum of money that Rahim and John had?

Do not write
in this space

Answer: _____ [4]

SCORE

47. Muthu spent \$330 on some shirts and pants. A shirt cost \$10 and a pair of pants cost 4 times as much. If he bought 3 more shirts than pants, how many shirts did he buy?

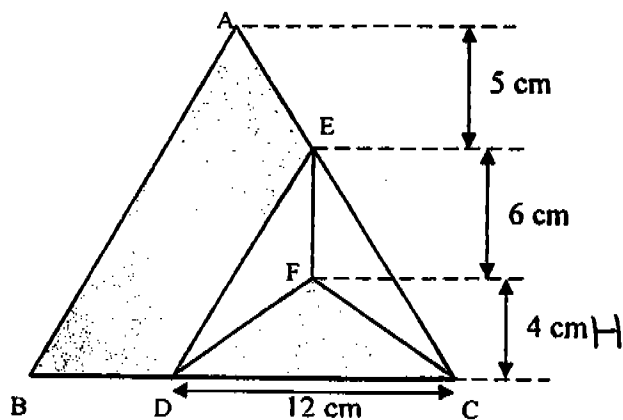
Do not write
in this space

Answer: _____ [5]

SCORE

48. In the following diagram, not drawn to scale, AEC and BDC are straight lines. Given that BC is 1.5 times DC, find the shaded area.

Do not write in this space



Answer: _____ [5]

SCORE

49. Jane and Sharon had \$600 altogether. Jane gave $\frac{1}{2}$ of her money to Sharon. Then, Sharon gave $\frac{1}{4}$ of the total amount she had to Jane. As a result, both of them had an equal amount of money. How much did Jane have at first?

Do not write
in this space

Answer: _____ [5]

SCORE

50. Freddy reared less than 10 guppies and Lucy reared between 10 to 20 guppies. The sum of thrice the number of guppies that Lucy had and twice the number of guppies that Freddy had was 60. If Lucy's guppies doubled in number and Freddy's guppies increased by another 4 times, Lucy would have 2 guppies more than Freddy. How many guppies did each of them have?

Do not write
in this space

Answer: Freddy : _____

Lucy : _____ [5]

--- END ---

SCORE

SM

CATHOLIC HIGH SCHOOL
PRIMARY FIVE
MID YEAR EXAMINATION
MATHEMATICS - 2004

- 1) 4
2) 2
3) 3
4) 2
5) 2
6) 1
7) 4
8) 2
9) 2
10) 3
11) 4
12) 4
13) 2
14) 4
15) 4
16) 0.375
17) $7/12$
18) $1/9$
19) 30
20) 7 : 92
21) 51
22) 5
23) 2
24) 4
25) $2 \frac{1}{2}$, $2/3$, $1 \frac{5}{6}$, $7/4$
26) $11/12$
27) 51 cm^2
28) 648
29) 135°
30) 708 ml
31) 21
32) 2
33)
34) $4/9$
35) 25
36) 38 beads
37) \$ 200
38) 2.25 kg
39) 20 packets
40) 12.31 p.m.
41) 24°
42) a) 320 cm^2
b) 400 cm^2
43) 180 more girls
44) 20 20-cents coins
45) \$ 40
46) \$ 126
47) 9 shirts
48) 99 cm^2
49) \$ 400
50) Freddy : 6 Lucy : 16

26