

Name : _____ ()

Class : Primary 5 _____

CHIJ ST NICHOLAS GIRLS' SCHOOL



Primary 5

First Semestral Assessment – 2007

Mathematics
Booklet A

7 May 2007

Duration of Paper : 2 hours 15 minutes

Do not open the booklet until you are told to do so.
Follow all instructions carefully.

64

STAR ZEST HOME TUITION TEL 63845607

Questions 1 to 10 carry 1 mark each. Questions 11 to 15 carry 2 marks each.

For each question, four options are given. One of them is the correct answer. Make your choice (1, 2, 3 or 4). Shade the correct oval (1, 2, 3 or 4) on the Optical Answer Sheet (OAS).

(20 marks)

- 1) The number of spectators at a football match is 640 000 when rounded off to the nearest 1 000 spectators. Which one of the following is the possible number of spectators at the match?

641 300

640 290

639 450

630 900

- 2) 3 hundred and 30 thousands is _____ thousands less than 4 million and 6 hundred thousands.

1) 4 600

2) 4 270

3) 1 570

4) 1 300

- 3) $7\,800 \div 6$ is the same as _____

1) $780\,000 \div 10\,000 \div 6$

2) $780\,000 \div 1\,000 \div 6$

3) $780\,000 \div 100 \div 6$

4) $780\,000 \div 10 \div 6$

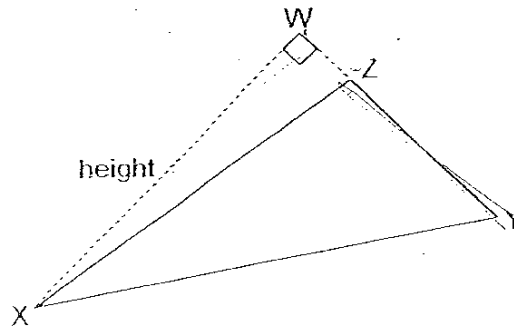
- 4) Wei Ming had 24 game cards. He gave 5 game cards to each of his 2 friends. How many game cards had he left?

65

5) What is the quotient of $7955 \div 26$?

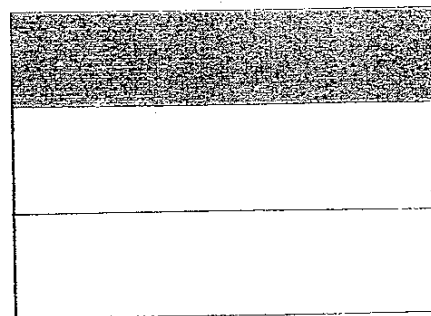
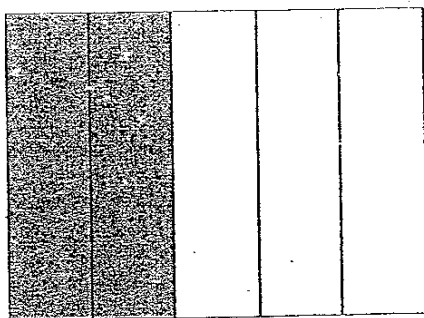
- 1) 350
- 2) 305
- 3) 35
- 4) 25

6) WX is the height of triangle XYZ. What is the base of triangle XYZ?



- 1) YZ
- 2) XY
- 3) XZ
- 4) WY

7) What is the sum of the shaded parts?



- 1) $\frac{11}{15}$
- 2) $\frac{4}{15}$
- 3) $\frac{3}{8}$
- 4) $\frac{3}{5}$

66

8) Subtract $2\frac{2}{3}$ from $3\frac{1}{4}$.

1) $\frac{5}{12}$

2) $\frac{7}{12}$

3) $1\frac{1}{3}$

4) $1\frac{5}{12}$

9) 5 kg of flour is packed equally into 3 bags. How much flour is in each bag?

1) $\frac{1}{5}$ kg

2) $\frac{3}{5}$ kg

3) $1\frac{2}{5}$ kg

4) $1\frac{2}{3}$ kg

10) $45 \div 18 = \boxed{?} \div 6$.

What is the missing number in the box?

1) 7

2) 15

3) 27

4) 33

11) A school wants to buy 62 computers at \$1 389 each. How much money must the school set aside for buying the computers?

1) \$36 114

2) \$66 118

3) \$83 340

4) \$86 118

67

12) What is the sum of $5\frac{1}{4}$ and $3\frac{3}{10}$?

1) $8\frac{3}{40}$

2) $8\frac{4}{14}$

3) $8\frac{10}{20}$

4) $8\frac{11}{20}$

13) During a sports training, the time taken by 4 runners were recorded in the table shown below. Who is the fastest runner?

	Time taken
Muthu	138 s.
Benny	$1\frac{3}{5}$ min
Xiaoming	$1\frac{3}{4}$ min
Jeffery	140 s

1) Muthu

2) Benny

3) Xiaoming

4) Jeffery

14) Dawn divided a piece of ribbon into 6 equal portions. She took 4 portions to wrap some gifts. In the end, she used only $\frac{1}{2}$ of the ribbons she had taken.

What fraction of the original piece of ribbon did she use to wrap the gifts?

1) $\frac{1}{6}$

2) $\frac{2}{3}$

3) $\frac{1}{3}$

4) $\frac{1}{2}$

68

- 15) Liwen packed some fruits into a box as shown in the table below. What is the ratio of the number of cherries to the total number of fruits?

	Number of fruits
Cherries	8
Mangoes	5
Oranges	4
Bananas	2

1) 4 : 8

2) 8 : 11

3) 8 : 19

4) 19 : 8

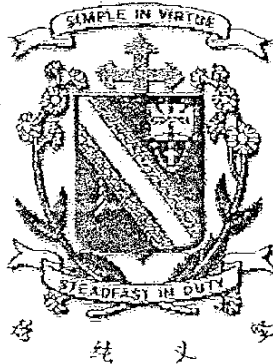
End of Section A

9

Name : _____ (- .)

Class : Primary 5 _____

CHIJ ST NICHOLAS GIRLS' SCHOOL



Primary 5

First Semestral Assessment – 2007

Mathematics
Booklet B

7 May 2007

Booklet A:	/ 20
Booklet B :	/ 80
Total Marks	/ 100

Parent's/Guardian's Signature

Duration of Paper : 2 hours 15 minutes

Do not open the booklet until you are told to do so.
Follow all instructions carefully.

70

Questions 16 to 25 carry 1 mark each. For each question, write your answers in the spaces provided. Give your answers in the units stated.

Do not write in this space.

(10 marks)

16) How many thousands are there in 9 632 000?

Ans : _____

17) $527\,649 = 500\,000 + \boxed{?} + 600 + 40 + 9$

What is the number in the box?

Ans : _____

18) In 8 640 931, the digit 6 is in the _____ place.

Ans : _____

19) Find the value of $48 + (27 - 3) \div 8$.

Ans : _____

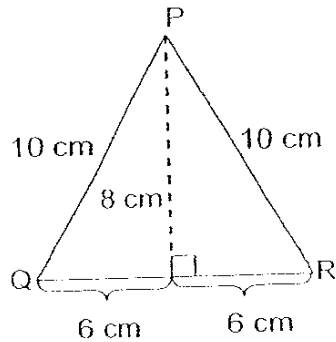
71

Do not write in this space.

20) In $483 \times 69 = 483 \times 70 + 483 \times \boxed{?}$, what is the missing number in the

Ans : _____

21) Find the area of triangle PQR.



Ans : _____ cm²

22) A tin contained $\frac{3}{4}$ l of oil. Mrs Wee used $\frac{1}{6}$ l of the oil to fry some chicken wings. How much oil was left in the tin?
Leave your answer as a fraction in its simplest form.

Ans : _____

Do not write in this space.

23) Find the numerator in the box.

$$9\frac{5}{8} = \frac{\boxed{?}}{40} + \frac{25}{40}$$

Ans : _____

24) Melvin completed a jigsaw puzzle in $2\frac{1}{5}$ h. How many minutes did he take to

Ans : _____ min

25) Aunt Anita bought 6 kg of crabs and 3 kg of prawns from the market. What is the ratio of the mass of prawns to the mass of crabs? Leave your answer in its simplest form.

Ans : _____

73

Questions 26 to 35 carry 2 marks each. Write your answers in the spaces provided. Give your answers in the units stated. (20 marks)

Do not write in this space.

26) Complete the number pattern.

745 340 , 745 090 , _____ , 744 590 , _____

Ans : _____

and _____

27) Mr Raja had 1 024 markers. He sold them in packets of 16 markers each. How much money would he receive if he sold each packet of markers at \$8?

Ans : \$ _____

28) Rohan gave $\frac{4}{5}$ of his game cards to his brother. His brother returned 13 of the game cards and Rohan ended up with 48 game cards. How many game cards had Rohan at first?

Ans : _____

74

4

Do not write in this space.

29) A 2-litre bottle was filled with $\frac{3}{8}$ of orange juice. Siti poured all the orange juice equally into 6 glasses. How many millilitres of orange juice did each glass contain?

Ans : _____ ml

30) Mr Tay's salary is $\frac{2}{5}$ of Mr Wong's salary. If Mr Tay earns \$1 368, how much does Mr Wong earn?

Ans : \$ _____

31) There are 112 children at a library. $\frac{3}{8}$ of them are boys and the rest are girls. How many more girls than boys are there?

75

Ans : _____



32) Nora bought 1 kg of beans. She poured $\frac{3}{10}$ kg of beans into some bags and $\frac{2}{5}$ of the remainder into a bottle. What was the mass of beans in the bottle?

Do not write in this space.

Ans: _____ kg

33) The perimeter of an equilateral triangle is $\frac{15}{17}$ m. Find the length of each side. Leave your answer in its simplest form.

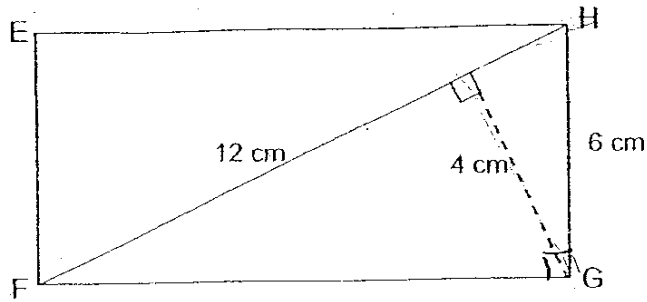
Ans: _____ m

76



Do not write in this space.

34) In rectangle EFGH, FH is 12 cm. Find the area of the rectangle.



Ans : _____ cm²

35) There are altogether 28 white and grey chairs in a classroom. If 10 of them are white, find the ratio of the number of white chairs to the number of grey chairs. Leave your answer in its simplest form.

Ans : _____

End of Section B

77



Do not write in this space.

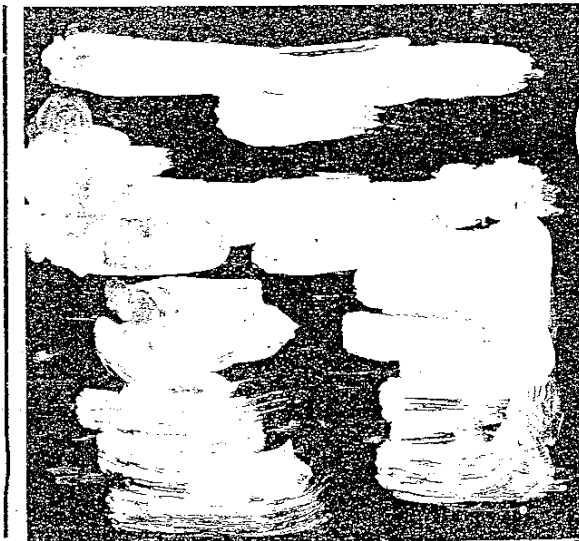
For questions 36 to 48, show your working clearly in the space below each question and write your answers in the space provided. The number of marks available is shown in the brackets () at the end of each question or part-question.

(50 marks)

- 36) Class 5A sold 3 times as many funfair coupons as Class 5B on Saturday. On Sunday, Class 5A sold another 75 coupons while Class 5B sold another 127 coupons. The total number of coupons sold by each class then became the same. Find the number of funfair coupons sold by Class 5A on Saturday.

Ans : _____ (3 m)

- 37) Mr Lee planned to collect \$80 000 from the sale of sofas in his furniture shop. At the end of the day, he collected \$7 460 less than his planned amount. If he sold 26 identical sets of sofas, what is the selling price of each sofa?



Ans : _____ (3 m)

78

- 38) Iris and Nelly received \$856 from their father. Iris received more money than Nelly. When Iris bought a gift for \$36 and Nelly received an additional \$38 from her mother, their amount of money became the same. How much money did Nelly receive from her father?

Do not write in this space.

Ans : _____ (3 m)

- 39) Ron jogged $1\frac{2}{5}$ km. His friend, Gopal, jogged $\frac{3}{4}$ km more. What is the total distance covered by the boys? Leave your answer in metres.

Ans : _____ (3 m)

40) Miss Yong went shopping with $\frac{4}{7}$ of her savings. She spent \$124 on a watch and had \$210 left. How much was her savings?

Do not write in this space.

Ans : _____ (3 m)

41) In a fish tank, there were 60 guppies and goldfish in all. $\frac{2}{3}$ of them were guppies and the rest were goldfish. If 10 more guppies were added into the tank, what fraction of the fish in the tank were guppies?

Ans : _____ (3 m)

80

42) The total mass of 4 watermelons and 3 pineapples is 4 620g. Each watermelon weighs twice as heavy as each pineapple. What is the mass of 7 watermelons?

Do not write in this space.

Ans : _____ (4 m)

81

43) Megan wanted to pack a box of crayons into some plastic bags. If she put 4 crayons into each bag, she would have 3 crayons left. If she put 5 crayons into each bag, she would be short of 3 crayons. How many crayons did she have in the box?

Do not write in this space.

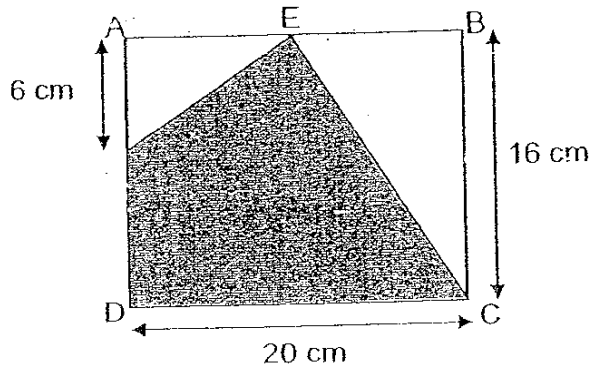
Ans : _____ (4 m)

82

0

Do not write in this space.

44) ABCD is a rectangle of sides 20 cm and 16 cm. Given that $AE = EB$, what is the area of the shaded part?



Ans _____ (4m)

83

45) In a factory, machine A is able to print 58 posters per minute. Machine B is able to print 12 more posters than machine A per minute. Find the total number of posters printed by both machines after 3 hours.

Do not write in this space.

Ans : _____ (5m)

84



46) A painter mixed some paint together to paint a house. He used $\frac{1}{3}$ of the paint on the first day and $\frac{5}{12}$ of the paint on the second day. On the third day, he used $\frac{5}{6}$ of the remaining paint and 4 l of paint was left. How much paint did the painter mix at first?

Do not write in this space.

Ans : _____ (5m)

85

47) Mrs Faridah sold $\frac{2}{5}$ of her curry puffs in the morning and $\frac{1}{2}$ of the remainder in the afternoon.

a) What fraction of the curry puffs was sold in the afternoon?

b) If she sold 96 curry puffs in the morning, how many curry puffs were left unsold?

Do not write in this space.

Ans : a) _____ (1 m)

b) _____ (4 m)

86

48) 3 bottles, A, B and C, were filled with water. Bottle A contained 5 times as much water as Bottle B. Bottle C contained $\frac{1}{3}$ as much water as Bottle B. If Bottle A contained 72 ml more water than Bottle B, how much water did all the 3 bottles contain in all?

Do not write in this space.

Ans : _____ (5 m)

87

End of Paper

CHIJ Primary School

Primary 5 Maths SA1 Exam (2007)

Answer Keys

Q1	Q2	Q3	Q4	Q5
2	2	3	3	2
Q6	Q7	Q8	Q9	Q10
1	1	2	4	2
Q11	Q12	Q13	Q14	Q15
4	4	2	3	3

16. 9632
17. 27000
18. hundred thousands
19. 51
20. 1
21. 48cm²
22. $\frac{7}{12}$ ¢
23. 360
24. 132min
25. 1 : 2
26. 744840 and 744340
27. \$512
28. 175
29. 125ml
30. \$3420
31. 28
32. $\frac{7}{25}$ kg
33. $\frac{5}{17}$ m
34. 48cm²
35. 5 : 9

36. $127 - 75 = 52$
 $2u \longrightarrow 52$
 $1u = 26$
 $26 \times 3 = 78$

37. \$2790

38. $38 + 36 = 74$
 $856 - 74 = 782$
 $782 \div 2 = \$391$

39. 3550m

40. $124 + 210 = 334$
 $4u = 334$
 $1u = 83.50$
 $7u = 83.50 \times 7$
 $= \$584.50$

41. $3u = 60$
 $1u = 20$
 $2u = 20 \times 2$
 $= 40$
 Guppies = $40 + 10$
 $= 50$
 Fraction = $\frac{50}{70}$
 $= \frac{5}{7}$

42. 11 small units = $4620 \div 11 = 420$
 8 small units = $420 \times 8 = 3360$
 14 small units = $420 \times 14 = 5880g$

43. She has 27 crayons

44. Area of A = $\frac{1}{2} \times 10 \times 6 = 30$
 Area of B = $\frac{1}{2} \times 16 \times 10 = 80$
 Total area = $16 \times 20 = 320$
 Shaded area = $320 - 80 - 30$
 $= 210cm^2$

45. 23040

46. 96l

47a. $\frac{3}{10}$

47b. $4u = 96$
 $1u = 24$
 $3u = 24 \times 3$
 $= 72$

48. $4u = 72$
 $1u = 18$
 $A = 18 \times 5 = 90$
 $B = 18$
 $C = 18 \div 3 = 6$
 $\text{Total} = 90 + 18 + 6$
 $= 114\text{ml}$