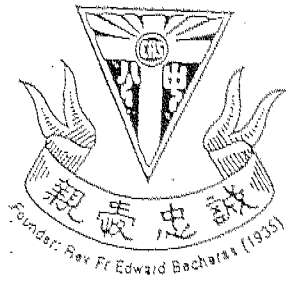


Name : _____ ()

25 August 2004

Class : P 5 _____



CATHOLIC HIGH SCHOOL
PRIMARY FIVE
CONTINUAL ASSESSMENT 2
MATHEMATICS
EM1 / EM2
BOOKLET A

15 questions

25 marks

Total Time For Booklets A and B : 2 h 15 min

INSTRUCTIONS TO CANDIDATES

Do not open this booklet until you are told to do so.

Follow all instructions carefully.

Answer all questions.

Questions 1 to 5 carry 1 mark each. Questions 6 to 15 carry 2 marks each.

For each question, four options are given. One of them is the correct answer.
Make your choice (1, 2, 3 or 4). Shade the correct oval on the Optical Answer Sheet.
(25 marks)

1. What is five million and twenty-five thousand, three hundred and five in numerals?

- (1) 5 025 305
- (2) 5 025 350
- (3) 5 250 305
- (4) 5 253 005

2. Which of the following is not a common factor of 4 and 8?

- (1) 1
- (2) 2
- (3) 8
- (4) 4

3. Add $\frac{1}{3}$ and $\frac{2}{5}$.

- (1) $\frac{3}{5}$
- (2) $\frac{3}{8}$
- (3) $\frac{3}{15}$
- (4) $\frac{11}{15}$

4. In the decimal 6.752, the digit 2 is in the _____ place.

- (1) tenths
- (2) thousands
- (3) hundredths
- (4) thousandths

5. Water is lost through a leaking tap at a constant rate of 10 ml per min. How much water will be lost in 1 hour?

(1) $\frac{1}{6} \text{ ml}$

(2) 60 ml

(3) 100 ml

(4) 600 ml

6. $2\frac{3}{4} \text{ km} = \underline{\hspace{2cm}} \text{ m}$

(1) 2.75

(2) 275

(3) 1500

(4) 2750

7. 7 identical footballs cost \$147.28. What is the cost of a dozen of such footballs?

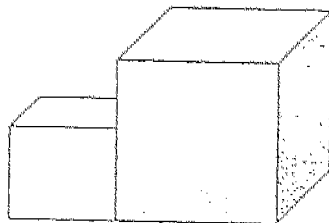
(1) \$21.04

(2) \$126.24

(3) \$252.48

(4) \$256.80

8. What is the volume of the following figure (not drawn to scale) which is made up of a 3-cm cube and a 6 cm by 4 cm by 5 cm cuboid?



(1) 27 cm^3

(2) 120 cm^3

(3) 129 cm^3

(4) 147 cm^3

9. Mrs Tan bought 2 identical pairs of shoes and 5 identical pairs of socks for \$47. If each pair of shoes cost \$16, how much did one pair of socks cost?

- (1) \$3.00
- (2) \$6.20
- (3) \$15.00
- (4) \$15.50

10. _____ + 10.836 = 1.73 x 28

- (1) 37.604
- (2) 37.616
- (3) 59.276
- (4) 77.604

11. Express $\frac{3}{5}$ as a percentage.

- (1) 20%
- (2) 30%
- (3) 50%
- (4) 60%

12. The ratio of Katie's height to Henry's height is 9 : 13. Henry is 0.56 m taller than Katie. Henry's height is _____ m.

- (1) 0.56
- (2) 0.81
- (3) 1.26
- (4) 1.82

13. 100 x _____ is 3.98 more than 4.92.

- (1) 0.089
- (2) 0.89
- (3) 8.9
- (4) 890

14. The ratio of the number of red marbles to blue marbles to yellow marbles in a box is 5 : 1 : 2. If there are 80 red marbles in the box, how many more red marbles than yellow marbles are there?

- (1) 16
 - (2) 48
 - (3) 64
 - (4) 112
-

15. In a shop, the amount of goods sold was \$8000 in January. This was 80% of the sales in February. The sales increased by 20% in March compared to February. Express January sales as a percentage of March sales.

- (1) 40%
 - (2) $66\frac{2}{3}\%$
 - (3) 100%
 - (4) 150%
-

Questions 16 to 35 carry 1 mark each. Write your answers in the space provided.
Give your answers in the units stated.

Do not write
in this space

(20 marks)

16. Find the value of $100 - (4 + 16 \times 3) + 54 \div 9$.

Answer : _____

17. $80 \text{ ml} = \boxed{} \text{ l}$. The missing decimal in the box is _____.

Answer : _____

18. The average cost of 3 cakes is \$24.90. What is the total cost?

Answer : \$ _____

19. A van travels 138 km on 12 l of petrol. What was the distance covered for 1 l of petrol?

Answer : _____ km

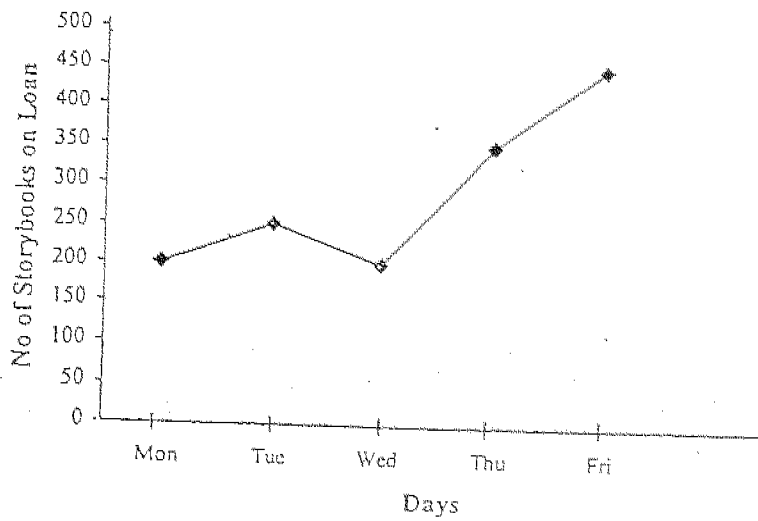
SCORE

20. Express 4% as a fraction in its simplest term.

Do not write
in this space

Answer : _____

Study the graph below and answer Questions 21 and 22.
The line graph shows the daily loan of story books from a school library over 5 days.



21. On which day was 350 story books borrowed from the library?

Answer : _____

22. How many more books were borrowed on Friday than on Monday?

Answer : _____

SCORE

Do not write
in this space

23. Find the missing whole number in the following number pattern:

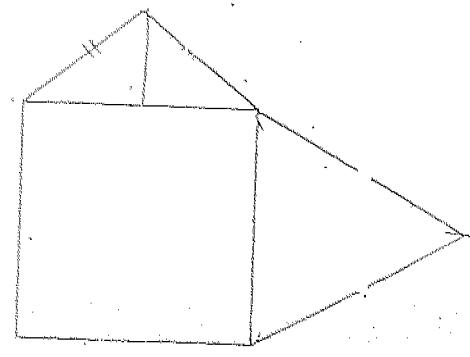
2, 20, _____, 100, 50, 500, 250, 2500

Answer : _____

24. Mdm Shanti had a cake weighing $\frac{3}{4}$ kg. She cut it into 8 equal slices. What was the weight of each slice? Give your answer as a fraction in its simplest form.

Answer : _____ kg

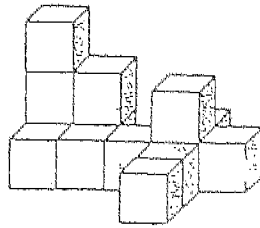
25. Look at the diagram (not drawn to scale) below. It is made up of an equilateral triangle, an isosceles triangle and a 8-cm square. The perimeter of the square is 2 times the area of the isosceles triangle and the same as the area of the equilateral triangle. Find the area of the figure.



Answer : _____ cm²

SCORE

26. The solid below is made up of 2-cm cubes. What is the volume of the solid?



Answer : _____ cm^3

27. John has thrice as many stamps as David and Peter has half as many stamps as John. Find the ratio of the number of stamps John has to their total number of stamps.

Answer : _____

28. The ratio of Mary's weight to her mother's weight is 4 : 9. If Mary is 30 kg lighter than her mother, how heavy is her mother?

Answer : _____ kg

29. Devi had a ribbon of length 5 m. She used 40% of it to tie a present and 20% of the remainder to decorate a window. What was the length of ribbon left?

Answer : _____ m _____ cm

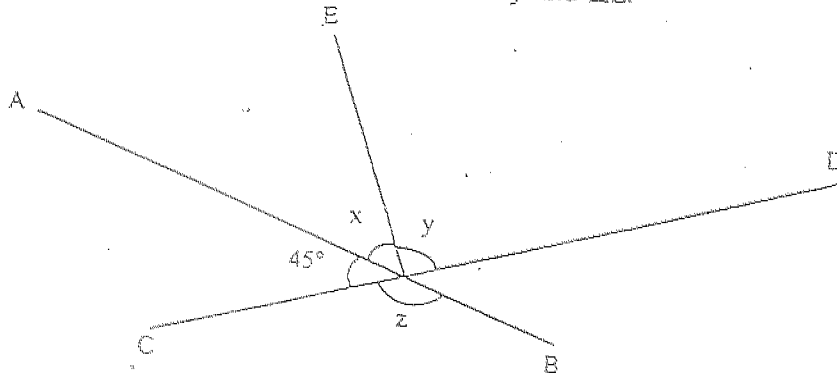
SCORE

Do not write
in this space

30. Mrs Tan weighed 80 kg last year. She lost weight and is now 68 kg. If she had wanted to lose 20% of her weight, how much more weight must she lose?

Answer : _____ kg

31. Look at the following figure (not drawn to scale). AB and CD are straight lines. $\angle y$ is twice the size of $\angle x$. Find the sum of $\angle y$ and $\angle z$.



Answer : _____

32. Along a road, there were 10 lamp-posts in a row at equal distance apart. The distance between the first and the third lamp-post was 15 m. Calculate the distance between the first and the tenth lamp-post.

Answer : _____ m

SCORE

Do not write
in this space

33. Marianne paid \$12 for 4 curry puffs and 3 chicken pies. Each chicken pie cost twice as much as each curry puff. The cost of 2 chicken pies is _____

Answer : \$ _____

34. The total capacity of containers A, B and C is 41.28 l. Container A can hold 2.16 l of water more than Container B. Container C can hold twice as much water as Container A. The capacity of Container B is _____

Answer : _____ l

35. Miss Segara went to the market to buy exactly 40 apples for her class. The apples were priced at 40 cents each or in bags of 6 at \$2 per bag. What was the smallest amount of money that Miss Segara could have spent on the apples?

Answer : \$ _____

SCORE

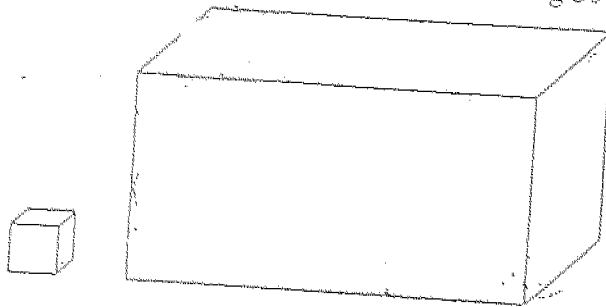
For Questions 36 to 50, show your working clearly in the space below each question and write your answers in the spaces provided.
The number of marks available is shown in brackets [] at the end of each question or part-question. (55 marks)

36. Jenny and Alice had 800 beads. Jenny had 4 times as many beads as Siti. If Siti had 156 beads, how many beads did Alice have?

Do not write in this space

Answer : _____ : [2]

How many 4-cm cubes can be put into a tank measuring 30 cm by 12 cm by 20 cm?



Answer : _____ : [2]

SCORE

Do not write
in this space

38. Shop Y sells a shirt at \$80 but shop Z sells it at \$72. How much money will Ramli save if he buys the shirt at shop Y with a 15% discount instead of at shop Z?

Answer : _____ [2]

39. A photograph measuring 18 cm by 13 cm, was pasted onto a cardboard, leaving a uniform width of 3 cm all around it. Calculate the area of the cardboard that was not covered by the photograph.

Answer : _____ [3]

SCORE

Do not write
in this space

40. Peter had \$25 left after he spent $\frac{1}{3}$ of his money on some books and $\frac{1}{6}$ of the remaining money on a toy. How much did he spend altogether?

Answer : _____ [3]

41. Barney is paid \$6 per hour. He gets 1.5 times the normal pay when he works overtime. Normally, he works 8 hours per day. On a particular day, he worked 4 hours overtime. How much pay did he get for that day?

Answer : _____ [3]

SCORE

Do not write
in this space

42. At a fun fair, $\frac{1}{3}$ of the visitors were men, $\frac{2}{7}$ were women and the rest were children. If there were 32 more children than women, what was the total number of visitors at the fun fair?

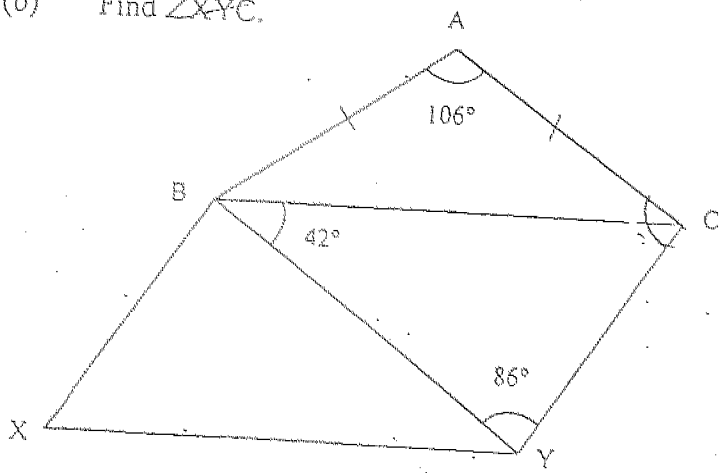
Answer : _____ [4]

SCORE

Do not write
in this space

43. Look at the following diagram (not drawn to scale) which is made up of an isosceles triangle ABC and a parallelogram XYCB.

- (a) Find $\angle ACY$.
- (b) Find $\angle XYC$.



Answer : (a) _____ [2]

(b) _____ [1]

SCORE

Do not write
in this space

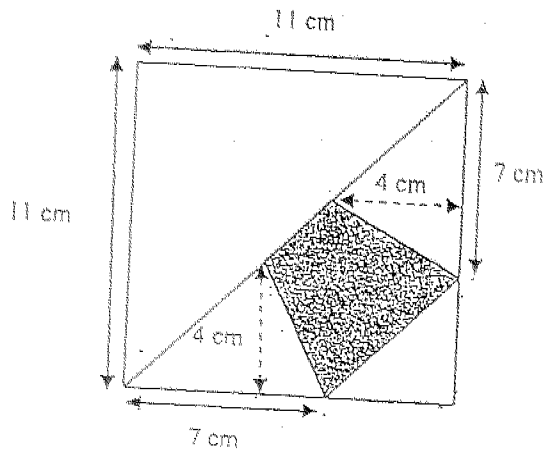
44. Raju, Timothy, Joshua and Nicholas had an average of 9 computer games. Raju had 13 games. The total number of computer games that Timothy and Joshua had was 3 more than the number of computer games that Nicholas had. How many computer games did Nicholas have?

Answer : _____ [4]

SCORE

45. What is the area of the shaded part in the square (not drawn to scale) below?

Do not write in this space



Answer : _____ [4]

SCORE

46. 40 pupils shared a bag of sweets. Each boy received 3 sweets and each girl received 2 sweets. If the boys received 40 more sweets than the girls, how many boys were there?

Do not write
in this space

Answer : _____ [4]

SCORE

Do not write
in this space

47. The cost of an orange was $\frac{1}{3}$ that of a papaya. John spent $\frac{5}{7}$ of his money on 4 oranges and 12 papayas. He then used the rest of his money to buy 2 more papayas and some more oranges. How many oranges did he buy in all?

Answer : _____ [5]

SCORE

48. Mona paid \$32.80 for 61 pens and erasers. She gave 3 erasers to her brother. She then had an equal number of pens and erasers. Each pen cost 50 cents more than an eraser. How much did she pay for the pens?

Do not write
in this space

Answer : _____ [5]

SCORE

Do not write
in this space

49. The ratio of the length to the breadth of Rectangle X is 5 : 1. The ratio of the length to the breadth of Rectangle Y is 4 : 3. The ratio of the perimeter of Rectangle X to the perimeter of Rectangle Y is 3 : 7. Find the ratio of the area of Rectangle X to the area of Rectangle Y.

Answer : _____ [5]

SCORE

- 50 a) A famine occurred in a village of Bragu and it needed 100 000 kg of rice. However, only 80% of the total amount of rice required was sent to Bragu. Out of the amount sent, 10% of it was spoilt and $\frac{1}{6}$ of the remaining amount was lost. What percentage of the total amount of rice required was the village still short of?
- b) A company decided to send some rice to meet the shortage in (a). Assuming that the same proportion of the rice will be spoilt and lost, what percentage of the original total amount of rice required need to be sent?

Answer: (a) _____ [3]

(b) _____ [2]

SCORE

CATHOLIC HIGH SCHOOL
CONTINUAL ASSESSMENT 2, 2004
PRIMARY FIVE
MATHEMATICS

CA2

- | | |
|--------------|--------------------------|
| 1) 1 | 28) 54 |
| 2) 3 | 29) 2 m 40 cm |
| 3) 4 | 30) 4 |
| 4) 4 | 31) 225 |
| 5) 4 | 32) 67.5 |
| 6) 4 | 33) 4.80 |
| 7) 3 | 34) 8.70 |
| 8) 4 | 35) 13.60 |
| 9) 1 | 36) 176 beads |
| 10) 1 | 37) 105 cubes |
| 11) 4 | 38) \$ 4 |
| 12) 4 | 39) 222 cm ² |
| 13) 1 | 40) \$ 20 |
| 14) 2 | 41) \$ 84 |
| 15) 2 | 42) 336 visitors |
| 16) 54 | 43) a) 89° |
| 17) 0.08 | b) 42° |
| 18) 74.70 | 44) 10 computer games |
| 19) 11.5 | 45) 24.5 cm ² |
| 20) 1/25 | 46) 24 boys |
| 21) Thursday | 47) 14 oranges |
| 22) 250 | 48) \$ 23.20 |
| 23) 10 | 49) 5 : 48 |
| 24) 3/32 | 50) a) 40% |
| 25) 112 | b) 53 1/3% |
| 26) 112 | |
| 27) 6 : 11 | |