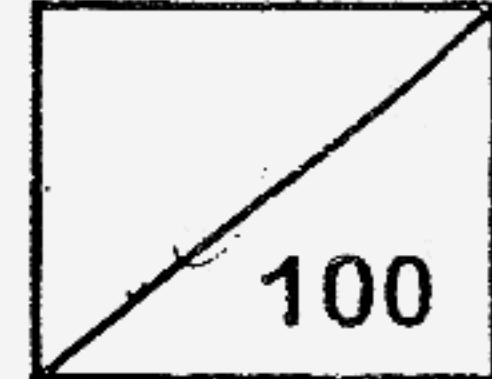




Rosyth School
Second Semestral Assessment 2006
Mathematics
Primary 4



Name: _____

Class: Pr 4-_____ Register No. _____ Duration: 1h 45 min

Date: 31 Oct 2006

Parent's Signature: _____

Instructions to Pupils:

1. Do not open this booklet until you are told to do so.
2. Follow all instructions carefully.
3. This paper consists of 3 parts, Sections A, B and C.
4. For questions 1 to 20 in Section A, shade the correct ovals on the Optical Answer Sheet (OAS).

	Maximum	Marks Obtained
Section A	40	
Section B	40	
Section C	20	
Total	100	

* This paper consists of 18 pages altogether.

This paper is not to be reproduced in part or whole without the permission of the Principal.

Section A (40 marks)

Question 1 to 20 carries 2 marks each. For each question, four options are given. One of them is the correct answer. Make your choice (1, 2, 3 and 4). Shade the correct answer on the OAS (Optical Answer Sheet).

1) There are _____ tens in 37 000.

- (1) 37
- (2) 370
- (3) 700
- (4) 3700

2) Round off 85 595 to the nearest ten.

- (1) 85 000
- (2) 85 590
- (3) 85 600
- (4) 90 000

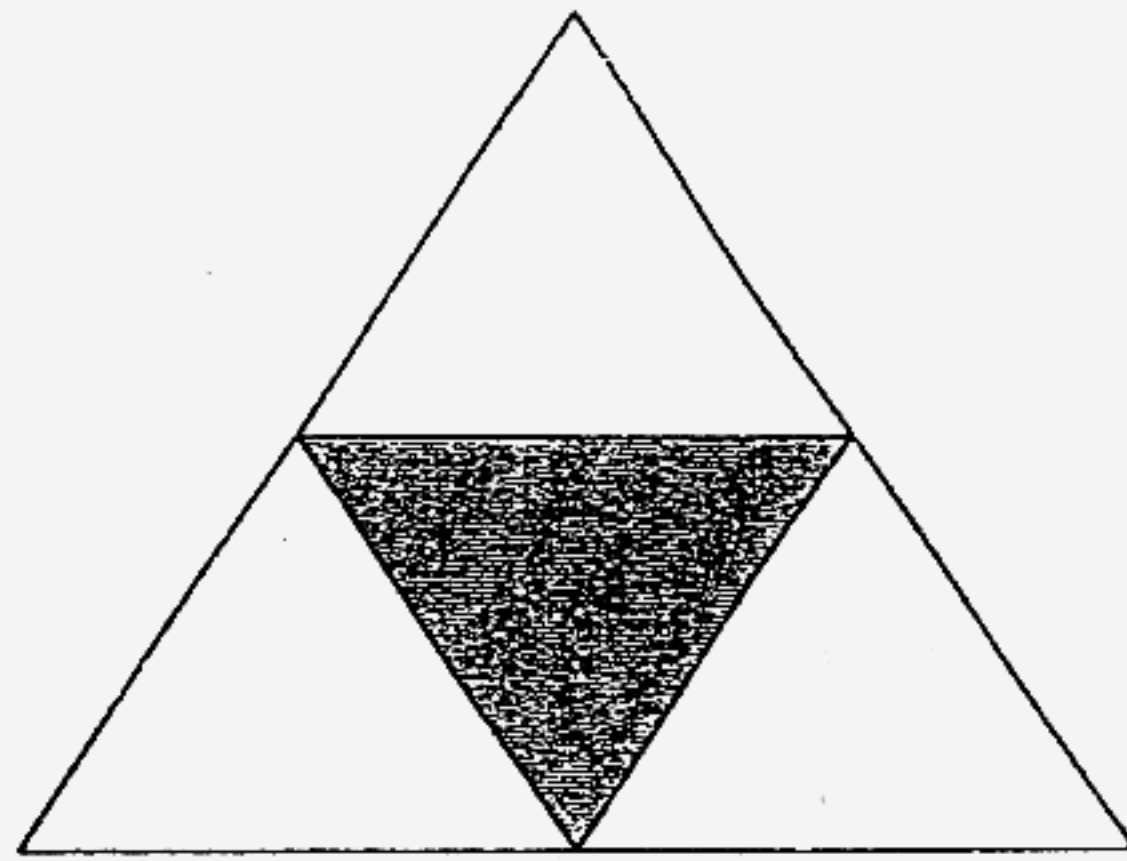
3) A long ribbon is cut into 8 equal pieces. Each piece is 80 cm long. What is the length of the long ribbon?

- (1) 10 cm
- (2) 64 cm
- (3) 560 cm
- (4) 640 cm

4) A bag of flour weighs 1 kg 80 g. Lenice repacked it into smaller bags, with 10 g of flour in each bag. How many small bags does she need?

- (1) 18
- (2) 108
- (3) 180
- (4) 1080

5) The figure below, not drawn to scale, shows a large equilateral triangle with four smaller equilateral triangles inside it. The shaded triangle has a perimeter of 27 cm. What is the perimeter of the **large** equilateral triangle?



- (1) 36 cm
- (2) 54 cm
- (3) 81 cm
- (4) 108 cm

6)

$27.234 = 20 + 7 + \frac{2}{10} + \frac{\square}{1000}$. What is the missing number in the box?

- (1) 4
- (2) 23
- (3) 34
- (4) 234

7) My father bought a tie that cost \$28 when rounded off to the nearest dollar. Which one of the following could be the actual cost of the tie?

- (1) \$27.45
- (2) \$28.45
- (3) \$28.50
- (4) \$29.05

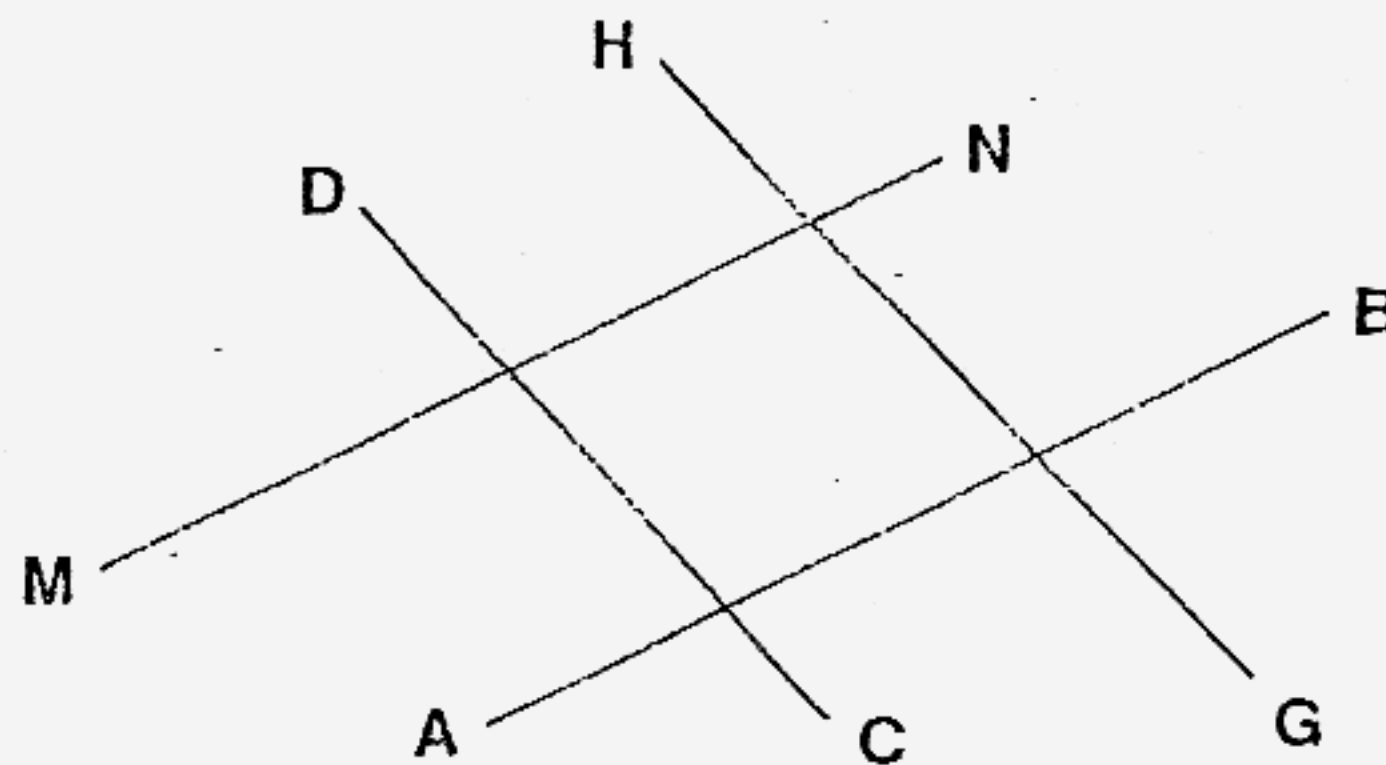
8) The sum of 6 hundreds, 8 tens and 9 hundredths is _____.

- (1) 680.009
- (2) 680.09
- (3) 980.006
- (4) 980.06

9) Find the product of the fourth multiple of 4 and the first multiple of 7.

- (1) 28
- (2) 49
- (3) 72
- (4) 112

10) Which line is parallel to AB?



- (1) CD
 - (2) GH
 - (3) MN
 - (4) None of the above
- 11) Kajol cleans her house every Saturday from 10 am to 11.30 am. If there are 5 Saturdays in September, how long did Kajol spend cleaning the house in September?
- (1) 4 h 30 min
 - (2) 4 h 50 min
 - (3) 7 h 5 min
 - (4) 7 h 30 min
- 12) Alex had \$14. Benjamin had \$2.50 less than Alex. Clarence had \$6.50 more than Benjamin. How much money did the 3 boys have altogether?
- (1) \$23
 - (2) \$38
 - (3) \$43.50
 - (4) \$51

The table below shows the number of Rosythians who took part in either Floor Ball or Soccer during Games Day. Study it carefully and answer questions 13 and 14.

	Floor Ball	Soccer
Number of girls	?	40
Number of boys	55	80
Total	80	120

13) How many girls took part in Floor Ball?

- (1) 25
- (2) 35
- (3) 41
- (4) 135

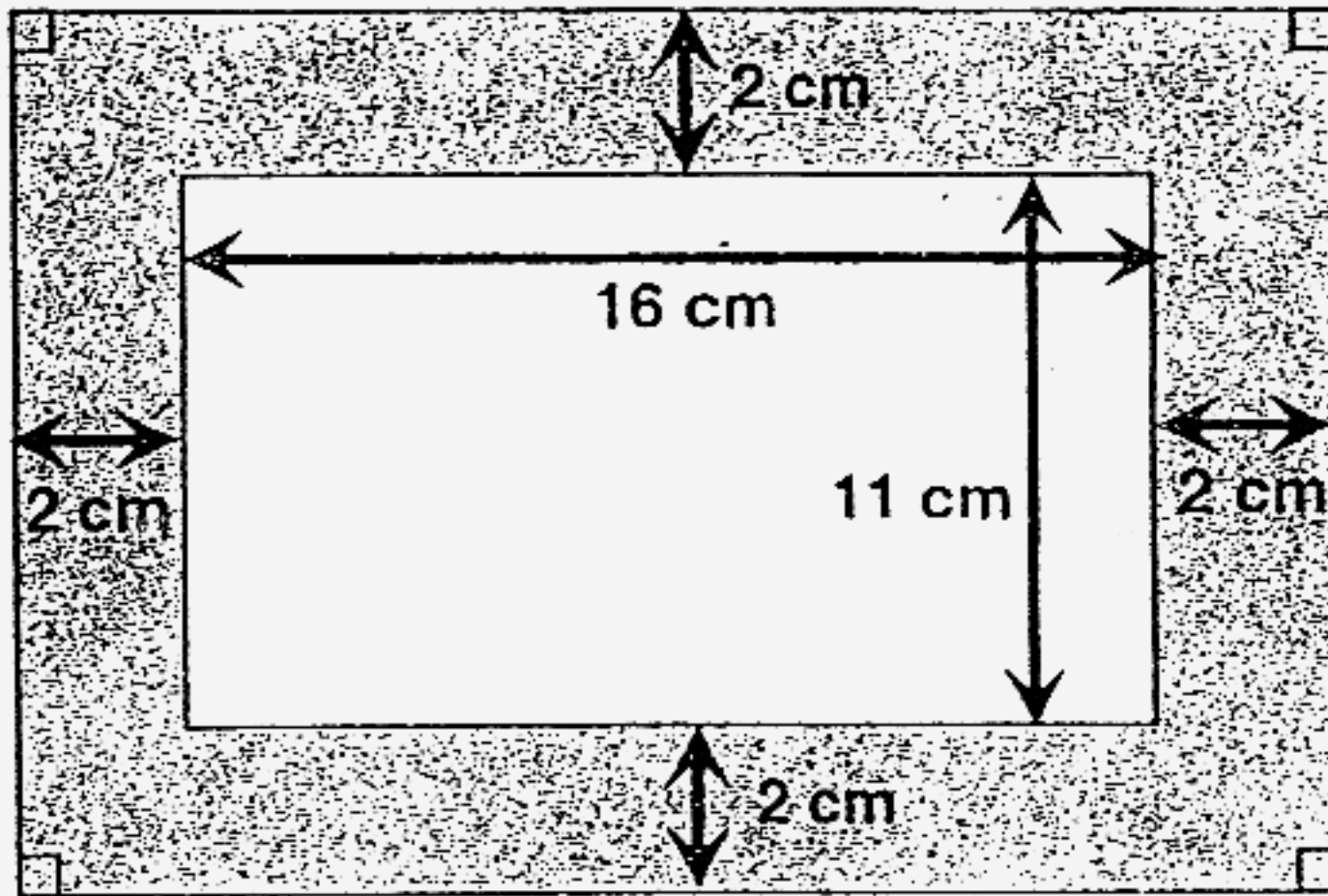
14) If $\frac{1}{5}$ of the pupils who took part in both games got a gold medal, how many pupils received gold medals?

- (1) 13
- (2) 27
- (3) 40
- (4) 60

15) There are 56 children in a hall. $\frac{5}{7}$ of them are boys. How many more boys than girls are there?

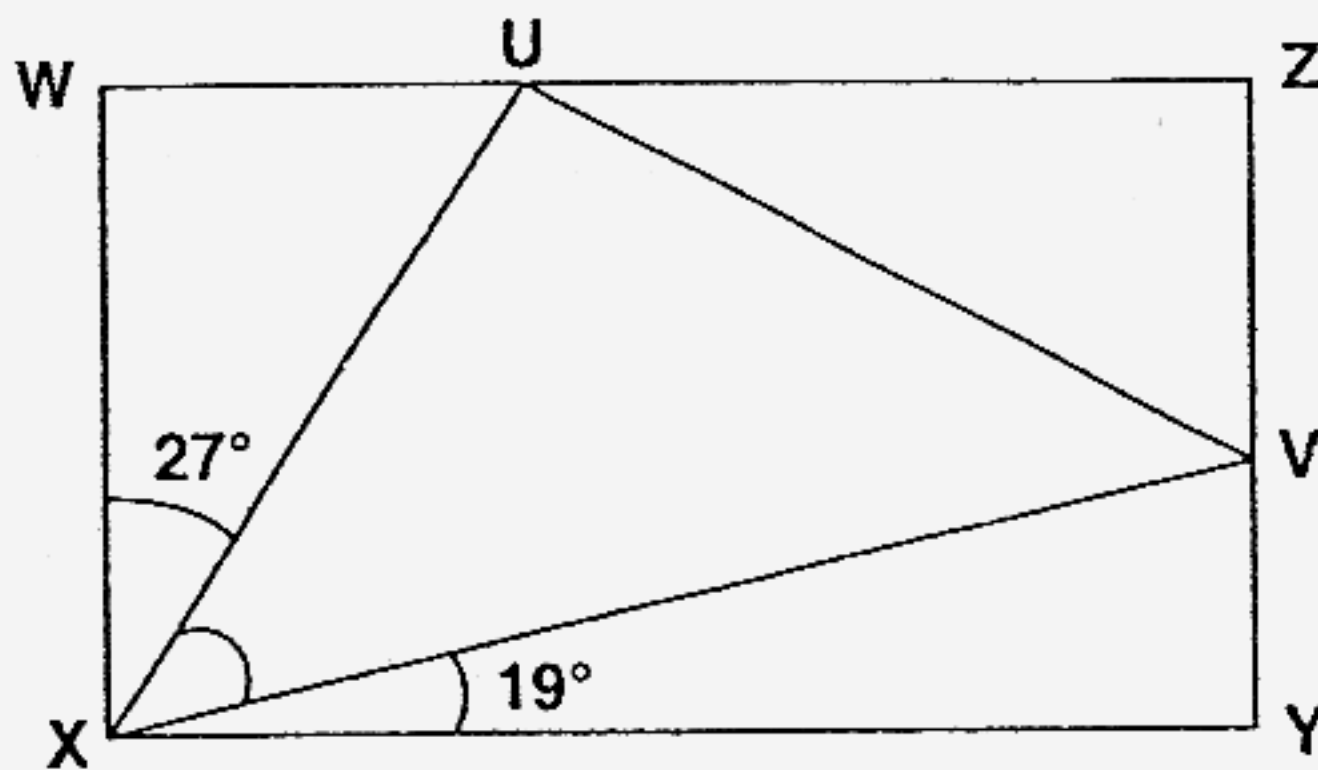
- (1) 8
- (2) 16
- (3) 24
- (4) 40

- 16) A rectangular piece of paper measuring 16 cm by 11 cm was placed on a board. Find the area of the board not covered by the paper. (Figure is not drawn to scale)



- (1) 124 cm^2
 (2) 176 cm^2
 (3) 273 cm^2
 (4) 300 cm^2

17)



WXYZ is a rectangle. Find $\angle VXU$.

- (1) 44°
 (2) 63°
 (3) 66°
 (4) 71°

18) Divide 5.27 by 5. Round off the answer to the nearest tenth.

- (1) 1.0
- (2) 1.05
- (3) 1.1
- (4) 1.5

19) Madam Lim baked 255 chicken pies. She packed them into boxes of 6 each for sale. How many boxes of chicken pies could Madam Lim sell?

- (1) 42
- (2) 43
- (3) 261
- (4) 1530

20) The length, in cm, of each side of a rhombus is an odd number. Which of the following can be the perimeter of the rhombus?

- (1) 16 cm
- (2) 27 cm
- (3) 33 cm
- (4) 44 cm

Section B (40 marks)

For each question, show your working clearly in the space below each question and write your answer in the answer boxes provided. Give your answers in the units stated. Questions 21 to 40 carry 2 marks each.

21) Form the smallest four digit even number using all the digits listed below.

4, 7, 2, 9

22) Wayne travelled 297 km on Sunday. He travelled 79 km less on Monday than on Sunday. How far did he travel on both days?

 km

23) A cube of side 4 cm has a volume of _____.

 cm³

24) Edison spent \$14 on a T-shirt. Gordon spent 3 times as much as Edison on a bag. How much more did Gordon spend than Edison?

 \$

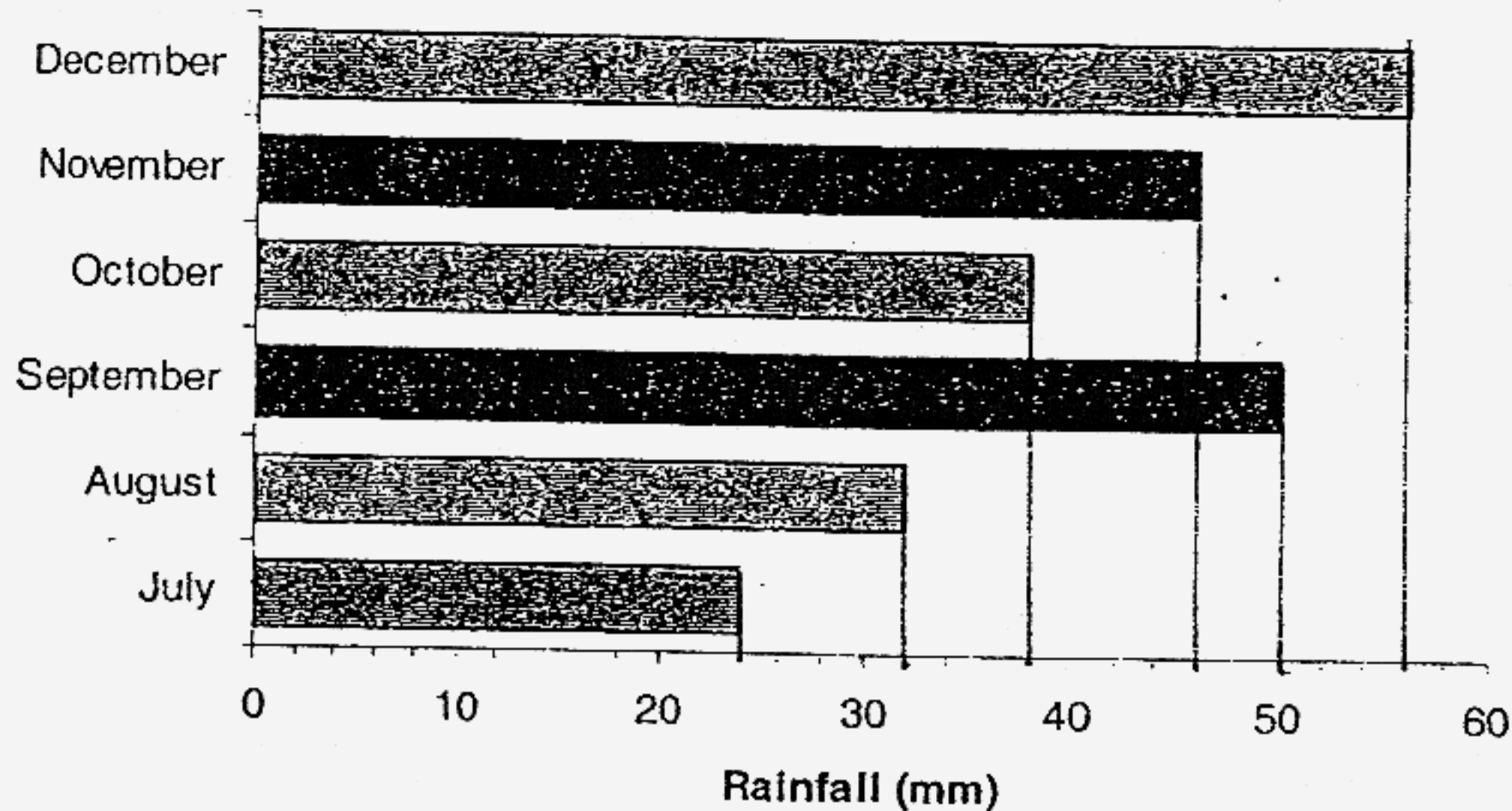
25) The area of a square is 36 cm². Find its perimeter.

 cm

26) Find the value of $\frac{1}{3} + \frac{5}{12}$. Express your answer in its simplest form.

27) How many quarters are there in $3\frac{1}{4}$?

The bar graph below shows the amount of rainfall measured over 6 months last year. Study it carefully and answer questions 28 and 29.



28) How much rainfall was there in October?

29) How much more rainfall was there in November than in August?

30) A number is between 50 and 60. It has a remainder of 6 when it is divided by 8. Find the number.

31) The total height of Idol Hill and Caldecott Hill is 2783 m. Caldecott Hill is 995 m lower than Idol Hill. Find the height of Idol Hill.

32) Jonathan bought 4 kg 64 g of chocolates. He packed the chocolates equally into 4 boxes. What is the mass of each box of chocolates?

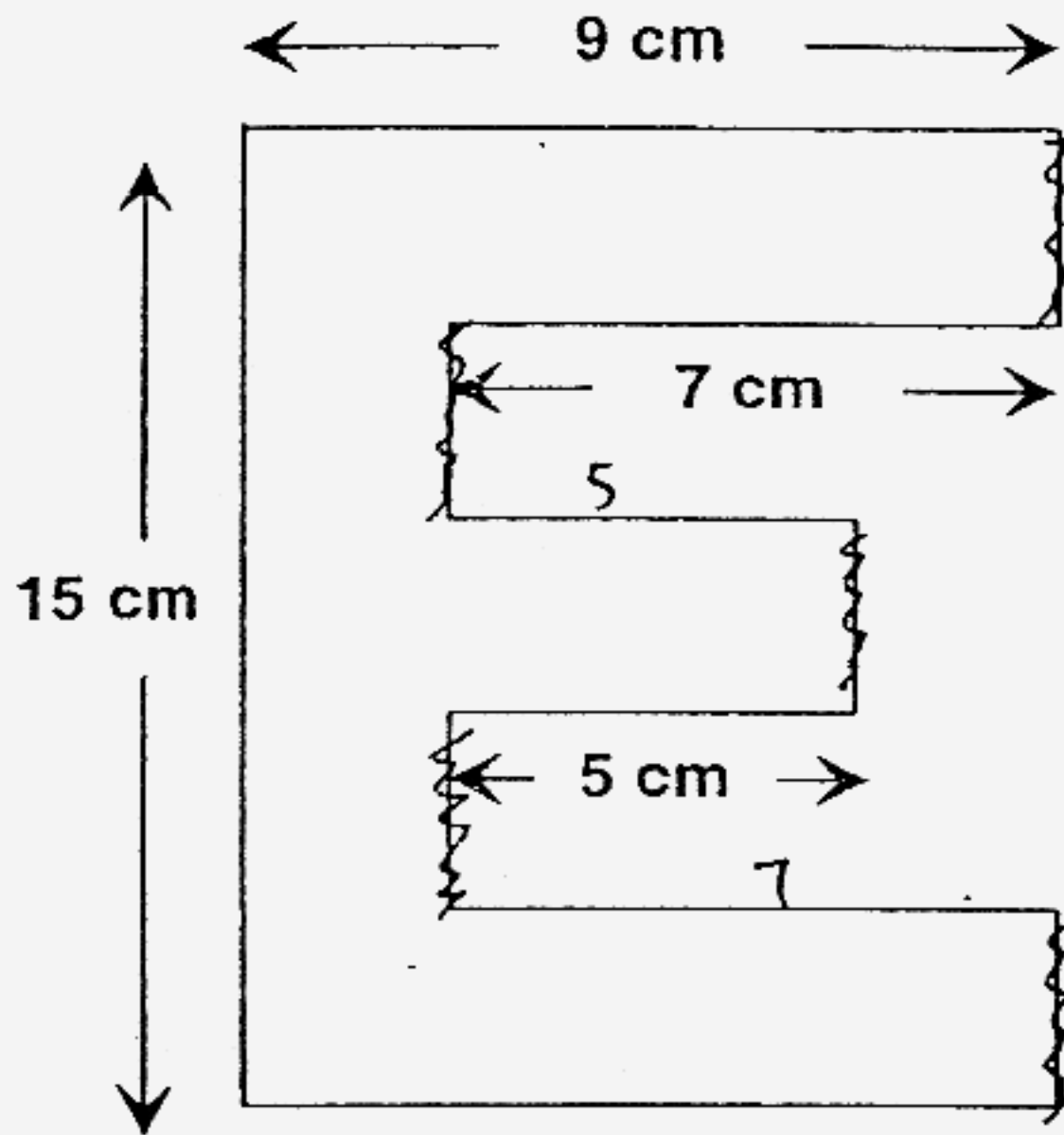
33) Paul and Joakim have a total of \$440. Joakim has $\frac{2}{9}$ as much money as Paul. How much money has Paul?

34) Jasmin bought 7 pencils and 2 key chains for \$10. If a pencil cost \$0.30, how much did a key chain cost?

35) After Rahima used 3 m of rope, she had 1.04 m of rope left. How many metres of rope did she have at first? Round off your answer to 1 decimal place.

- 36) Jacintha cut a rectangular piece of paper to form an "E", as shown below. Find its perimeter. *(The figure is not drawn to scale)*

cm



- 37) A farmer planted some seedlings in a row at equal distances to each other. The distance between the first and fourth seedlings was 240 cm. Find the distance between the first and eighth seedlings.

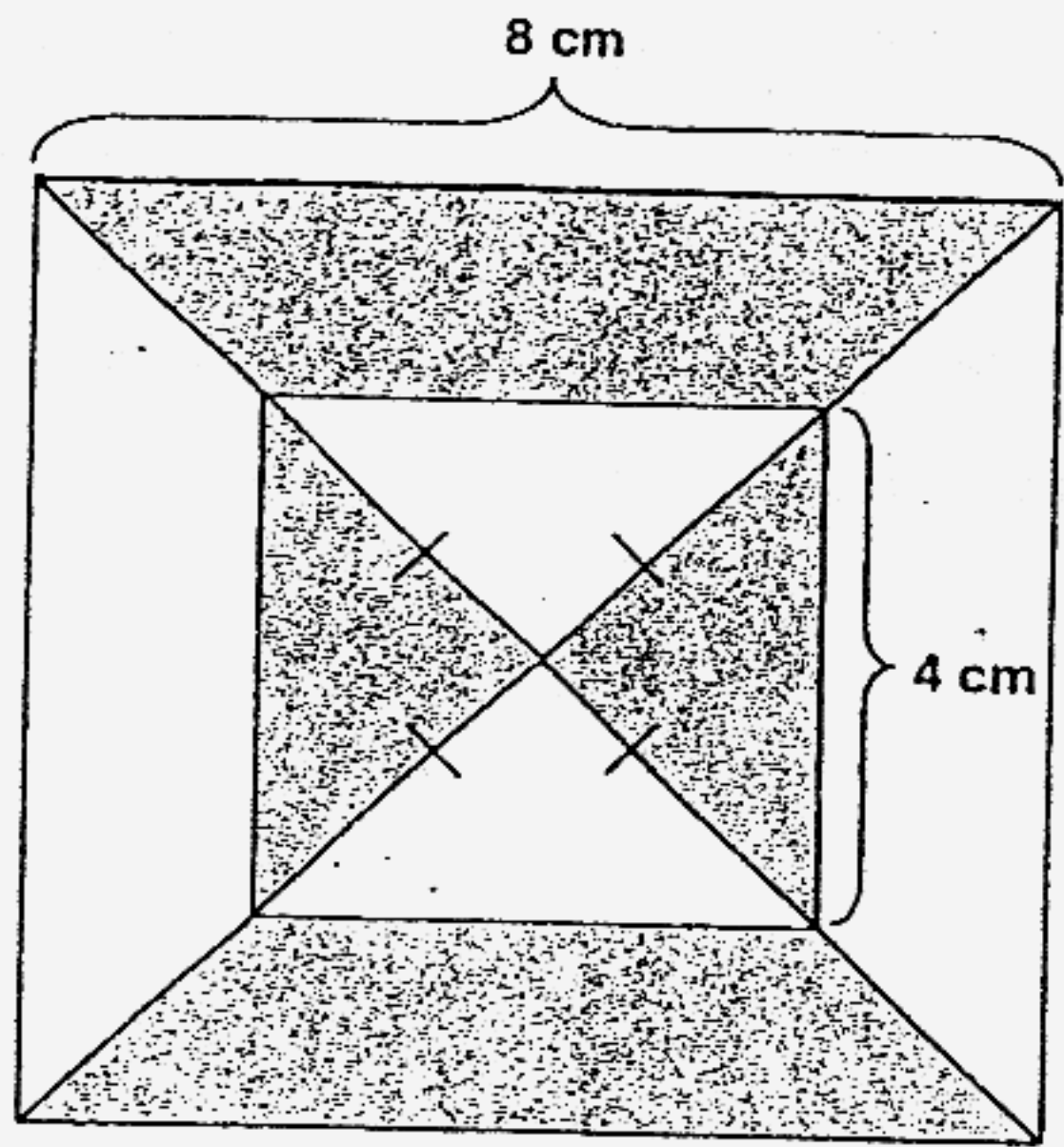
cm

- 38) The cost of 1 notebook and 4 similar files is \$8.50.
2 such notebooks, 8 such files and 3 similar pens cost \$26. What is the cost of a pen?

\$

39) The figure shows two squares. Find the total area of the shaded parts.

cm^2



(Not drawn to scale)

40) Shennind has \$3. He has 3 twenty-cent coins and as many ten-cent coins as fifty-cent coins. How many fifty-cent coins does Shennind have?

Section C (20 marks)

For questions 41 to 45, show your working clearly in the space below each question and write your answers in the blanks provided. The marks for each question are given in the brackets.

Q41) A rectangular tank is 50 cm long, 30 cm wide and 20 cm high. It is completely filled with water. Bryan poured out some water for an experiment. The water level in the tank now is 14 cm. How much water did Bryan pour out?

Ans: _____ (4 marks)

Q42) Alan had \$21 left after spending $\frac{1}{10}$ of his money on food, $\frac{2}{5}$ of it on clothing and \$9 on charity. How much money did he have at first?

Ans: _____ (4 marks)

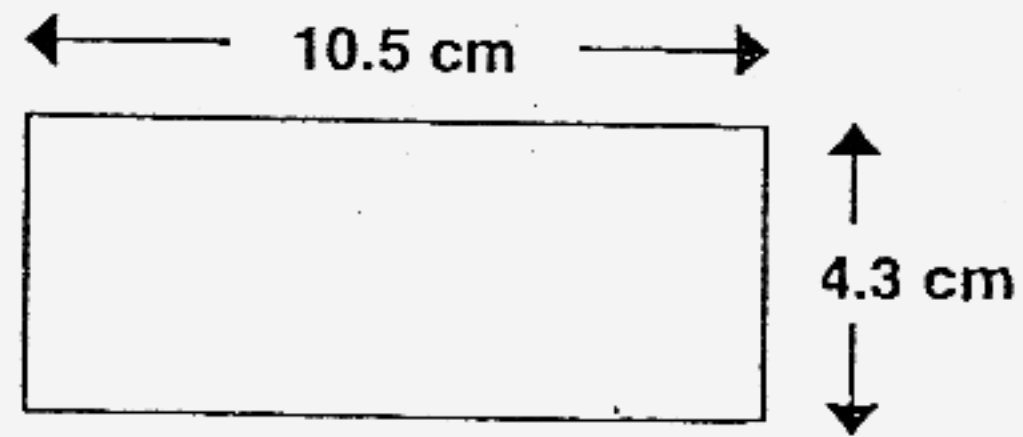
Q43) Hady has 28 stickers and Matilda has 15 stickers. How many stickers must Hady give to Matilda so that she will have 9 stickers more than Hady?

Ans: _____ (4 marks)

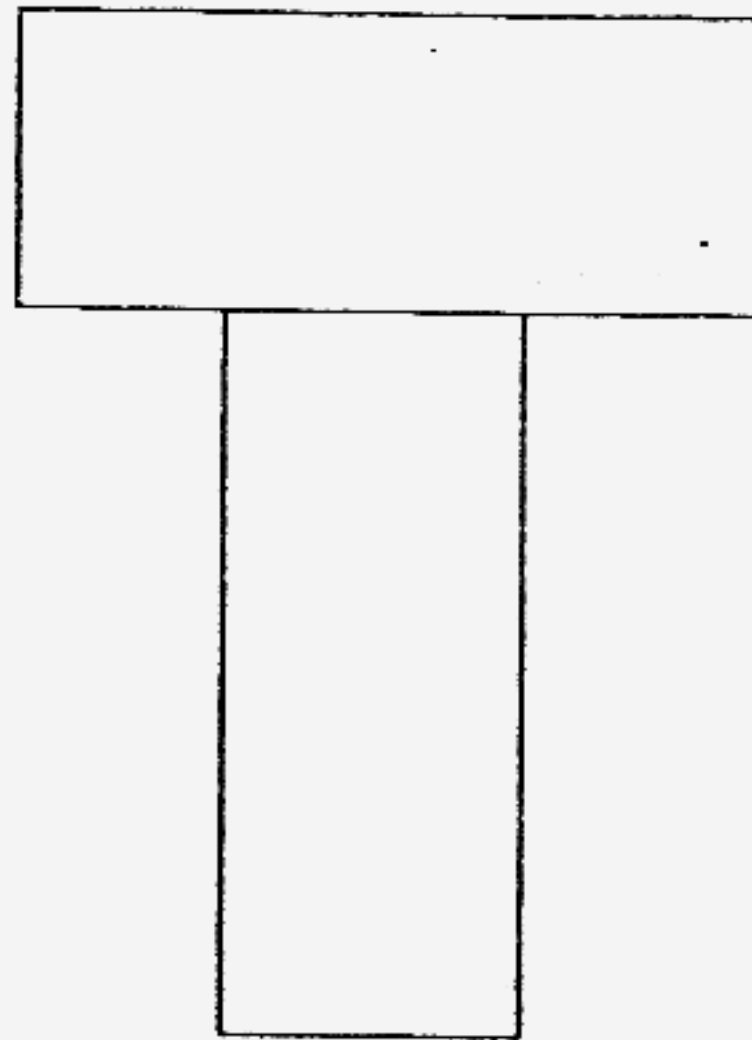
- 44) Bernard and Putra had \$10 altogether. If Bernard spent $\frac{1}{3}$ of his money and Putra spent \$0.50, they would have the same amount of money left. Find the amount of money Bernard had at first.

Ans: _____ (4 marks)

45) Rebecca has some identical rectangular tiles like this.



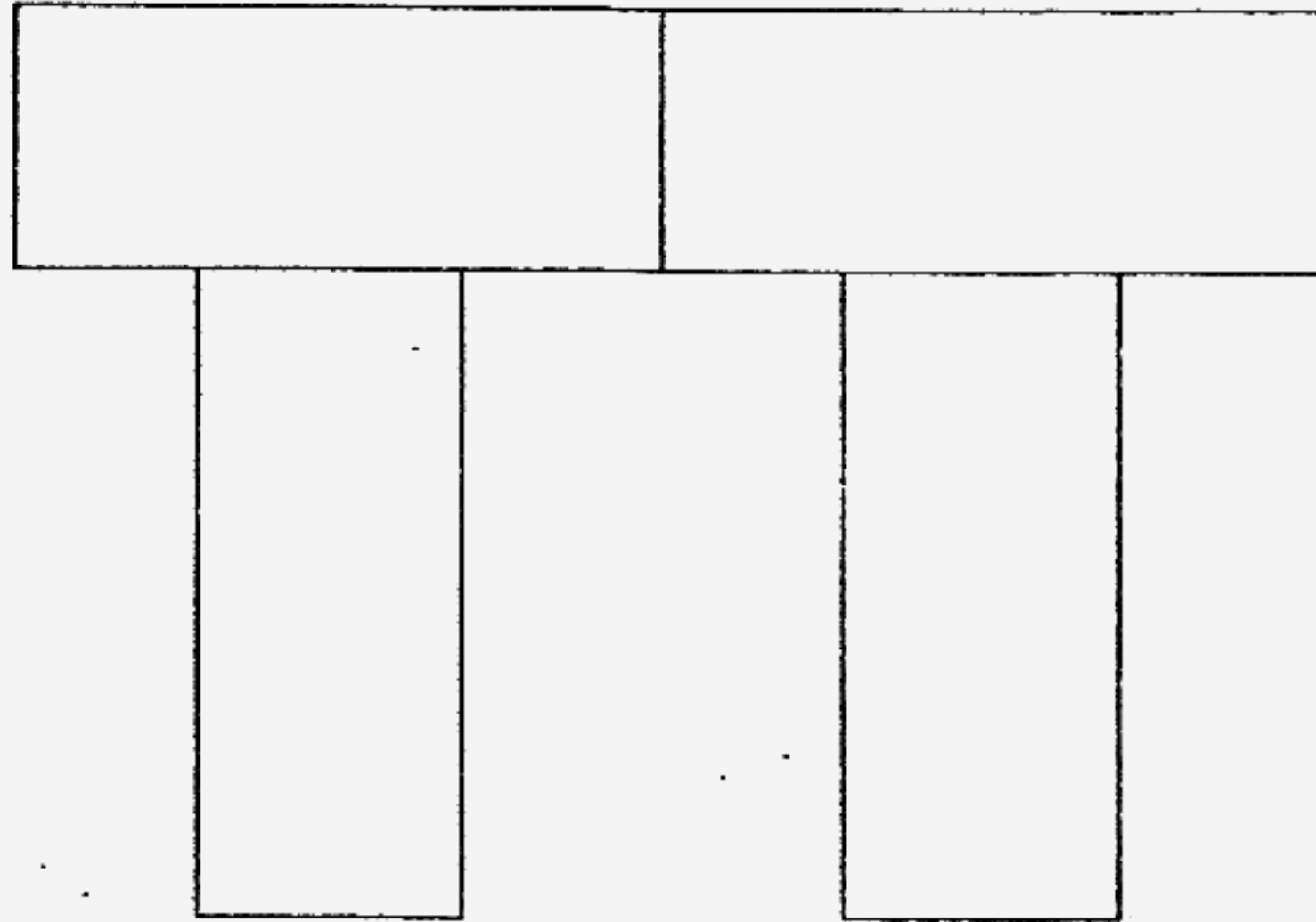
She makes this T-shape using two rectangular tiles.



(a) What is the perimeter of Rebecca's T-shape?

Ans: _____ (2 marks)

She then puts two T-shapes together.



(b) What is the perimeter of Rebecca's new shape?

Ans: _____ (2 marks)

-END OF PAPER-
Have you checked your work thoroughly?

1. 4
2. 3
3. 4
4. 2
5. 2
6. 3
7. 4
8. 2
9. 4
10. 3
11. 4
12. 3
13. 1
14. 3
15. 3
16. 1
17. 1
18. 3
19. 1
20. 4
21. 2794
22. 515km
23. 64cm³
24. \$28
25. 24cm
26. $\frac{3}{4}$
27. 13
28. 38mm
29. 14mm
30. 54
31. 1889m
32. 1kg 16g
33. \$360
34. \$3.95
35. 4.0m
36. 72cm
37. 560cm
38. \$3.00
- 39) $4 \times 4 = 16$
 $16 \div 2 = 8$
 $8 \times 8 = 64$
 $64 \div 2 = 32$
- 40) 4 fifty-cent coins
- 41) $14 \times 50 = 700$
 $700 \times 30 = 21000$
 $30000 - 21000 = 9000 \text{cm}^3$
- 42) $21 + 9 = 30$
 $30 \div 5 = 6$
 $6 \times 10 = 60$
He had \$60 at first.
- 43) $28 - 15 = 13$
 $15 - 13 = 2$
 $13 - 2 = 11$
Hady must give 11 stickers to her.
- 44) $\$10 - \$0.05 = \$9.50$
 $\$9.50 \div 5 = \1.90
 $\$1.90 \times 3 = \5.70
He had \$5.70 at first.
- 45) a) $10.5 - 4.3 = 6.2$
 $6.2 + 8.6 = 14.8$
 $14.8 + 10.5 = 25.3$
 $10.5 \times 2 = 21$
 $21.0 + 4.3 = 25.3$
 $25.3 \times 2 = 50.6$
It is 50.6cm
b) $50.6 \times 2 = 101.2$
 $4.3 \times 2 = 8.6$
 $101.2 - 8.6 = 92.6$
It is 92.6cm