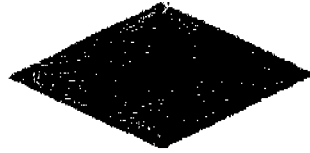


SAR




**NANYANG PRIMARY SCHOOL**  
**SECOND SEMESTRAL EXAMINATION**  
**2005**

**PRIMARY 4**  
**MATHEMATICS**

**DURATION: 1 HOUR 45 MINUTES**

<b>Section A</b>	<b>/ 40</b>
<b>Section B</b>	<b>/ 40</b>
<b>Section C</b>	<b>/ 20</b>

<b>Total:</b>	<b>/ 100</b>
---------------	--------------



Name: \_\_\_\_\_ (            )

Class: Primary 4 (            )

Date: 31 October 2005

Parent's Signature: \_\_\_\_\_

DO NOT OPEN THIS BOOKLET UNTIL YOU ARE TOLD TO DO SO.

FOLLOW ALL INSTRUCTIONS CAREFULLY.

ANSWER ALL QUESTIONS.

**Section A**

Questions 1 to 20 carry 2 marks each. For each question, four options are given. One of them is the correct answer. Make your choice (1, 2, 3 or 4). Shade the correct oval (1, 2, 3 or 4) on the Optical Answer Sheet.

(Total: 40 marks)

1. Which one of the following is the **best estimate** for  $32 \times 78$ ?

(1)  $30 \times 70$

(2)  $30 \times 80$

(3)  $40 \times 70$

(4)  $40 \times 80$

2. What is the **least** number of sweets which can be equally distributed among 3, 5 or 6 children without remainder?

(1) 15

(2) 30

(3) 60

(4) 90

3. Add 7580 to the product of 355 and 4.  
In the answer, the value of the digit **9** is the same as \_\_\_\_\_.

(1)  $9 \times 1$

(2)  $9 \times 10$

(3)  $9 \times 100$

(4)  $9 \times 1000$

4. Fauzi cycled  $\frac{5}{6}$  km from Town A to Town B. He cycled another  $\frac{8}{15}$  km from Town B to Town C. What was the total distance he cycled from Town A to Town C?

(1)  $\frac{3}{10}$  km

(2)  $\frac{13}{21}$  km

(3)  $1\frac{11}{30}$  km

(4)  $2\frac{11}{15}$  km

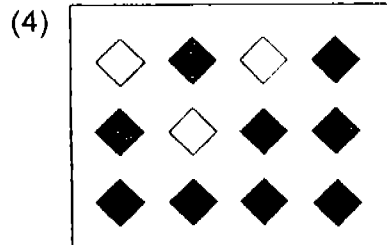
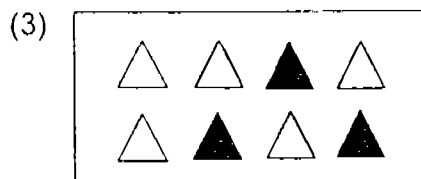
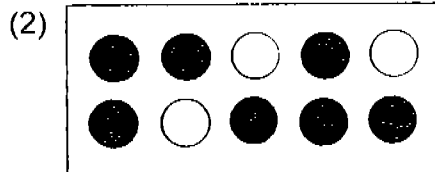
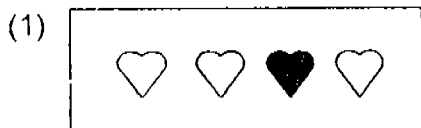
5. What is the missing number in the box?

$$\frac{65}{20} = 2 + \frac{\square}{10} + \frac{5}{100}$$

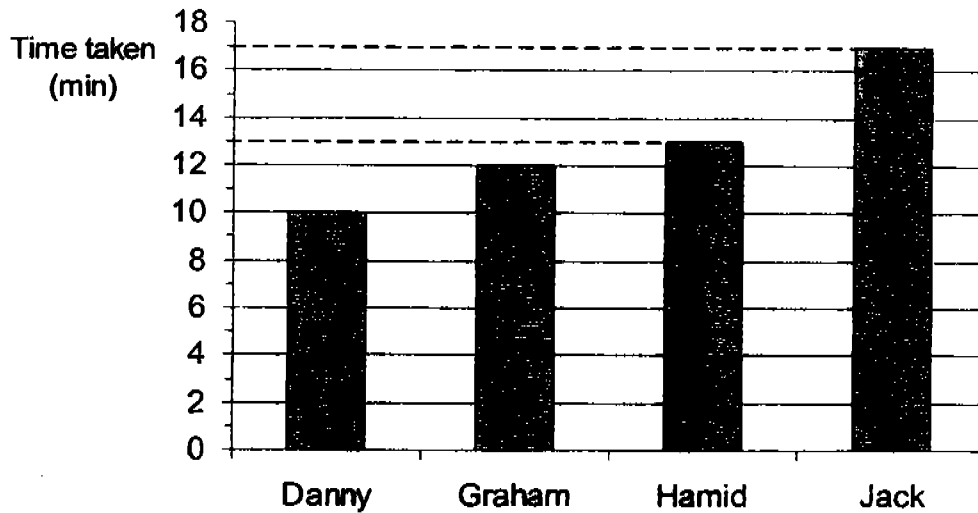
- (1) 12  
(3) 24

- (2) 2  
(4) 120

6. Which one of the following sets shows that  $\frac{3}{4}$  of it is shaded?



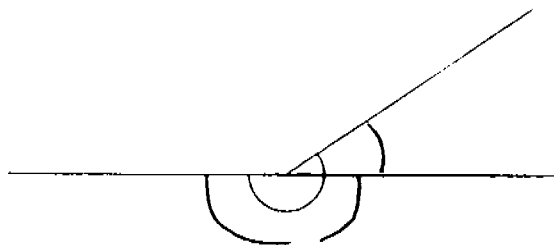
7. The graph below shows the time taken by 4 runners to complete a 2.4-km race.



Find the difference in the time taken by Hamid and the fastest runner.

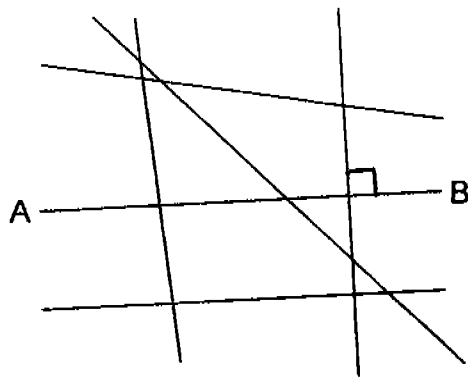
- (1) 1 min                      (2) 2 min  
(3) 3 min                      (4) 4 min

8. Measure the marked angle below.



- (1)  $145^\circ$                       (2)  $155^\circ$   
(3)  $205^\circ$                       (4)  $215^\circ$

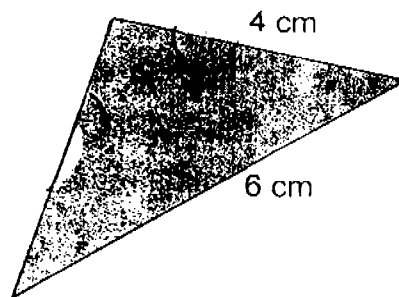
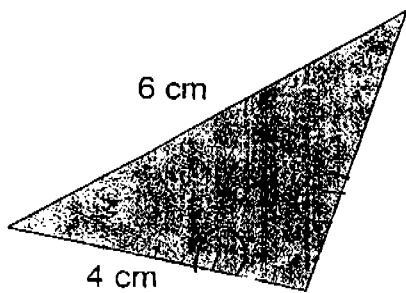
9. In the diagram below, how many line(s) is/are perpendicular to Line AB?



- (1) 1
- (3) 3

- (2) 2
- (4) 4

10. The 2 isosceles triangles below are used to form a rhombus.



What is the perimeter of the rhombus?

- (1) 12 cm
- (3) 20 cm

- (2) 16 cm
- (4) 24 cm

11. Kylie has a piece of cardboard measuring 16 cm by 15 cm. She wants to cut out 2-cm squares from the piece of cardboard. What is the maximum number of squares that Kylie can cut out?

(1) 56  
(3) 64

(2) 60  
(4) 120

12. In 129.485, which digit is in the tenths place?

(1) 5  
(3) 8

(2) 2  
(4) 4

13. 609.04 is 5 hundredths more than \_\_\_\_\_.

(1) 109.04  
(3) 608.99

(2) 608.54  
(4) 609.09

14. Which one of the following has a value of 201.9 when it is rounded off to one decimal place?

(1) 200.976  
(3) 201.953

(2) 201.845  
(4) 201.909

15. Rashid has a red pole and a blue pole. The red pole is 4.89 m shorter than the blue pole. What is the length of the red pole if the blue pole is 7.01 m?

(1) 2.12 cm

(2) 212 cm

(3) 11.9 m

(4) 11 m 9 cm

16. A ballpoint pen was sold at a sale price of \$2.10 instead of the usual price of \$2.75. How much would I save if I buy 5 ballpoint pens?

(1) \$3.25

(2) \$10.50

(3) \$13.75

(4) \$24.25

17. Express  $\frac{5}{8}$  as a decimal.

(1) 0.125

(2) 0.625

(3) 1.6

(4) 62.5

18. Joe took 1 h 40 min to complete his homework. The time taken by Tom to complete his homework is 3 times the time taken by Joe. How much time did Tom take to complete his homework?

- (1) 100 min
- (3) 3 h

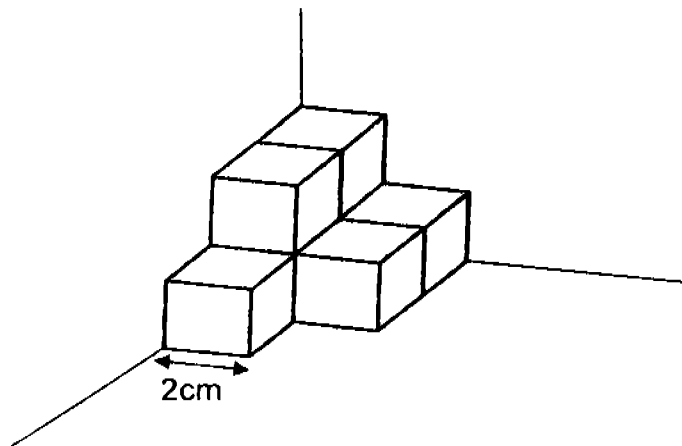
- (2) 420 min
- (4) 5 h

19. Mrs Chen bought 5 kg 80 g of flour. She packed the flour equally into 4 bags. What was the mass of the flour in each bag?

- (1) 145 g
- (3) 1450 g

- (2) 1270 g
- (4) 2320 g

20. Cubes of sides 2 cm are stacked as shown below. What is the volume of all the cubes?



- (1) 5 cm<sup>3</sup>
- (3) 40 cm<sup>3</sup>

- (2) 7 cm<sup>3</sup>
- (4) 56 cm<sup>3</sup>



Name: \_\_\_\_\_ ( ) Class: Pr 4 ( )

P4 SA2 2005

**Section B**

Questions 21 to 40 carry 2 marks each. Show your working clearly in the space below each question and write your answers in the spaces provided. Give your answers in the units stated. (Total: 40 marks)

21. What is the largest even number that is at least 28 less than 1599?

Ans: \_\_\_\_\_

22. Each box below represents the **same** digit. What is this digit?

$$\begin{array}{r} \phantom{0}20\boxed{\phantom{0}} \\ \times \phantom{0}16 \\ \hline \phantom{0}124\boxed{\phantom{0}} \\ + \phantom{0}20\boxed{\phantom{0}}0 \\ \hline \phantom{0}332\boxed{\phantom{0}} \end{array}$$

Ans: \_\_\_\_\_

23. Josh took  $\frac{3}{4}$  h to complete 10 laps in the swimming pool while Ken took  $\frac{1}{2}$  h to complete the same number of laps. What is the difference in their time taken to complete the 10 laps?

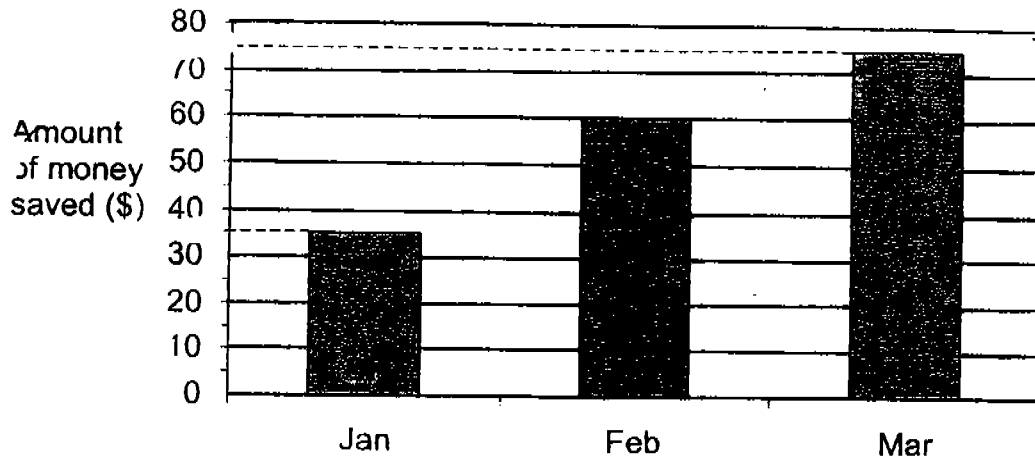
Ans: \_\_\_\_\_ h

24. What is the missing fraction in the number sequence below?  
Give your answer in its simplest form.

$$6\frac{1}{8}, \quad \underline{\hspace{2cm}}, \quad 4\frac{3}{8}, \quad 3\frac{1}{2}$$

Ans: \_\_\_\_\_

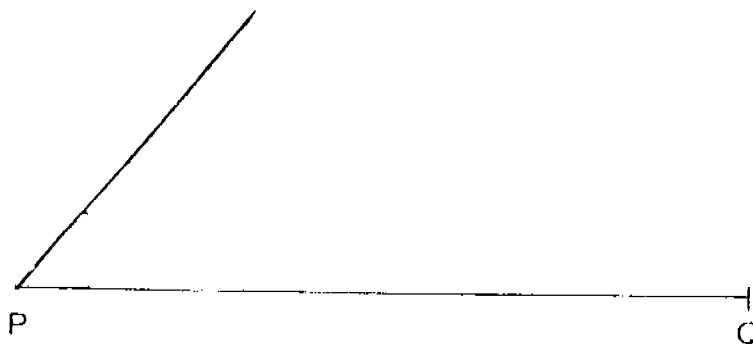
25. Peiling saved some money each month. The graph below shows the amount she saved at the end of each month.



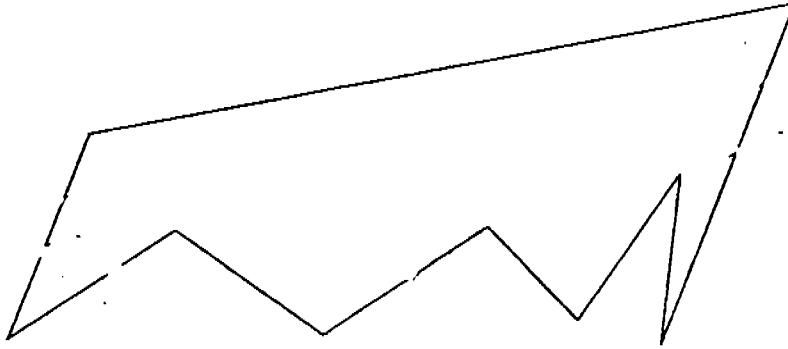
Assuming that she did not withdraw any money, how much did she save from January to March?

Ans: \$ \_\_\_\_\_

26. In the figure below, draw a line PR such that  $PR = 5$  cm and  $\angle RPQ = 50^\circ$ . Label Point R and mark  $\angle RPQ$  in the diagram.



27. How many pairs of parallel lines are there in the figure below?

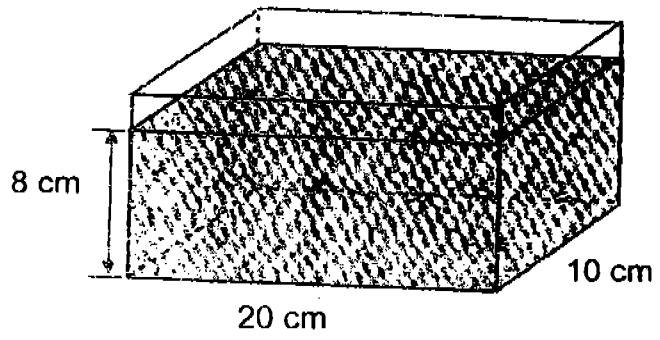


Ans: \_\_\_\_\_

28. When a basket is filled with 60 identical balls, its mass is 1 kg 2 g. When it is filled with 50 identical balls, its mass is 920 g. What is the mass of the empty basket?

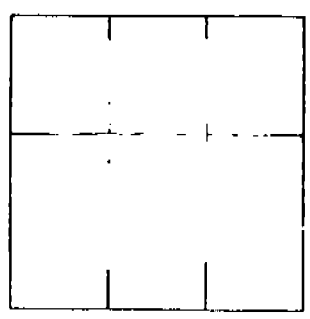
Ans: \_\_\_\_\_ g

29. Sulin had a tank with some water as shown below. She poured  $\frac{1}{4}$  of the water away. How much water was left in the tank?



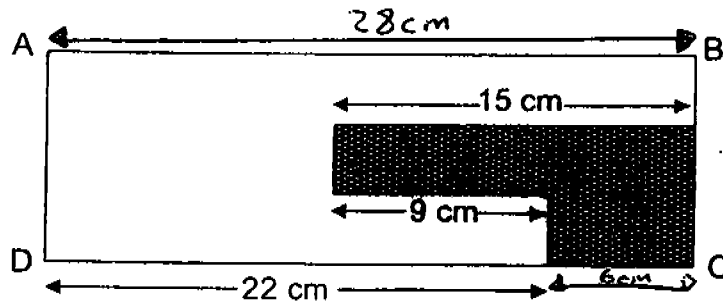
Ans: \_\_\_\_\_  $\text{cm}^3$

30. How many rectangles, of any size, can you find in the figure below?

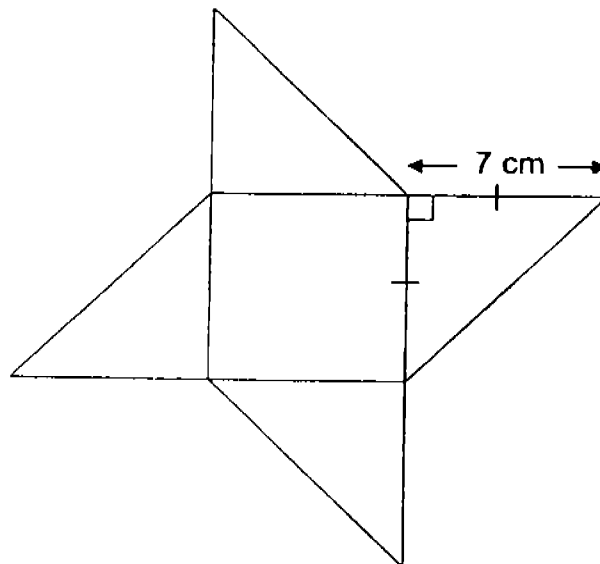


Ans: \_\_\_\_\_

31. ABCD is a rectangle. The perimeter of the unshaded part is 92 cm. Find the length of AD.



32. The figure shown below is made up of a square and 4 identical isosceles triangles. Find the area of the whole figure.



Ans: \_\_\_\_\_ cm<sup>2</sup>

33. What is 20 thousandths less than 4.98?

Ans: \_\_\_\_\_

34. Leon has 15 coins in his piggy bank. Some of the coins are 20-cent coins and the rest are 50-cent coins. If the total value of the coins is \$5.70, how many 20-cent coins are there in the piggy bank?

Ans: \_\_\_\_\_

35. Nick could buy exactly 7 storybooks with his money. If he used the money to buy only 3 storybooks, he would have \$10.60 left. How much money did Nick have?

Ans: \$ \_\_\_\_\_

33. What is 20 thousandths less than 4.98?

Ans: \_\_\_\_\_

34. Leon has 15 coins in his piggy bank. Some of the coins are 20-cent coins and the rest are 50-cent coins. If the total value of the coins is \$5.70, how many 20-cent coins are there in the piggy bank?

Ans: \_\_\_\_\_

35. Nick could buy exactly 7 storybooks with his money. If he used the money to buy only 3 storybooks, he would have \$10.60 left. How much money did Nick have?

Ans: \$ \_\_\_\_\_



36. A box of grapes, a box of cherries and a box of strawberries cost \$11.40 altogether. The box of grapes costs \$1.50 less than the box of cherries. The box of strawberries costs \$2.10 more than the box of cherries. Find the cost of the box of grapes.

Ans: \$ \_\_\_\_\_

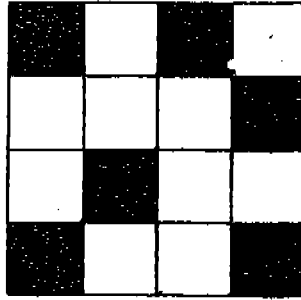
37. A jar contains 2.04 l of orange juice. The orange juice is poured equally into 8 glasses. How much orange juice is there in each glass? (1 l = 1000 ml)

Ans: \_\_\_\_\_ ml

38. An aquarium 25 cm by 20 cm by 12 cm is half-filled with water. How much water is in the aquarium? (1 l = 1000 cm<sup>3</sup>)

Ans: \_\_\_\_\_ l

39. Draw the line(s) of symmetry for the figure below.



40. Cheryl is 24 years younger than her mother. 2 years ago, her mother was 3 times as old as Cheryl. How old is Cheryl now?

Ans: \_\_\_\_\_ years old

**Section C**

Questions 41 to 45 carry 4 marks each. Show your working clearly in the space provided for each question and write your answers in the spaces provided. (Total: 20 marks)

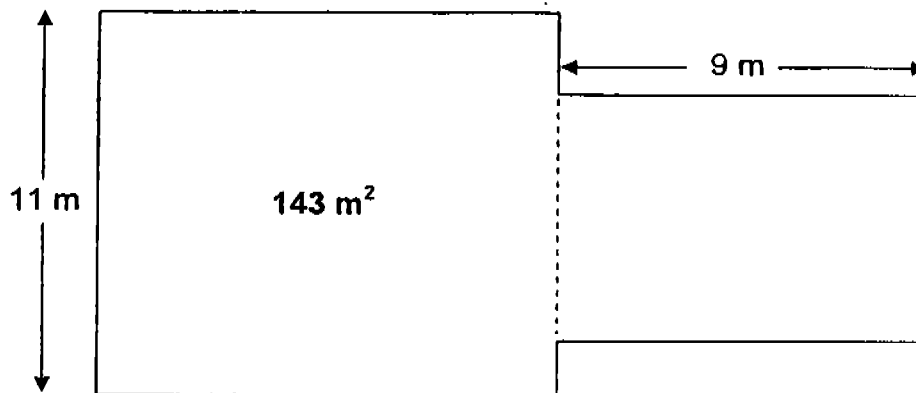
41. Sue bought 15 similar compact discs from Borders. For the amount of money she spent on compact discs, she could buy 12 similar storybooks. She paid \$16 for each compact disc. What was the difference in the cost of 2 storybooks and 1 compact disc?

Ans: \_\_\_\_\_

42. At the basketball court, 18 children lined up in a row for morning exercise. The spacing between each child was the same. The distance between the 2<sup>nd</sup> child and the 6<sup>th</sup> child was 4.24 m. What was the distance between the 10<sup>th</sup> child and the last child?

Ans: \_\_\_\_\_

43. Farmer Charlie has a farm made up of 2 rectangular plots of land as shown in the figure below. The area of the bigger plot of land is  $143 \text{ m}^2$ . If the cost for fencing the farm is \$6 per metre, find the total cost Farmer Charlie has to pay for fencing his whole farm.



Ans: \_\_\_\_\_

44. Amelia wanted to buy a bracelet for her mother. In February, the price was \$45 higher than the price in January. In March, the price of the bracelet became  $\frac{2}{3}$  of its price in February. How much did the bracelet cost in January if its price was \$270 in March?

Ans: \_\_\_\_\_

45. Mr Muthu bought a refrigerator worth \$1450 with his monthly salary. After spending  $\frac{1}{6}$  of his remaining salary on a digital camera, he had  $\frac{5}{8}$  of his salary left. What was Mr Muthu's salary?

Ans: \_\_\_\_\_

☺ *End of Paper* ☺  
*Have you checked your work?*

Setters: Mdm Denise Jung  
Ms Alice Chong

Nanyang Primary School  
Primary 4 Maths SA2 Exam (2005)

*Examinations*

**Answer Sheets**

Q1	Q2	Q3	Q4	Q5
2	2	4	3	1
Q6	Q7	Q8	Q9	Q10
4	3	4	1	2
Q11	Q12	Q13	Q14	Q15
1	4	3	4	2
Q16	Q17	Q18	Q19	Q20
1	2	4	2	4

21. 1570

22. 8

23.  $\frac{1}{4}$  hours

24.  $5\frac{1}{4}$

25. \$170

26.  $50^\circ$

27. 2

28. 510g

29.  $1200\text{cm}^3$

30. 18

31. 0.09m

32.  $147\text{cm}^2$

33. 4.96

34. 6

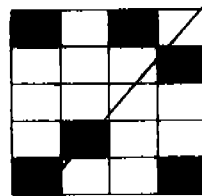
35. \$18.55

36. \$2.10

37. 255ml

38. 3l

39.



40. 14 years old

41. \$24

42. 8.48

43. \$396

44. \$360

45. \$5800