

STAPLE HERE

FOR OFFICIAL USE

--	--	--	--	--	--

X033/201

NATIONAL
QUALIFICATIONS 2008

TUESDAY, 27 MAY
1.00 PM – 3.30 PM

GRAPHIC
COMMUNICATION
INTERMEDIATE 2

Fill in these boxes and read what is printed below.

Full name of centre				Town	
Forename(s)				Surname	
Date of birth		Scottish candidate number		Number of seat	
Day	Month	Year			
<input type="text"/>	<input type="text"/>	<input type="text"/>	<input type="text"/>	<input type="text"/>	<input type="text"/>

70 marks are allocated to this paper

- 1 Answer **all** questions.
- 2 Read each question carefully before you answer.
- 3 Written answers may be in **ink** or **pencil**.
- 4 Drawings and sketches **must be in pencil**.
- 5 Dimensions are given in millimetres or as stated.
- 6 Orthographic drawings are in third angle projection.

At the end of the examination

check that your name is on every sheet;
put the sheets in correct numerical order;
place this sheet on top of the others;
join all sheets together by **stapling** at the top left-hand corner;
before leaving the examination room, you must give these sheets to the invigilator
(if you do not you may lose all the marks for this paper).

Question	Marks
1	
2	
3	
4	
5	
6	
7	
8	
Total Marks	



[BLANK PAGE]

1

A high street estate agency is moving from a manual based office to a computer based one.

(a) State the **type** of software package required to produce floor plans.

.....

(b) State the **type** of software package required to fully integrate text and pictures in a document.

.....

(c) State the **type** of software package required to edit photographs before inserting them in a document.

.....

(d) State **three** advantages to the estate agent of changing to a computer based office.

(i)

.....

.....

(ii)

.....

.....

(iii)

.....

.....

(6 marks)

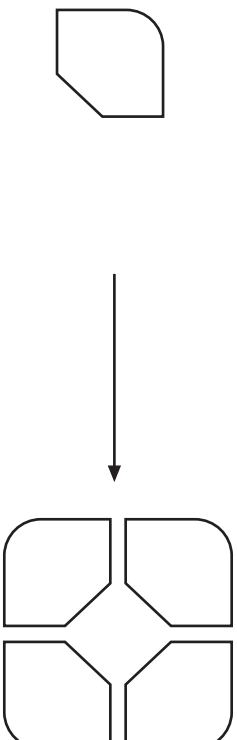
2

The various stages in producing a CAD drawing of a concrete building block are shown below.

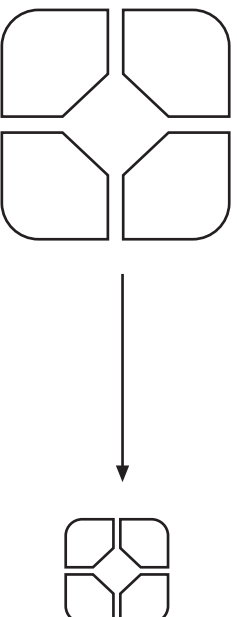
(a) State the **single** command that would be used for each stage.



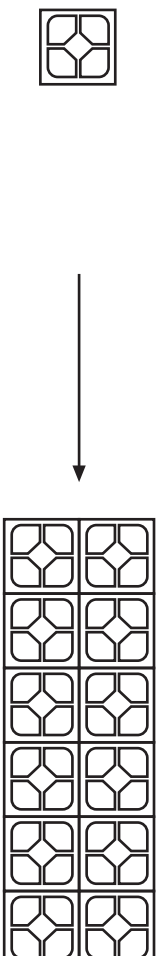
(i)



(ii)



(iii)



(iv)

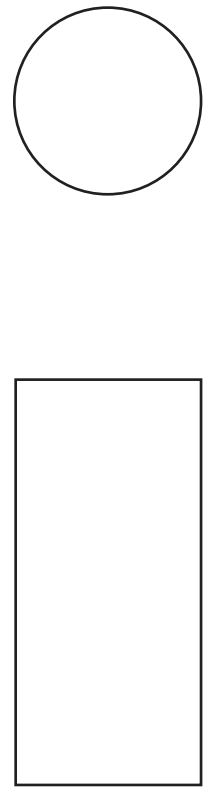
(b) State which feature of a CAD package would allow the concrete building block to be stored for future use in different drawings.

.....

(5 marks)

3

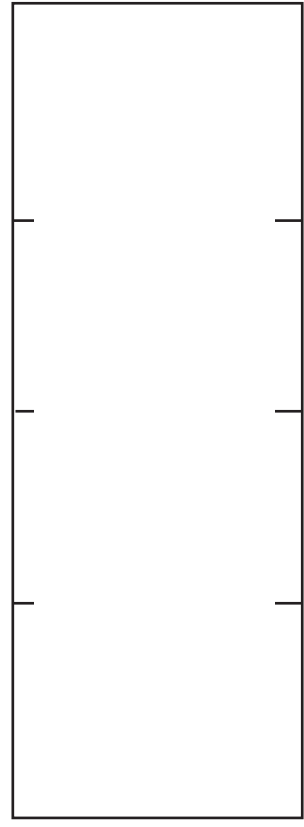
- (a) Add, according to BSI, the following line types to the drawings shown below.
- (i) Centre lines on the orthographic drawing, of a cylinder shown below



End Elevation

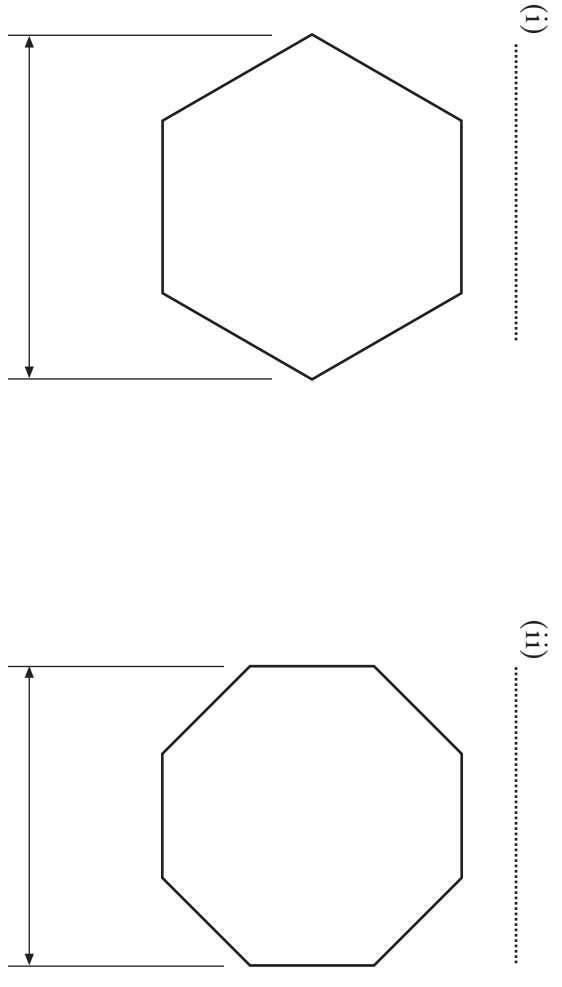
Elevation

- (ii) Fold lines on the surface development, of a square prism shown below



Surface Development

- (b) State the **abbreviations** used when dimensioning the geometric shapes shown below.



(i)

(ii)

4

A school has produced a newsletter, which is shown below.



Page 10

State **three** standard Desktop Publishing features which are shown on this newsletter.

- (i)
- (ii)
- (iii)

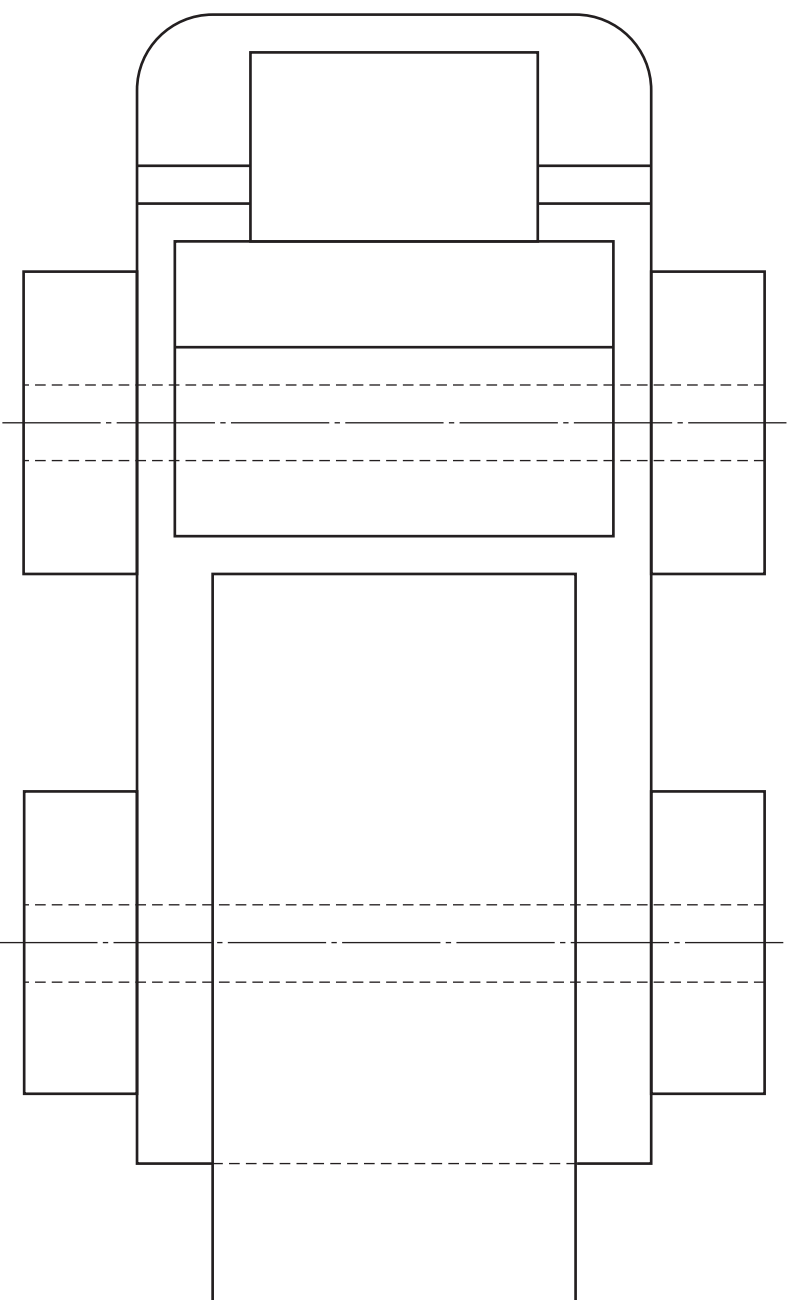
(3 marks)

(4 marks)

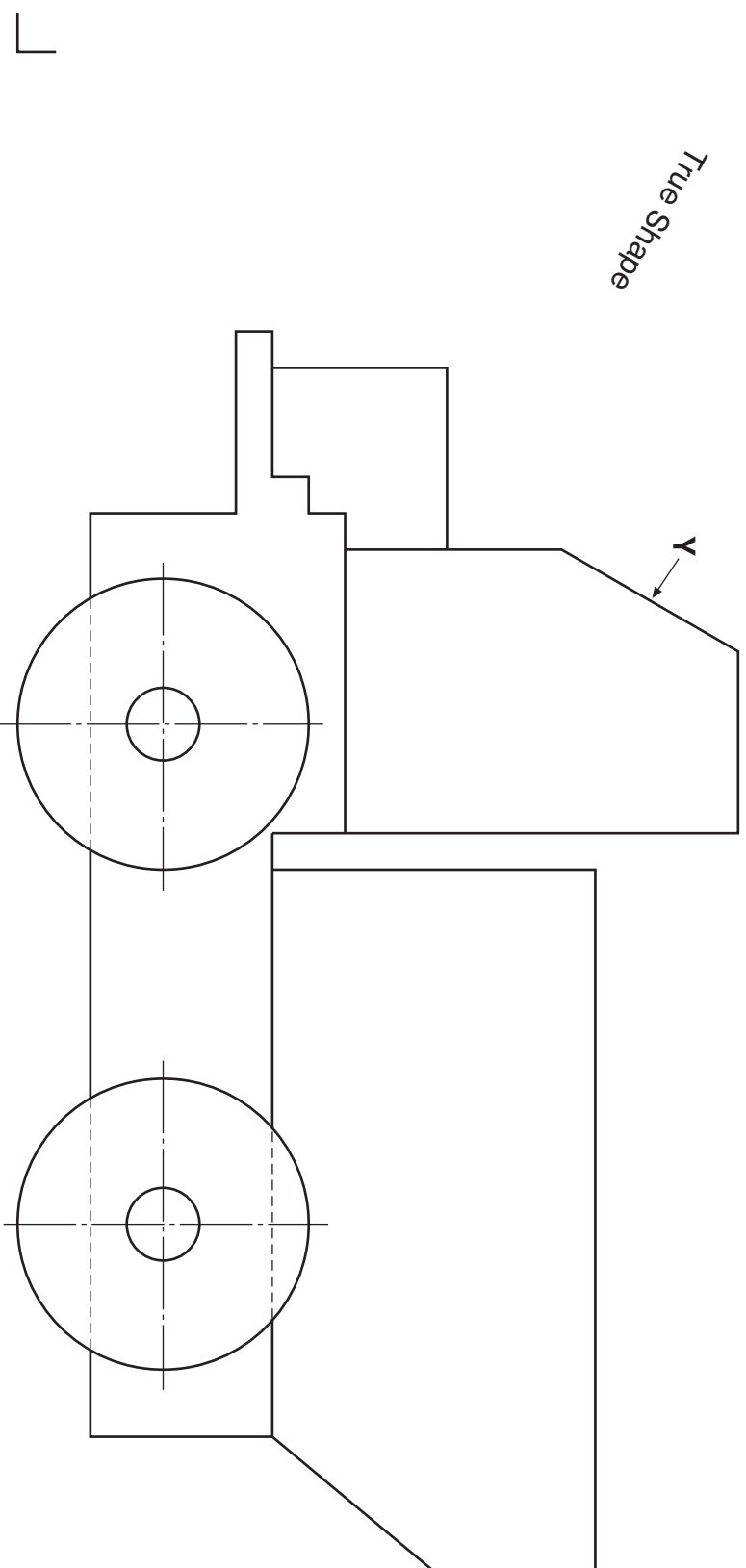
The elevation and plan of a wooden toy dumper truck are given.

Draw, in the positions given:

- (a) the end elevation;
 - (b) the true shape of the windscreen Y.
- Show all hidden detail. (12 marks)**



Plan

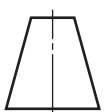
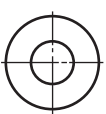


True Shape

Elevation

a	
b	
c	
d	
e	
f	
g	
h	
i	
j	
k	
l	
m	
n	

End Elevation

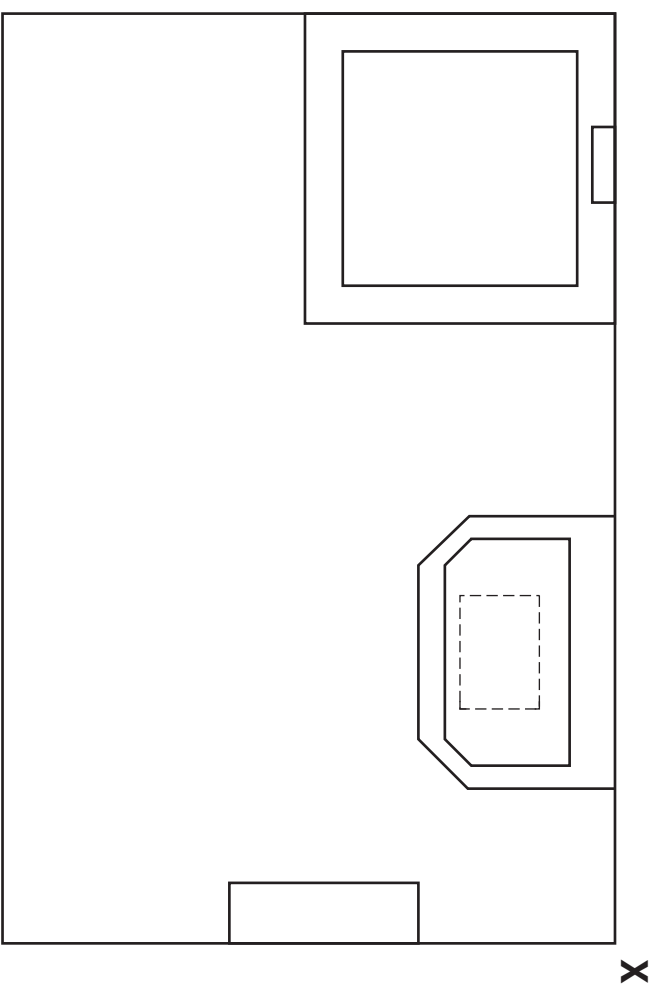
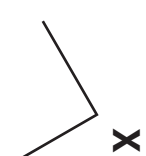


6

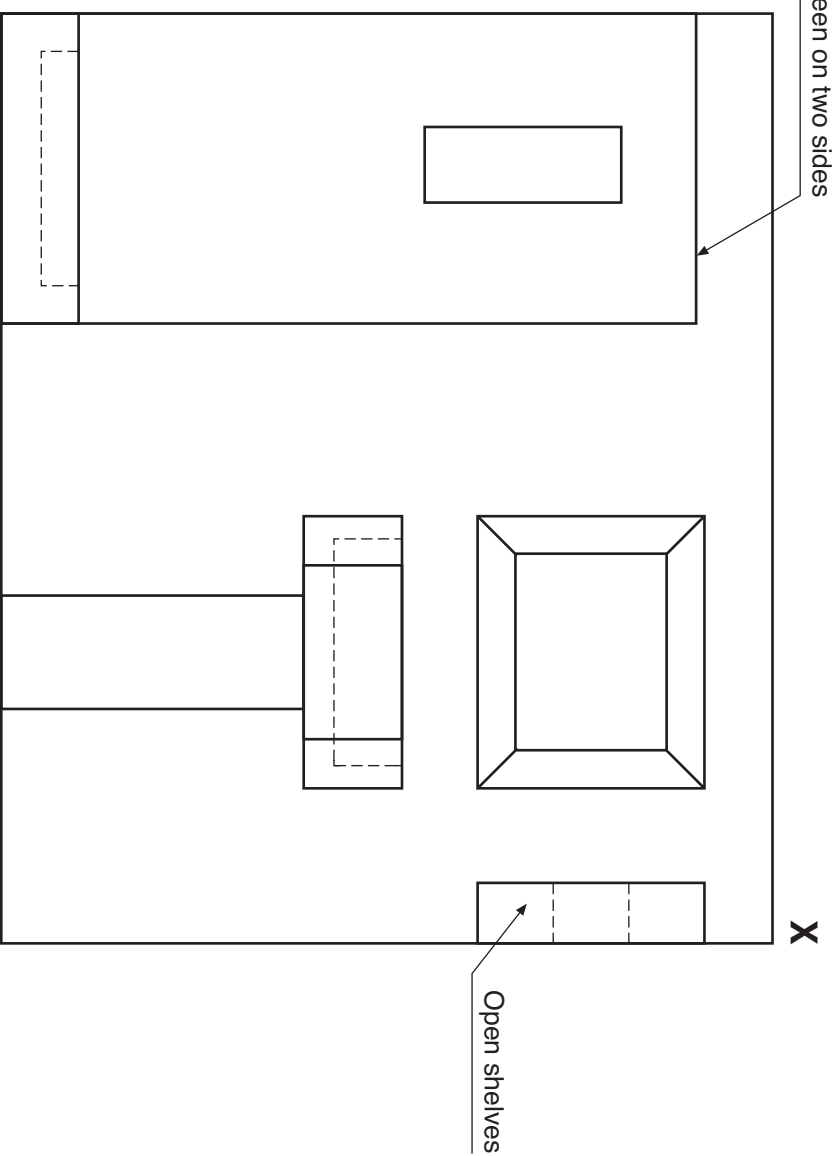
The plan and elevation of a shower room are given below.

Draw, in the position indicated, the planometric view of the shower room.

NB The shower screen is made from glass and is see through.
Do not show hidden detail. (14 marks)



Plan



Elevation

Planometric View

a	
b	
c	
d	
e	
f	
g	
h	
i	
j	
k	
l	
m	
n	

7

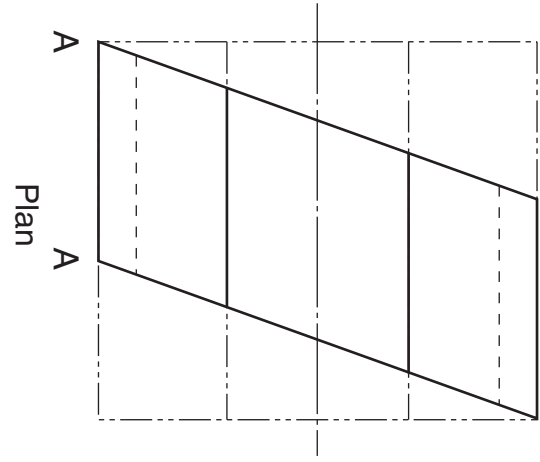
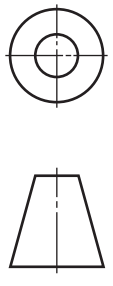
The plan and end elevation of a napkin ring are given below.

Draw, in the positions indicated:

- (a) the elevation of the napkin ring;
- (b) the surface development of the sides of the napkin ring opened at edge A-A.

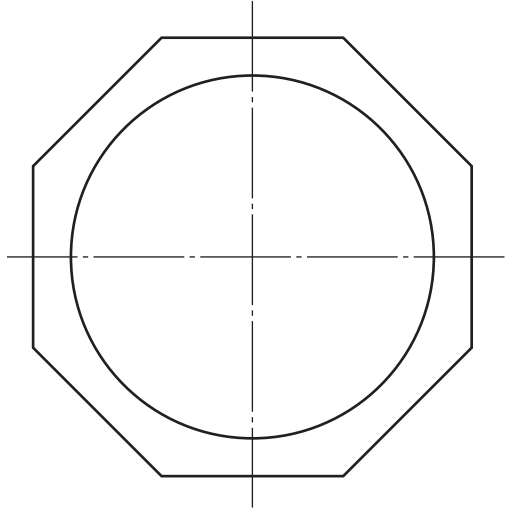
Show all hidden detail.

(14 marks)



Elevation

End Elevation



Surface Development



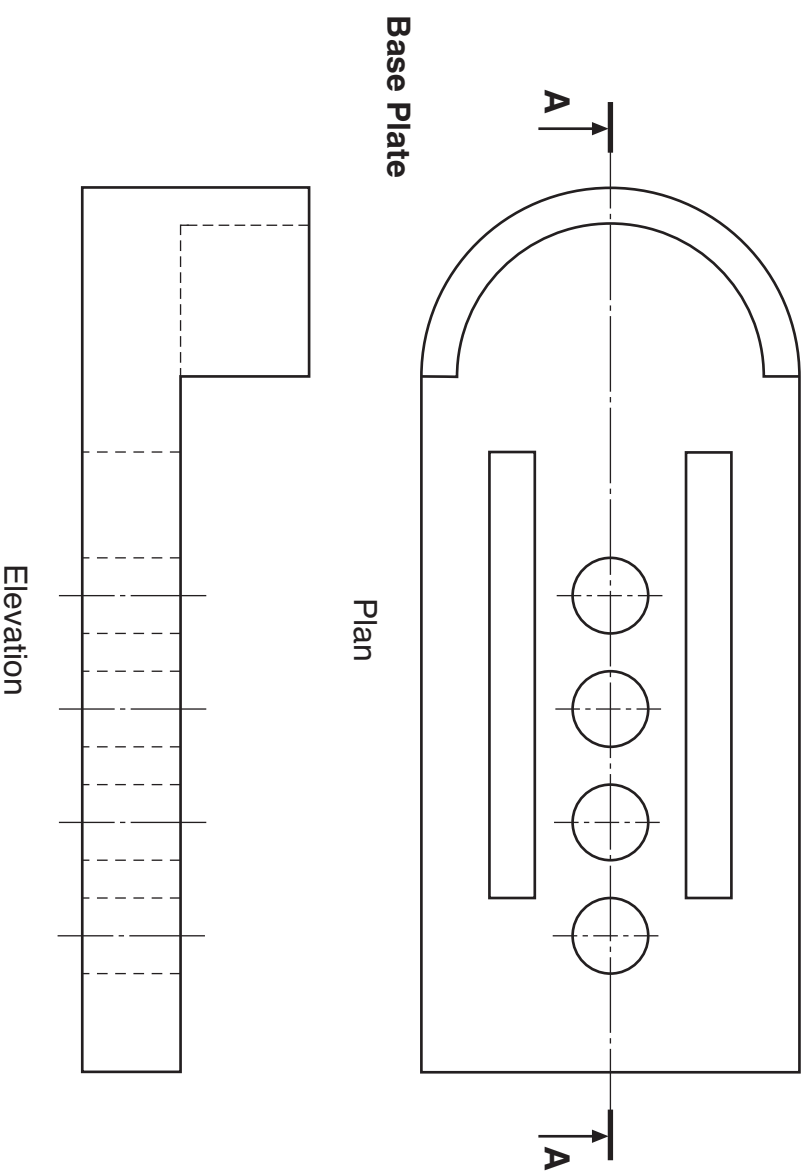
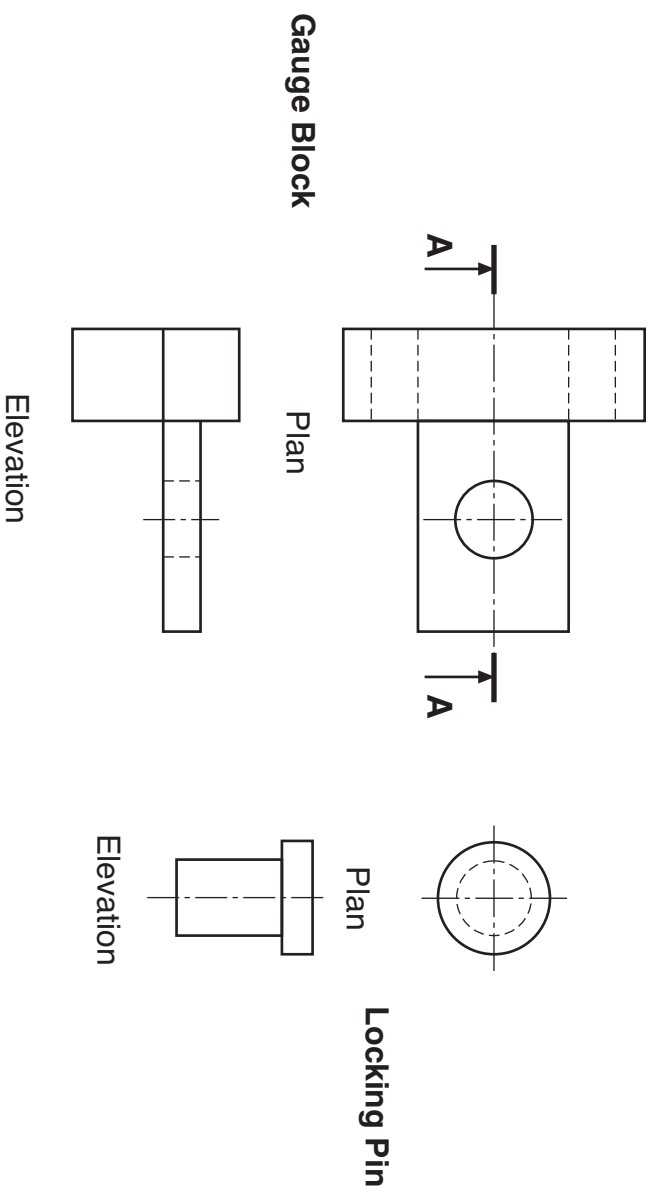
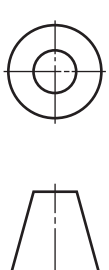
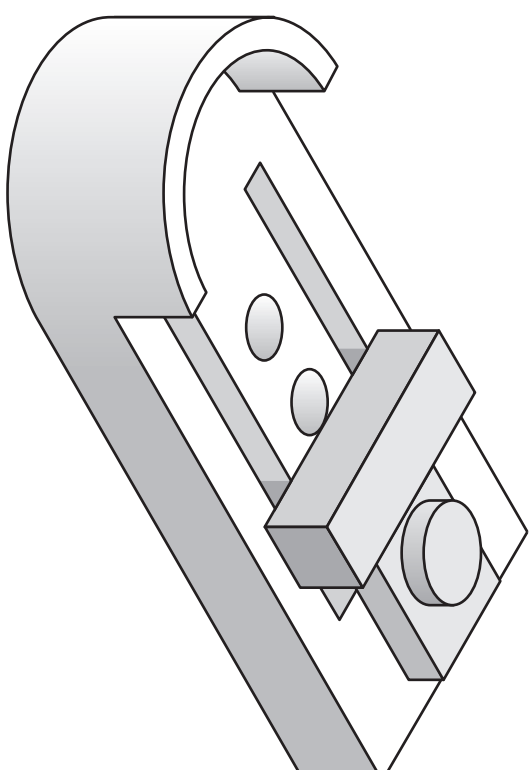
a	
b	
c	
d	
e	
f	
g	
h	
i	
j	
k	
l	
m	
n	

The plan and elevation of the components that make up a gauge are given below. An illustration is shown opposite.

Draw, in the positions indicated:

- (a) the sectional elevation on **A-A** of the fully assembled gauge;
Do not show hidden detail.
- (b) the plan of the fully assembled gauge.
Show all hidden detail.

(12 marks)



Plan

Sectional Elevation on A-A

a	
b	
c	
d	
e	
f	
g	
h	
i	
j	
k	
l	
m	
n	