



2011 Graphic Communication

Standard Grade – General

Finalised Marking Instructions

© Scottish Qualifications Authority 2011

The information in this publication may be reproduced to support SQA qualifications only on a non-commercial basis. If it is to be used for any other purposes written permission must be obtained from SQA's NQ Delivery: Exam Operations Team.

Where the publication includes materials from sources other than SQA (secondary copyright), this material should only be reproduced for the purposes of examination or assessment. If it needs to be reproduced for any other purpose it is the centre's responsibility to obtain the necessary copyright clearance. SQA's NQ Delivery: Exam Operations Team may be able to direct you to the secondary sources.

These Marking Instructions have been prepared by Examination Teams for use by SQA Appointed Markers when marking External Course Assessments. This publication must not be reproduced for commercial or trade purposes.

**2011 Graphic Communication SG General
Marking Instructions**

- | | | | | |
|----------|-------------------|-------------|--|------|
| 1 | Sign Type | Warning | | |
| | Border Colour | Black | | |
| | Background Colour | Yellow | | |
| | Sign Type | Prohibition | | |
| | Border Colour | Red | | |
| | Background Colour | White | | |
| | Sign Type | Mandatory | | |
| | Border Colour | | | |
| | Background Colour | Blue | | KI 8 |

TOTAL KI 8

- | | | | | | |
|----------|------------|--------------------|--|---|------|
| 2 | (a) | (i) | Colour | Orange | |
| | | (ii) | Colour | Red | |
| | | (iii) | Colour | Green | |
| | | (iv) | Colour | Blue, Blue-Violet, Violet, Red-Violet, Red (Purple) | |
| | | (v) | Colour | Violet, Red-Violet, Red-Orange, Orange | KI 5 |
| | (b) | Effect | To give prominence to the subject of the presentation | | KI 1 |
| | (c) | A secondary colour | | | KI 1 |
| | (d) | Colour | Red-Violet | | |
| | | Colour | Red-Orange | | KI 2 |

TOTAL KI 9

- | | | | | | | | |
|----------|------------|------------|---------------------------------------|------------------|--------|------------------|------|
| 3 | (a) | (i) | View 1 | Oblique | View 2 | Isometric | |
| | | | View 3 | 1 Pt Perspective | View 4 | 2 Pt Perspective | |
| | | (ii) | Pictorial not 3D | | | | KI 5 |
| | (b) | 45 degrees | | | | | KI 1 |
| | (c) | Point P | Vanishing | | | | KI 1 |
| | (d) | Line H | Horizon/Eye level/line not horizontal | | | | KI 1 |

TOTAL KI 8

- 4 (a)**
- A Shower Tray
 - B Wash Basin
 - C Sinktop
 - D North (Symbol)
 - E WC
 - F Bath
 - G Brickwork

Only accept answers from BSI symbols sheet

KI 7

- (b)**
- H Floor
 - I Site
 - J Location/Block

KI 3

TOTAL KI 10

Question 5

Plan

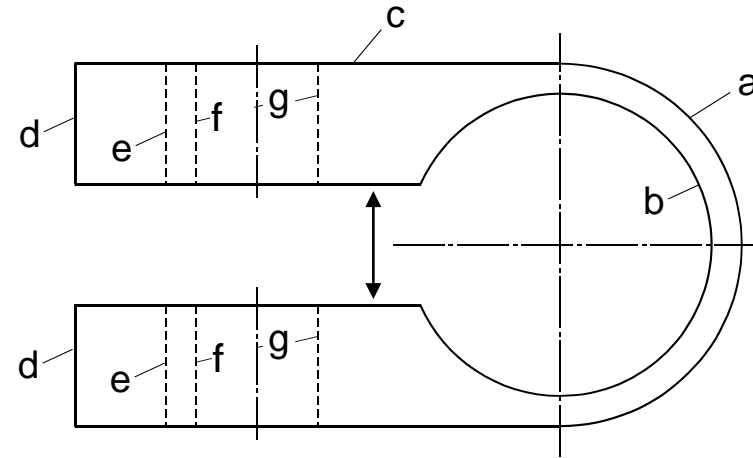
- (a) Circle diameter 60 (½ circle only) 1
- (b) Part circle diameter 50 1
- (c) Length 80 1
- (d) Width 20 (break) 1
- (e) Broken lines 1
- (f) Broken lines 1
- (g) Broken lines 1

Total DA 7

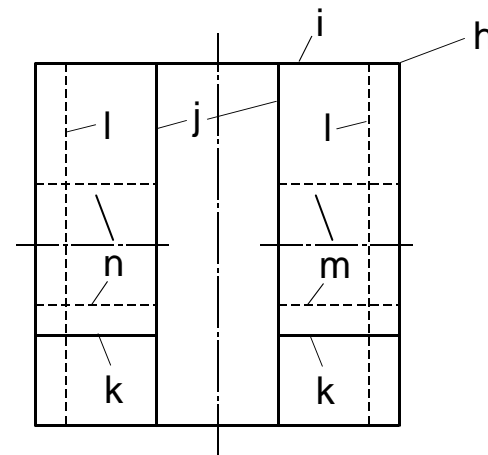
End Elevation

- (h) Correct projection 1
- (i) Width 60 1
- (j) Lines 1
- (k) Horizontal lines 1
- (l) Vertical broken lines 1
- (m) Broken lines 1
- (n) Broken lines 1

Total DA 7



PLAN



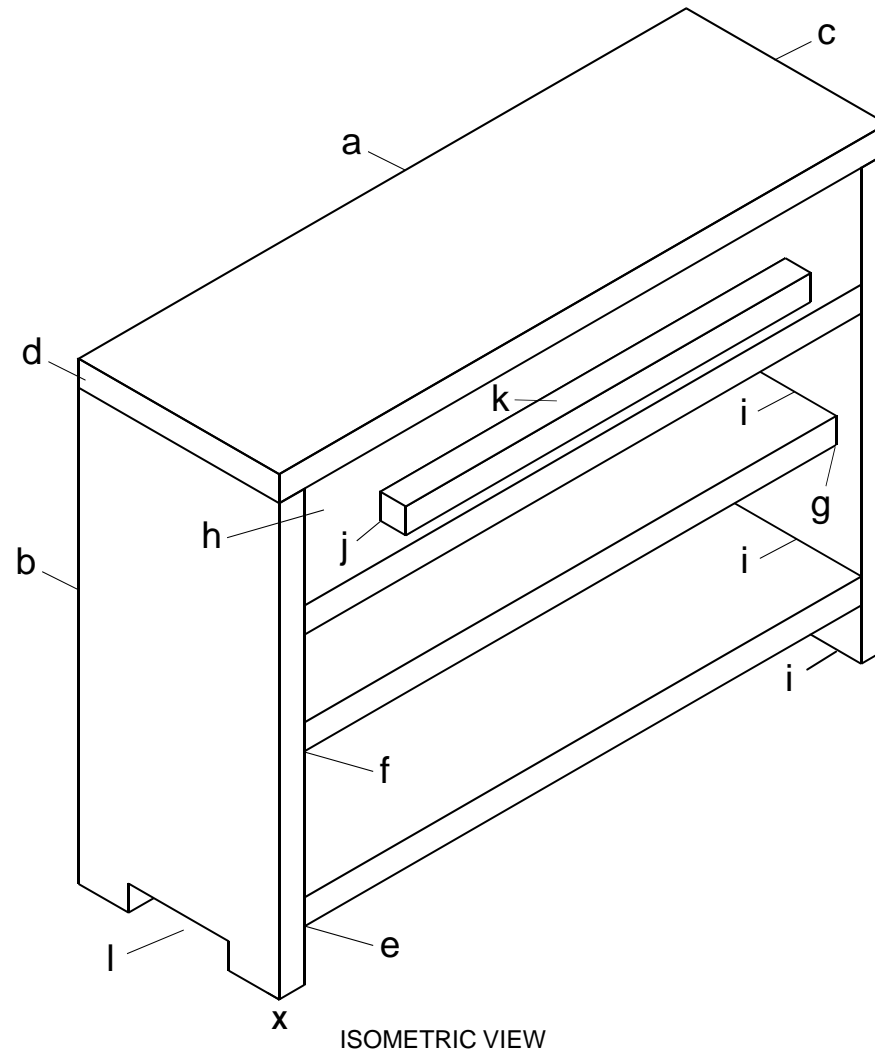
END ELEVATION

Question 6

- (a) Length of crate 120 1
- (b) Height of crate 90 1
- (c) Width of crate 40 1
- (d) Material thickness (4+) 1
- (e) Shelf position 1
- (f) Shelf shown (correct height top or bottom) 1
- (g) Shelf position back correct 1
- (h) Drawer size 1
- (i) Shelf lines (3) 1
- (j) Handle position (as surface detail, correct position + size) 1
- (k) Handle $l \times b \times h$ (correct thickness shown) 1
- (l) End detail (4 lines) 1

Total DA 12

No marks if planometric/oblique or perspective

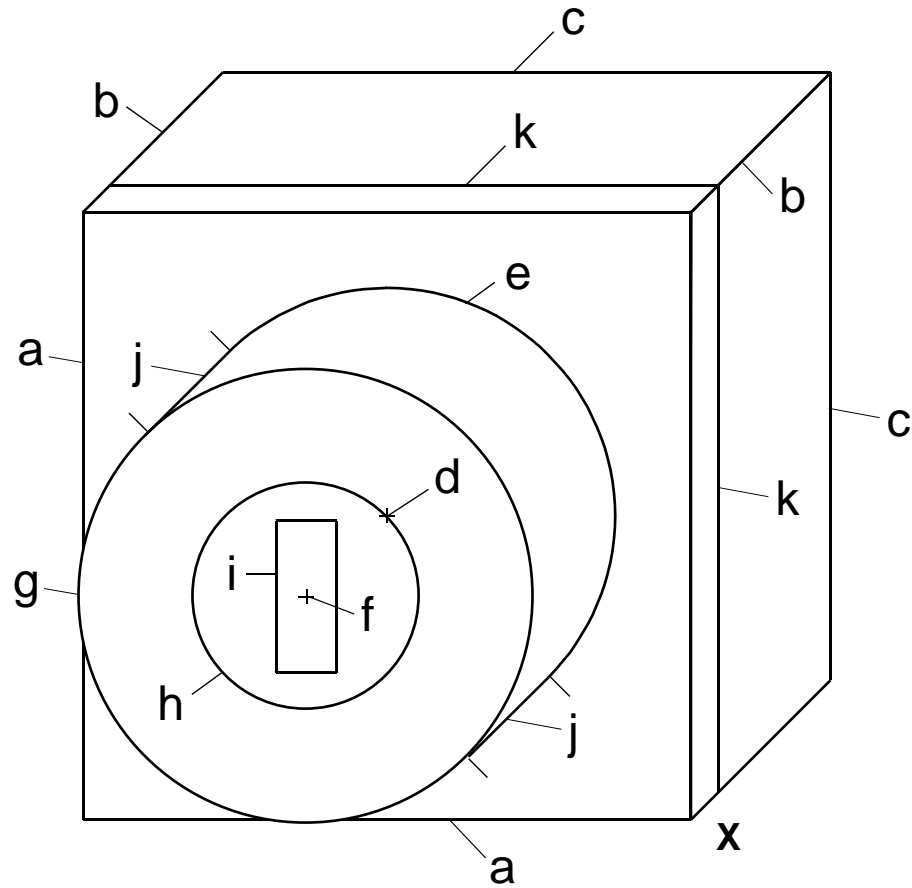


Question 7

- (a) Length and height 1
- * (b) Depth lines (3 half size) 1
- (c) Rear lines (2) 1
- (d) Position of rear circle 1
- (e) Rear circle (full or part) 1
- * (f) Position of front circle 1
- (g) Outer circle 1
- (h) Inner circle surface mounted 1
- (i) Slot size & position surface mounted 1
- (j) Tangent lines 1
- * (k) Lines 1

Total DA 11

* Lose (b) (f) (k) if not 1/2 size



OBLIQUE VIEW

Question 8

End Elevation

- (a) Correct projection 1
- (b) Width 1
- (c) Vertical line (height correct) + (middle line) 1
- (d) Vertical line (height correct) + outside line 1
- (e) Vertical line (height correct) + outside line 1
- (f) Broken line 1
- (g) Line distinct outline 1
- (h) Triangle drawn (4 lines) 1

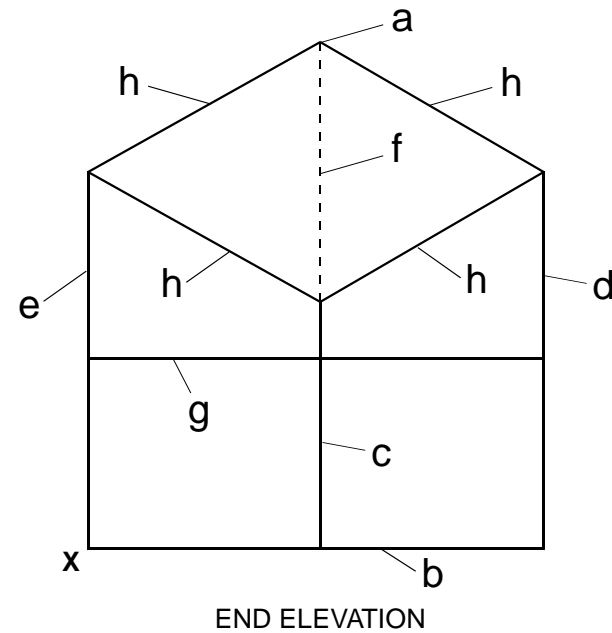
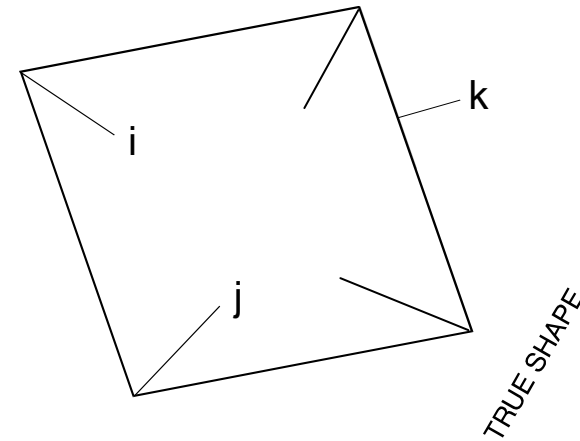
TOTAL DA 8

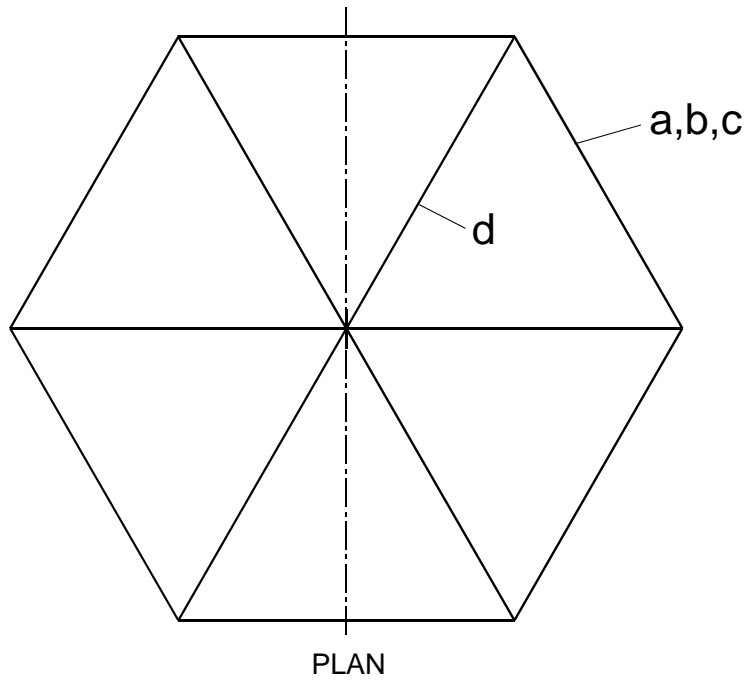
True shape

- (i) True length (proj 90° to surface) for projection 1
- (j) Width 1
- (k) Triangle outline (4 sides must be symmetrical) 1

TOTAL DA 3

Evidence of projection to show width



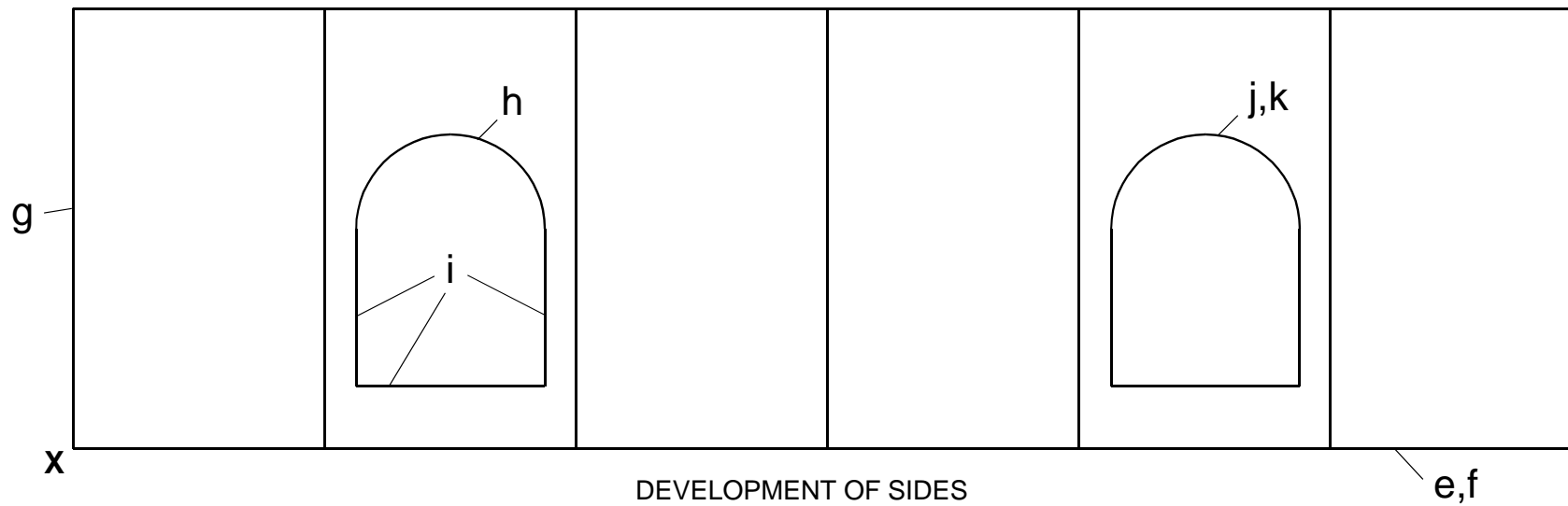


Question 9

- (a) Hex correct size A/C 1
- (b) Hex correct orientation 1
- (c) Drawn as regular hex 1
- (d) Lines to apex (all 6) 1

- (e) Correct length 1
- (f) Six sides (equal panels) 1
- (g) Height 1
- (h) Radius semi circle 1
- (i) 3 lines 1
- (j) Second opening correct size (FTE from (h)) 2
- (k) Spacing correct between openings 1

Total DA 12



[END OF MARKING INSTRUCTIONS]