

STAPLE HERE

F

FOR OFFICIAL USE

--	--	--	--	--	--

# 1330/401

NATIONAL TUESDAY, 17 MAY  
 QUALIFICATIONS 9.00 AM – 10.15 AM  
 2011

GRAPHIC  
 COMMUNICATION  
 STANDARD GRADE  
 Foundation Level

Fill in these boxes and read what is printed below.

Full name of centre

Town

Forename(s)

Surname

Date of birth

Day Month Year

--	--	--	--	--	--

Scottish candidate number

--	--	--	--	--	--	--	--	--	--

Number of seat

1 80 marks are allocated to this paper: 30 marks for Knowledge and Interpretation  
 50 marks for Drawing Abilities

2 Answer all questions.

3 Read each question carefully before you answer.

4 Written answers may be in **ink** or **pencil**.

5 Drawings and sketches **must be in pencil**.

6 Sketches need only be in line form—do not spend time rendering.

7 Dimensions are given in millimetres or as stated.

8 Orthographic drawings are in third angle projection.

9 For each question, the element being tested and the mark allocation are shown in brackets, eg (DA 5) means a question on Drawing Abilities worth 5 marks.

10 **At the end of the examination**

check that your name is on every sheet;

put the sheets in correct numerical order;

place this sheet on top of the others;

join all sheets together by **stapling** at the top left-hand corner;

before leaving the examination room, you must give these sheets to the Invigilator (if you do not you may lose all the marks for this paper).

	KI	DA
1		
2		
3		
4		
5		
6		
7		
8		
Total Marks		



**[BLANK PAGE]**

(a) Complete the table below by indicating with a tick (✓) whether the device is used for input or output.

Name	Input	Output
Mouse		
Laser printer		
Plotter		
Keyboard		
Scanner		

KI 5

(b) A list of software package types is given.

- Spreadsheet
- Word processing
- CAD
- DTP
- Illustration/Paint

Select the most suitable software package to:

(i) produce a letter with text only;

Type of package .....

(ii) produce a set of orthographic drawings for a new building;

Type of package .....

(iii) add colour and tone to a computer produced presentation;

Type of package .....

(iv) produce a magazine article with text and pictures.

Type of package .....

KI 4

Total (KI 9)



Using the Colour Wheel, answer the following questions.

- (a) Complete the table below by indicating with a tick (✓) whether the colours are primary, secondary or tertiary.

COLOUR	PRIMARY	SECONDARY	TERTIARY
RED			
VIOLET			
YELLOW-ORANGE			
BLUE-GREEN			
GREEN			
BLUE			

KI 6

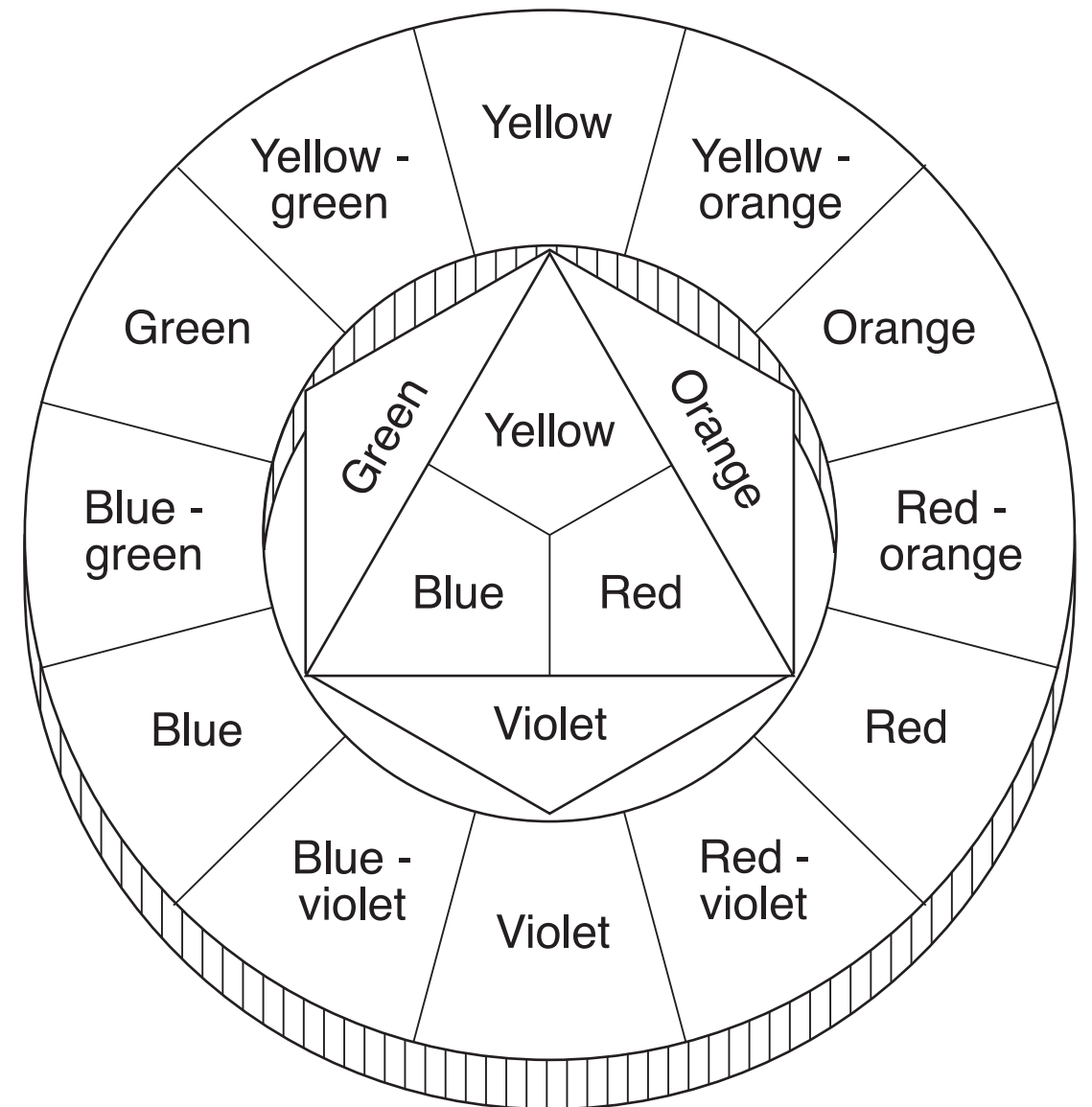
- (b) State **two** colours that are in harmony with yellow.

Colour 1 .....

Colour 2 .....

KI 2

Total (KI 8)



COLOUR WHEEL

Most companies now use computers instead of manual methods for all their graphic needs. There are advantages and disadvantages to this.

(a) Complete the table below by indicating with a tick (✓) whether it is an advantage or a disadvantage.

	ADVANTAGE	DISADVANTAGE
Constant need to update software		
Designs could be produced faster		
Changes are easier to make		
Easier to edit drawings		
Storage of designs would take less space		
New hardware would be expensive		
New designs could be produced from existing designs more easily		



KI 7

(b) State **one** reason why it is important to save your computer work at regular intervals.

Reason .....

.....

KI 1

**Total (KI 8)**

4

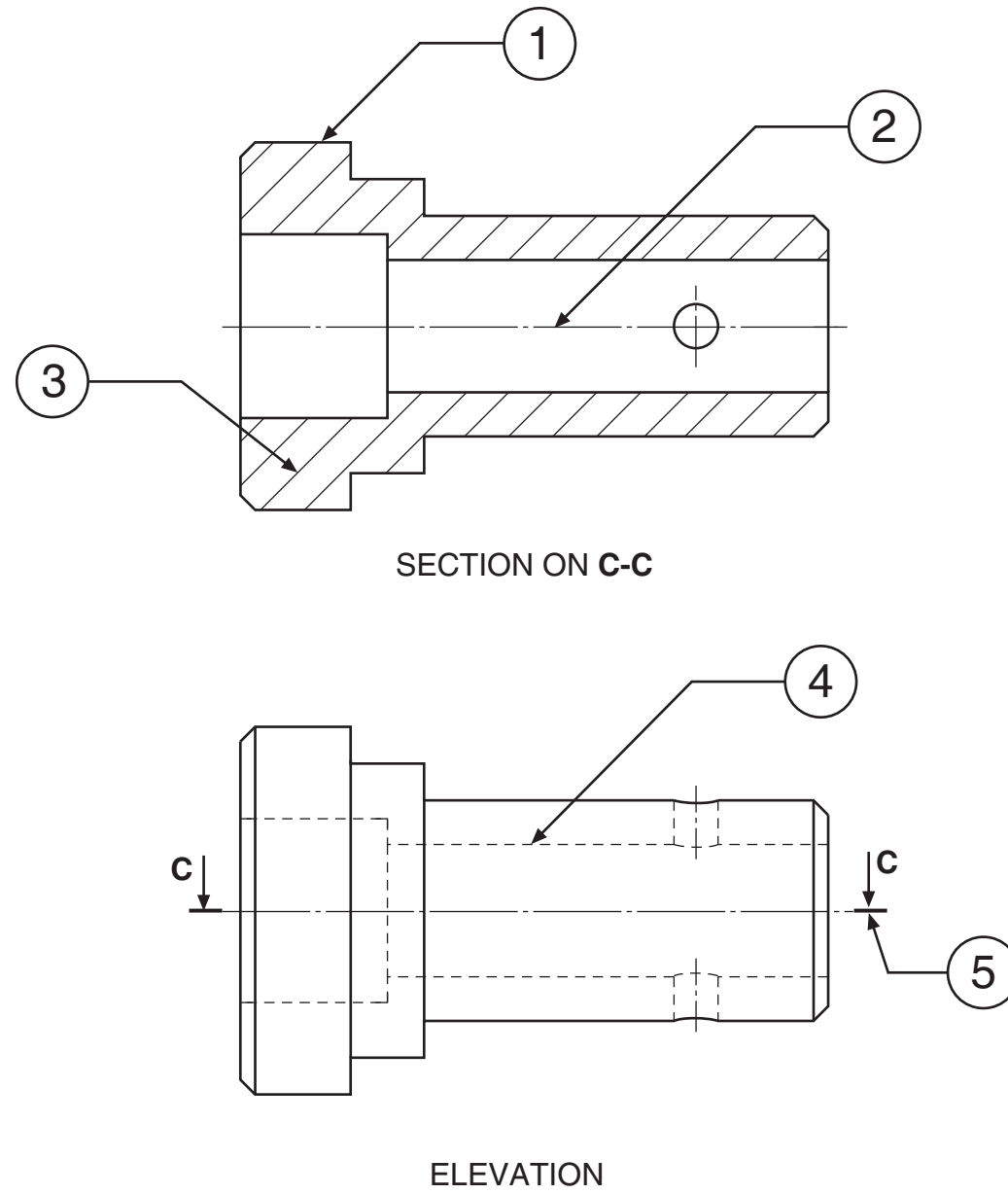
An orthographic drawing, showing a number of different line types indicated, is given opposite.

Complete the given table by adding the number of the line type indicated on the orthographic drawing opposite.

Centre	
Hidden	
Cutting plane	
Outline	
Hatching	

Table of line types

Total (KI 5)



4

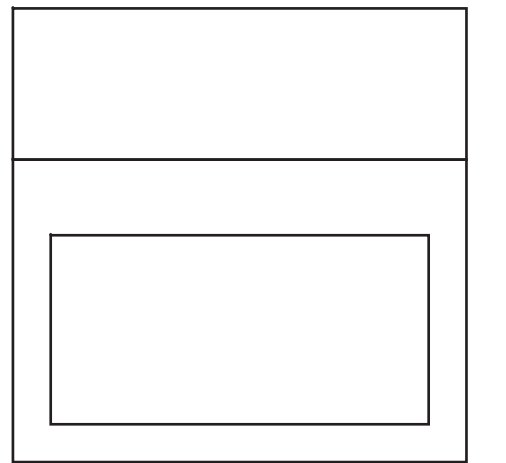
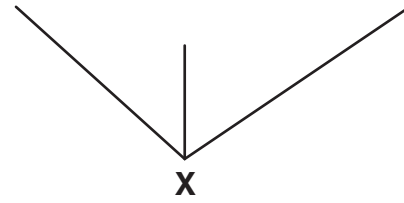


6

VP1

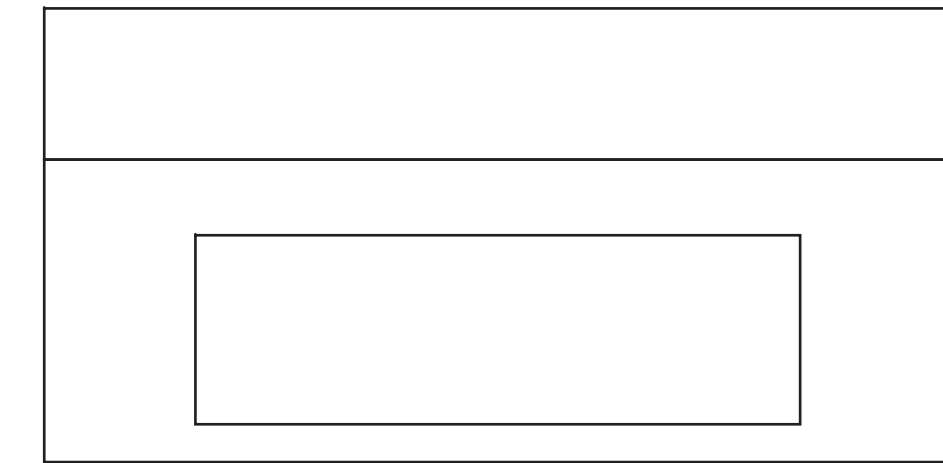
6

VP2



END ELEVATION

X



ELEVATION

X

<i>a</i>	
<i>b</i>	
<i>c</i>	
<i>d</i>	
<i>e</i>	
<i>f</i>	
<i>g</i>	
<i>h</i>	
<i>i</i>	
<i>j</i>	
<i>k</i>	
<i>l</i>	
<i>m</i>	
<i>n</i>	

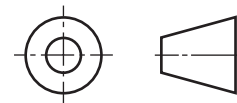
The elevation and end elevation of a shoe box with lid are given.

**Sketch** a two point perspective view of the box and lid, using the vanishing points **VP1** and **VP2** and the given start **X**.

**Do not show hidden detail.**

**A straight edge may be used.**

**Total (DA 10)**





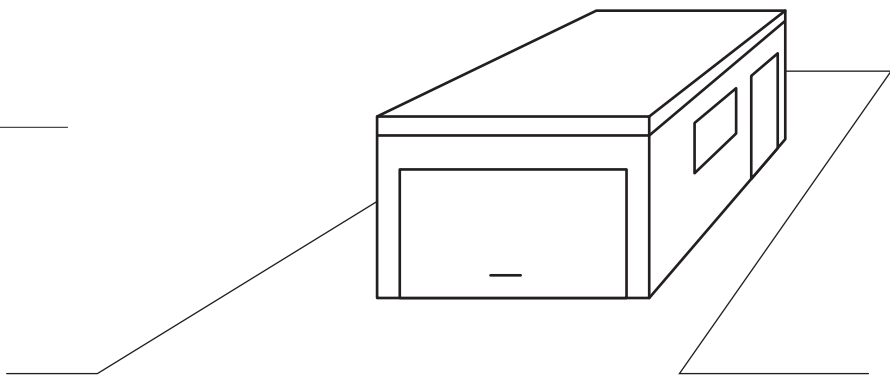
7

The elevation and end elevation of a garage are given.  
A pictorial view is also shown.

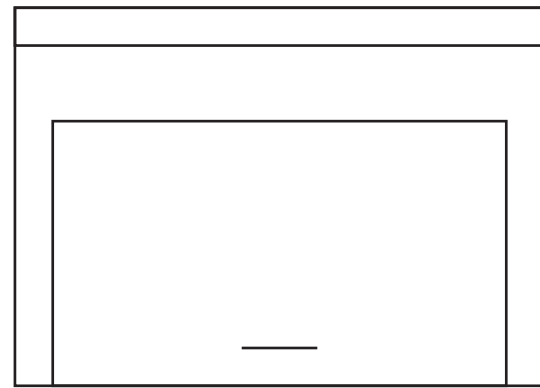
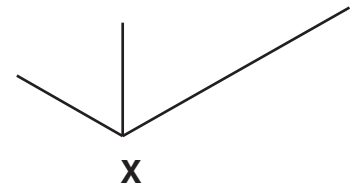
Draw an isometric view of the garage using start point **X**.

Total (DA 12)

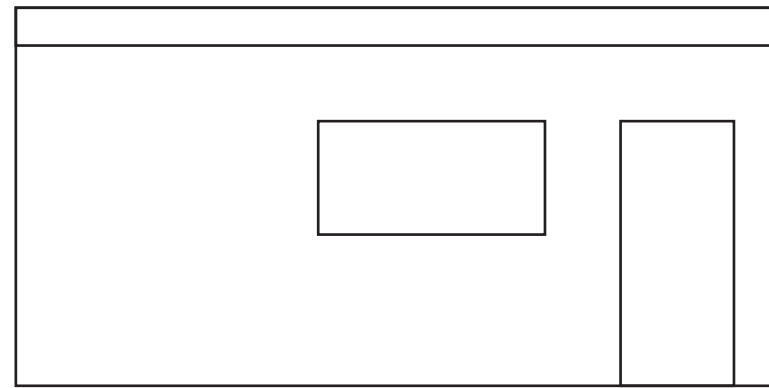
7



PICTORIAL VIEW

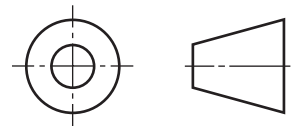


ELEVATION



END ELEVATION

<i>a</i>	
<i>b</i>	
<i>c</i>	
<i>d</i>	
<i>e</i>	
<i>f</i>	
<i>g</i>	
<i>h</i>	
<i>i</i>	
<i>j</i>	
<i>k</i>	
<i>l</i>	
<i>m</i>	
<i>n</i>	



8

A pictorial view of a screen block is shown.

Draw, using the given sizes:

(a) the elevation of the block using the start point X;

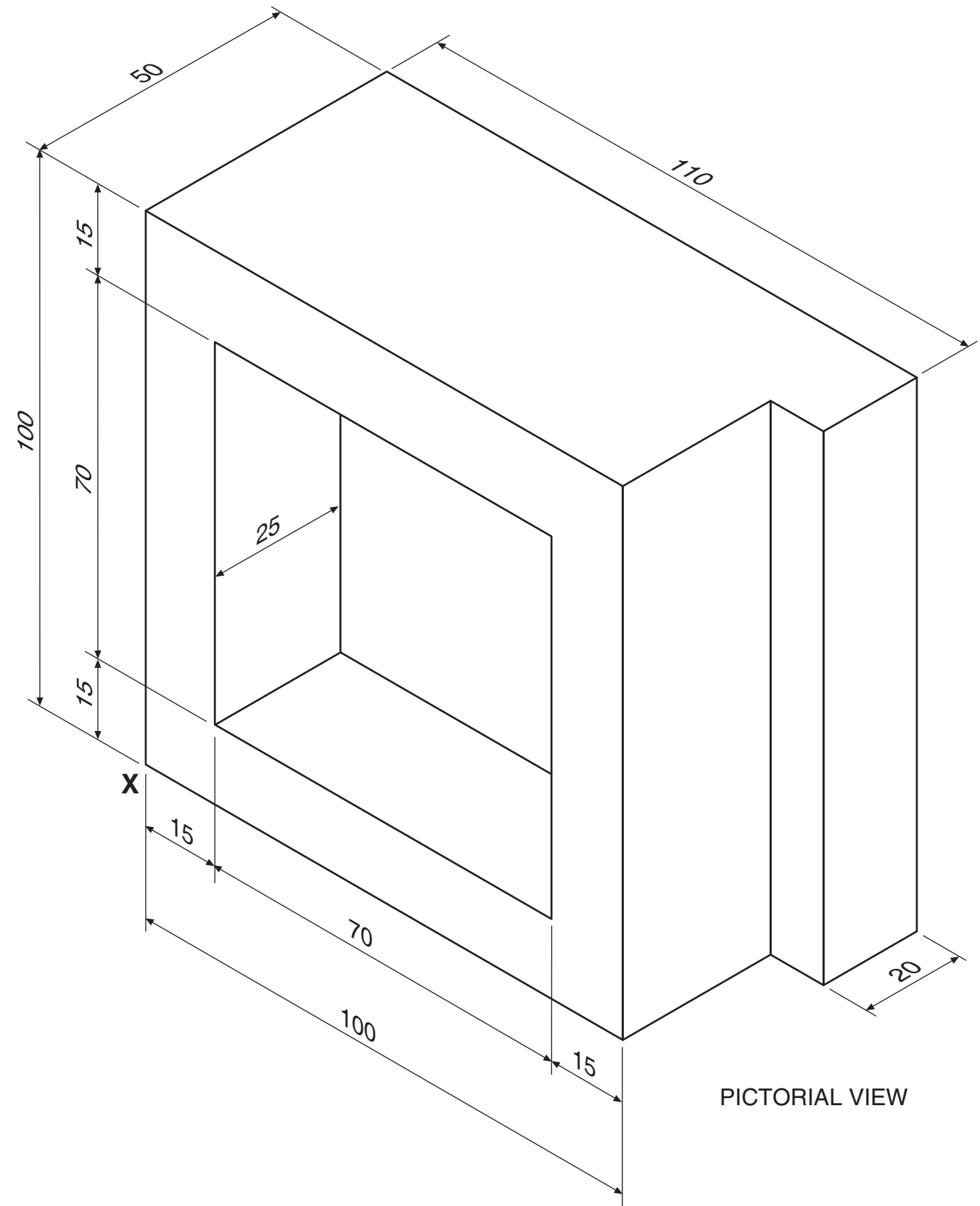
(b) the end elevation.

Show all hidden detail.

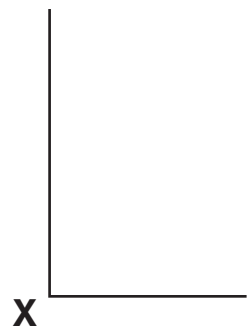
DA 7

DA 6

Total (DA 13)



PICTORIAL VIEW

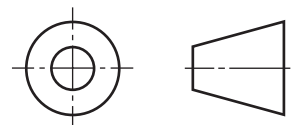


ELEVATION



END ELEVATION

a	
b	
c	
d	
e	
f	
g	
h	
i	
j	
k	
l	
m	
n	



8

## ACKNOWLEDGEMENTS

Question 1 — Photograph containing a BenQ computer. Permission is being sought from BenQ UK Ltd.