

STAPLE HERE

FOR OFFICIAL USE

--	--	--	--	--	--

G

1330/402

NATIONAL
QUALIFICATIONS
2008

WEDNESDAY, 21 MAY
10.35 AM - 12.05 PM

**GRAPHIC
COMMUNICATION
STANDARD GRADE**
General Level

Fill in these boxes and read what is printed below.

Full name of centre				Town			
<input type="text"/>				<input type="text"/>			
Forename(s)				Surname			
<input type="text"/>				<input type="text"/>			
Date of birth		Scottish candidate number				Number of seat	
Day	Month	Year	<input type="text"/>	<input type="text"/>	<input type="text"/>	<input type="text"/>	<input type="text"/>
<input type="text"/>	<input type="text"/>	<input type="text"/>	<input type="text"/>	<input type="text"/>	<input type="text"/>	<input type="text"/>	<input type="text"/>

1 95 marks are allocated to this paper: 35 marks for Knowledge and Interpretation
60 marks for Drawing Abilities

- 2 Answer **all** questions.
- 3 Read each question carefully before you answer.
- 4 Written answers may be in **ink** or **pencil**.
- 5 Drawings and sketches **must be in pencil**.
- 6 Sketches need only be in line form—**do not spend time rendering**.
- 7 Dimensions are given in millimetres or as stated.
- 8 Orthographic drawings are in third angle projection.
- 9 For each question, the element being tested and the mark allocation are shown in brackets, eg (DA 5) means a question on Drawing Abilities worth 5 marks.
- 10 **At the end of the examination**

check that your name is on every sheet;
put the sheets in correct numerical order;
place this sheet on top of the others;
join all sheets together by **stapling** at the top left-hand corner;
before leaving the examination room, you must give these sheets to the invigilator (if you do not you may lose all the marks for this paper).

	KI	DA
1		
2		
3		
4		
5		
6		
7		
8		
9		
Total Marks		

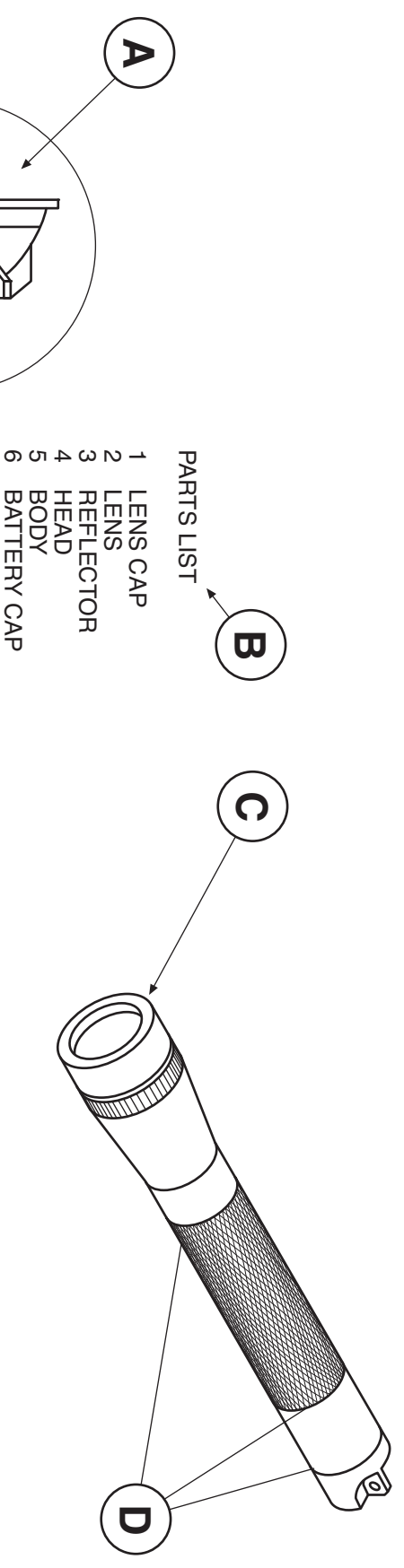


[BLANK PAGE]

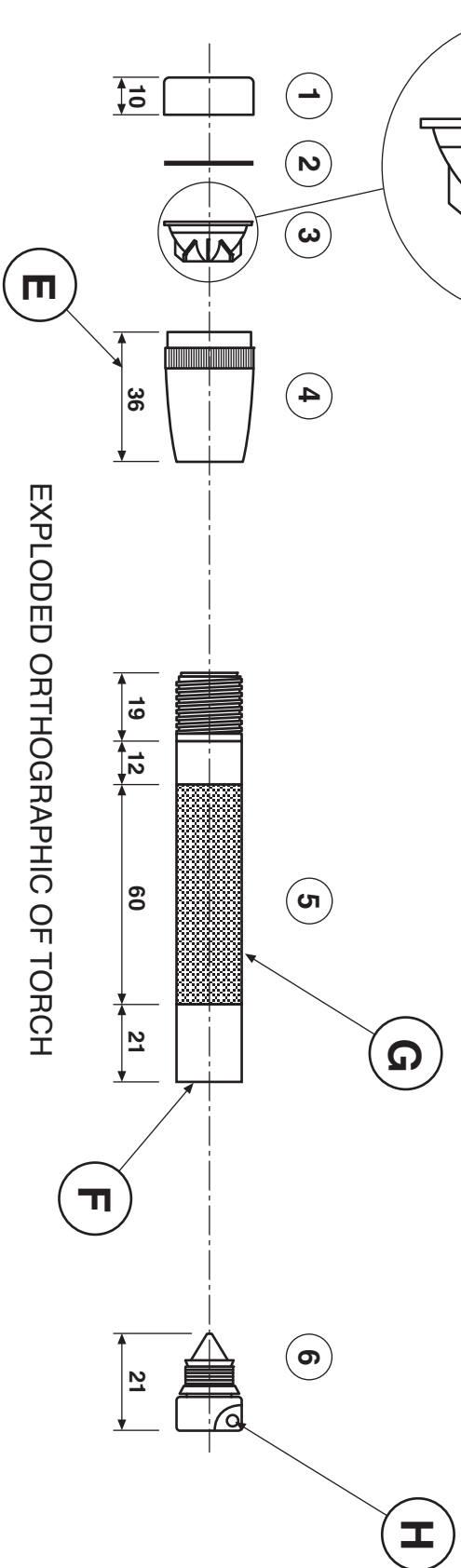
Drawings of a metal bodied torch are shown opposite. State the single CAD command that would be used to create the following details.

- (a) To draw the enlarged feature at **A**
Command
- (b) To create the parts list at **B**
Command
- (c) To draw the curved feature at **C**
Command
- (d) To draw the three identical curves shown at **D**
Command
- (e) To add the size at **E**
Command
- (f) To draw the straight line at **F**
Command
- (g) To draw the pattern at **G**
Command
- (h) To draw the feature at **H**
Command
- (i) To draw the curved feature at **I**
Command
- (j) To draw the assembly of the torch facing the other way at **J**
Command

Total (KI 10)



- PARTS LIST
- 1 LENS CAP
 - 2 LENS
 - 3 REFLECTOR
 - 4 HEAD
 - 5 BODY
 - 6 BATTERY CAP

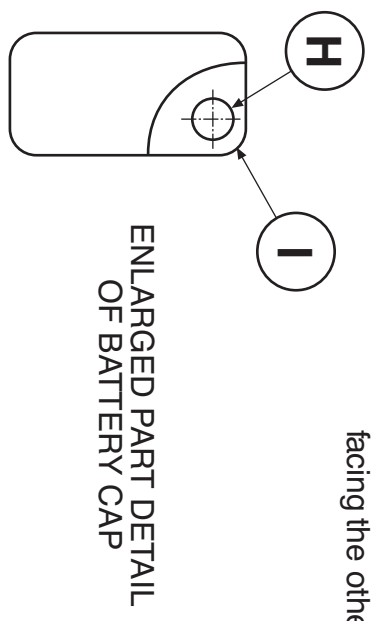


EXPLODED ORTHOGRAPHIC OF TORCH



ASSEMBLY OF TORCH

ASSEMBLY OF TORCH facing the other way



ENLARGED PART DETAIL OF BATTERY CAP

A pictorial view and plans of a house are shown opposite.

- (a) (i) State the type of pictorial view shown at **A**.

Pictorial View A

- (ii) State **one** reason the architect used this type of view.

Reason

..... **KI 2**

- (b) State the types of plan shown at **B, C** and **D**.

Plan B

Plan C

Plan D **KI 3**

- (c) From the list of scales given below, state an appropriate scale for **Plan B**.

1 : 100

1 : 500

1 : 1250

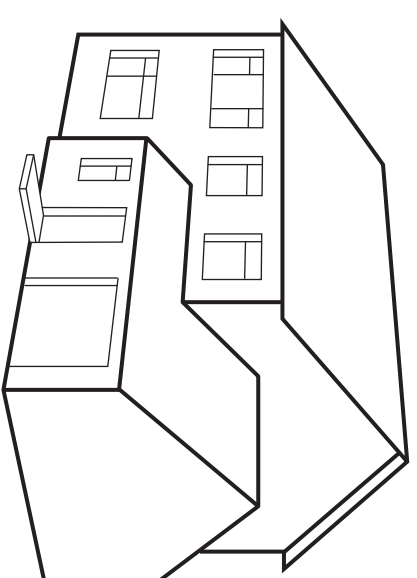
1 : 2500

Scale **KI 1**

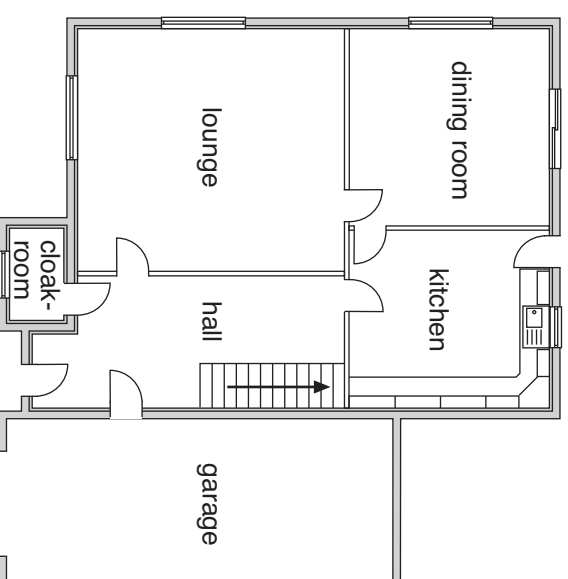
- (d) State what the **symbol X** on **Plan C** represents.

Symbol X **KI 1**

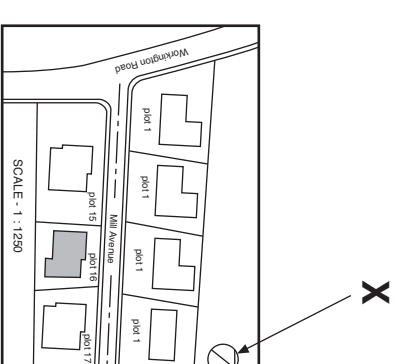
Total (KI 7)



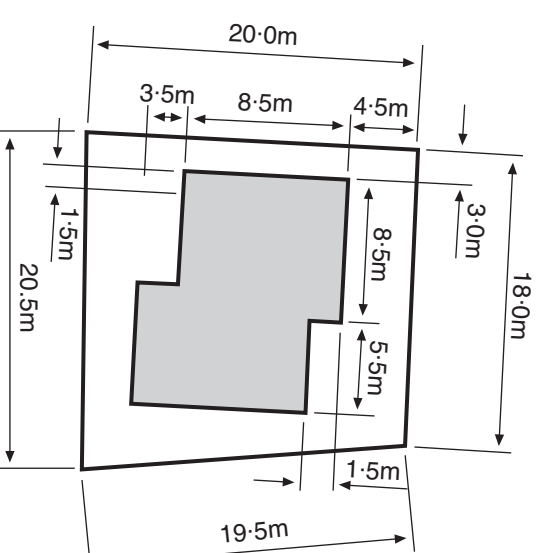
VIEW A



PLAN B



PLAN C



PLAN D

A number of different pictorial drawings are given opposite.

(a) State the names given to the types of pictorial shown at **P, Q, R** and **S**.

View P **View Q**

View R **View S**

KI 4

(b) State the name given to line **L** on **View P**.

Answer

KI 1

(c) State the angles used at **M** and **N** on **View Q**.

Angle **M** Angle **N**

KI 2

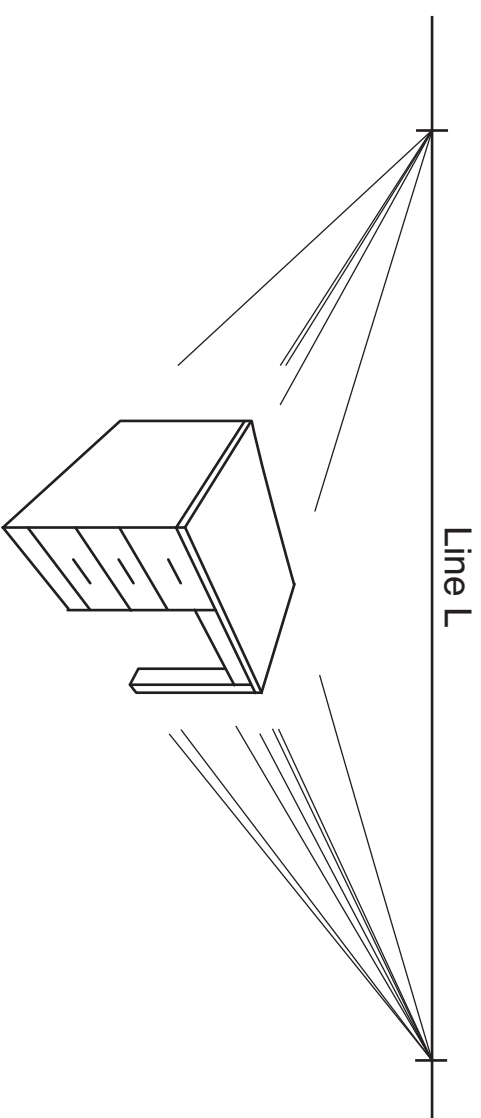
(d) State **one** advantage of using **View S** when drawing pictorials.

Advantage

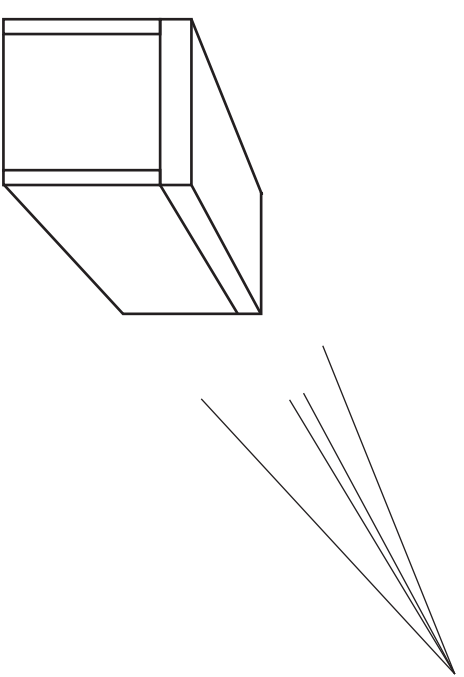
.....

KI 1

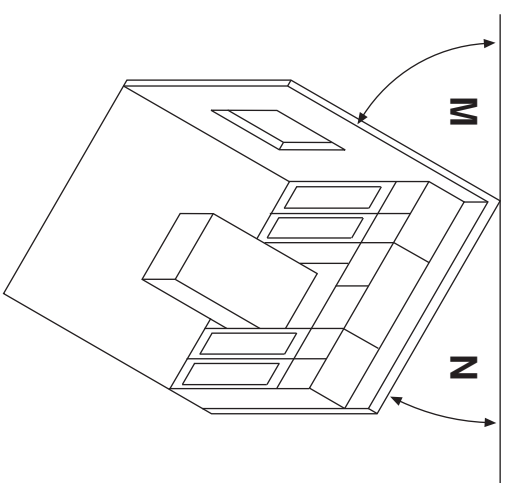
Total (KI 8)



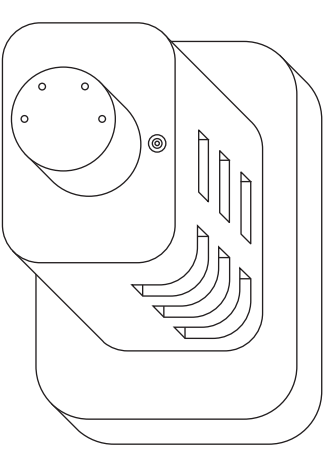
View P



View R



View Q



View S

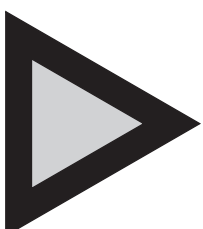
Graphic communication uses many different types of symbol to communicate information. Look at the symbols shown and answer the questions.

(a) State the name given to the three types of safety signs shown at **A**, **B** and **C**.

A

B

C **KI 3**



Sign A



Sign B



Sign C

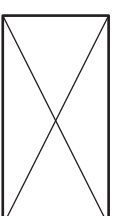
(b) State what each of the architectural symbols shown at **D** to **J** represents.

D **E** **F**

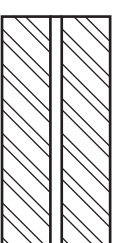
G **H** **I**

J **KI 7**

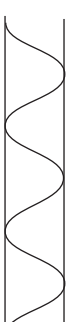
Total (KI 10)



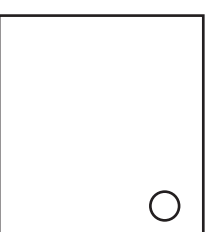
D



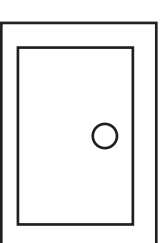
E



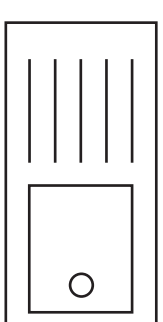
F



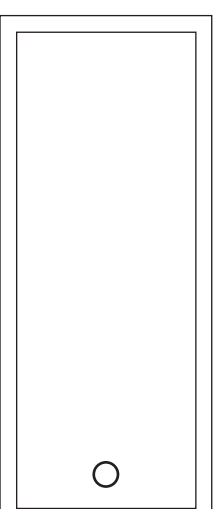
G



H



I



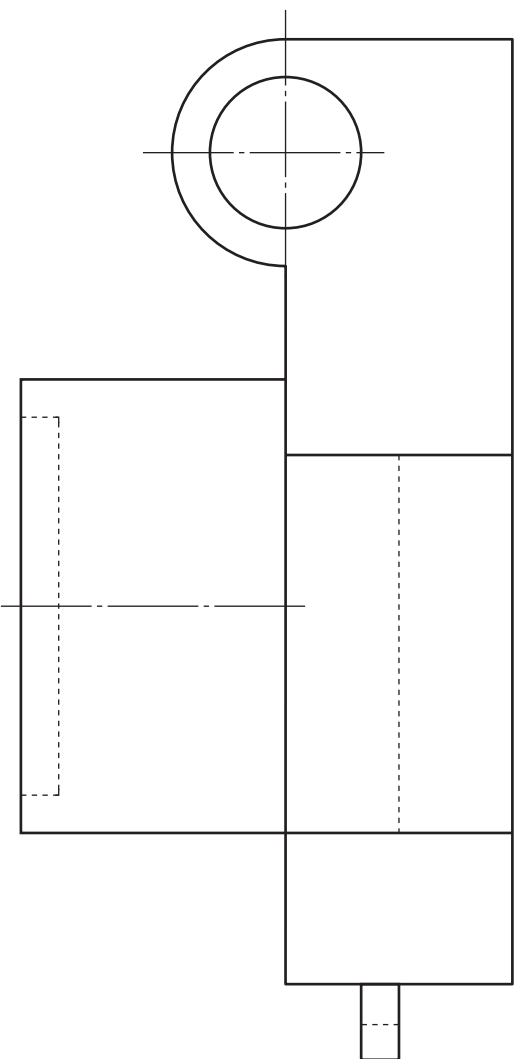
J

The pictorial view of a camera is shown. The elevation and plan views are given.

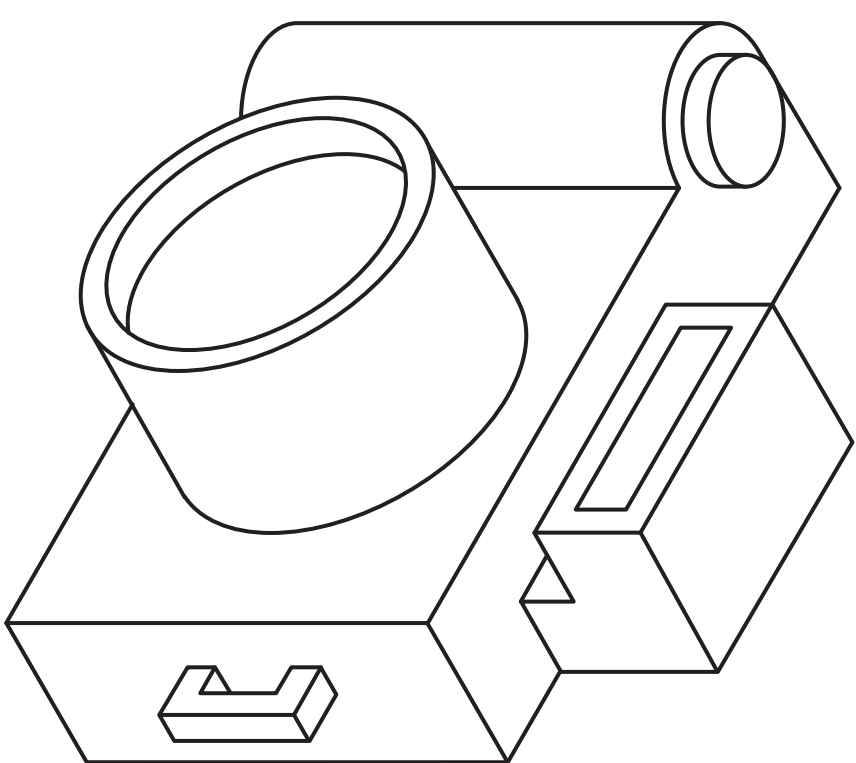
Draw the end elevation.

Show hidden detail.

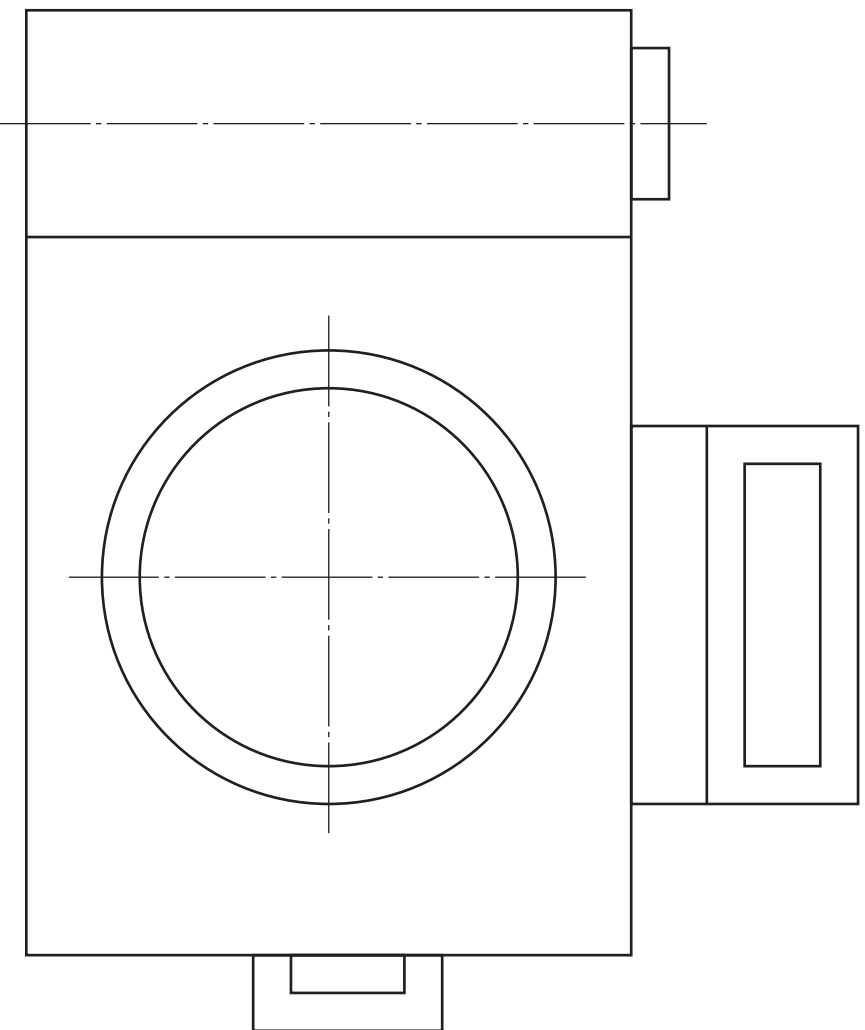
Total (DA 12)



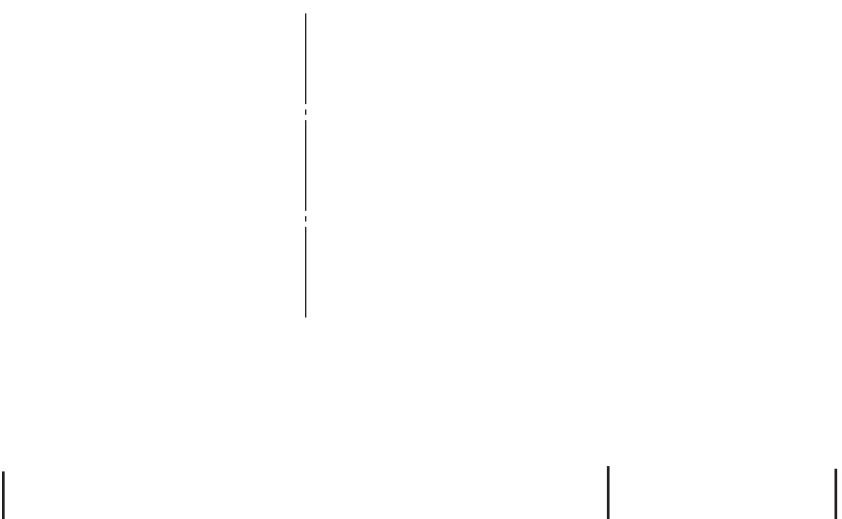
PLAN



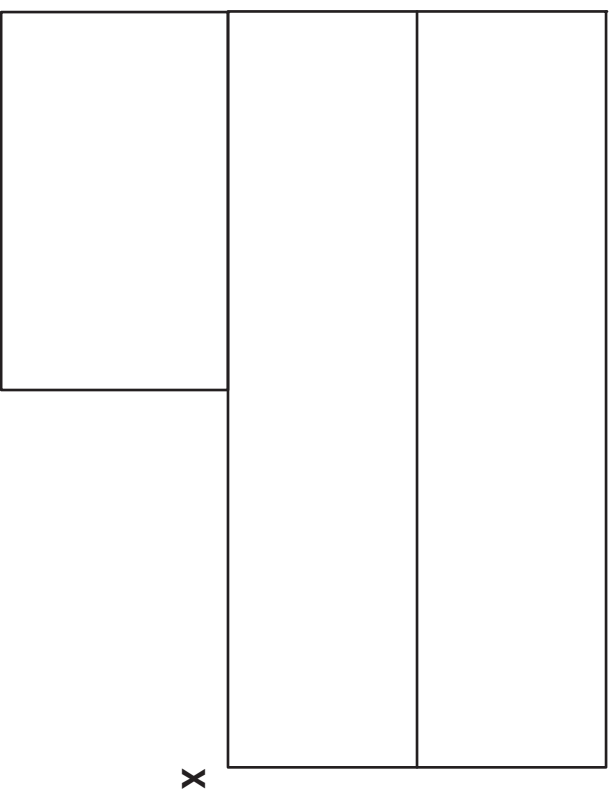
NOT TO SCALE



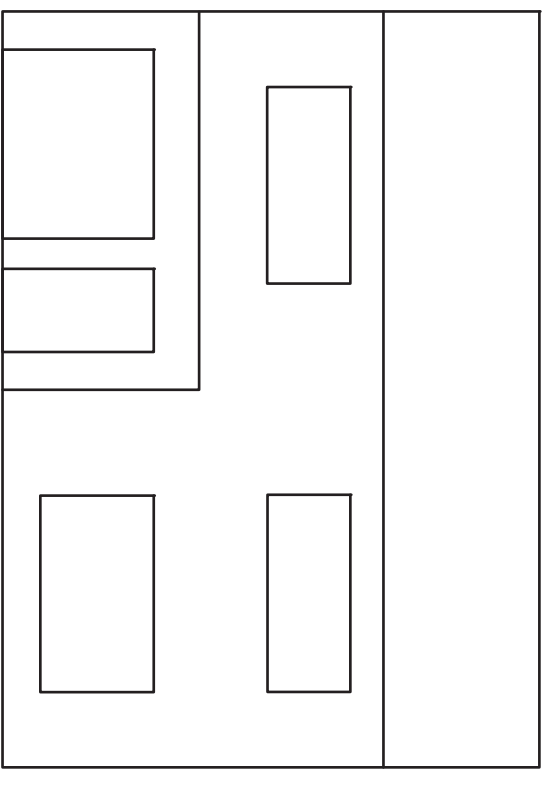
ELEVATION



END ELEVATION

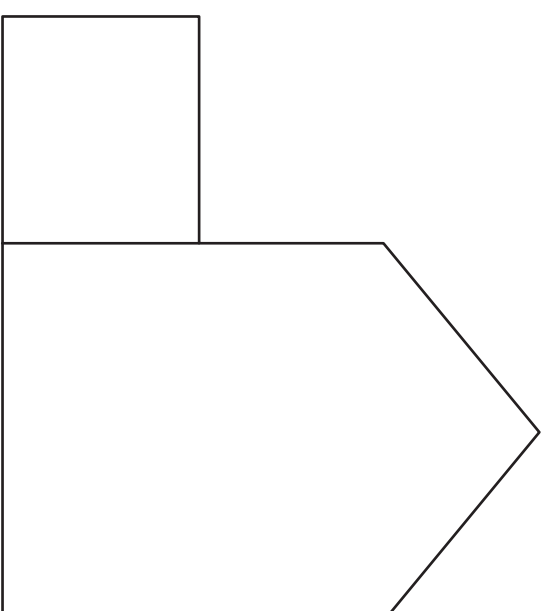
VP1
+

PLAN



ELEVATION

[1330/402]

VP2
+

END ELEVATION



The elevation, end elevation and plan of a detached house and garage are given.

Sketch, in good proportion, a 2-point perspective view of the house and garage, using vanishing points **VP1**, **VP2** and starting point **X**.

Do not show hidden detail.

A straight edge may be used.

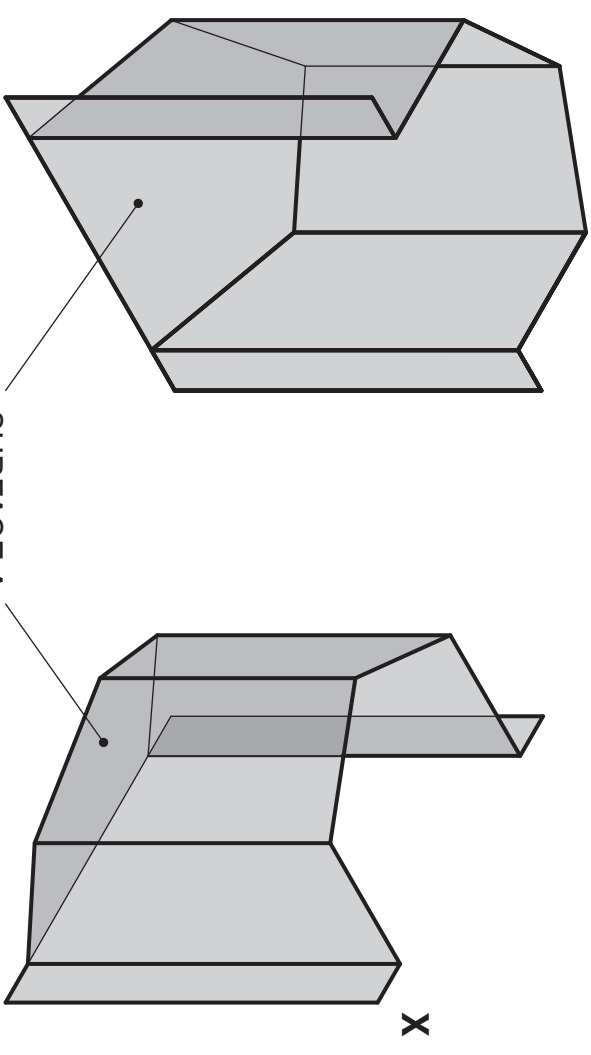
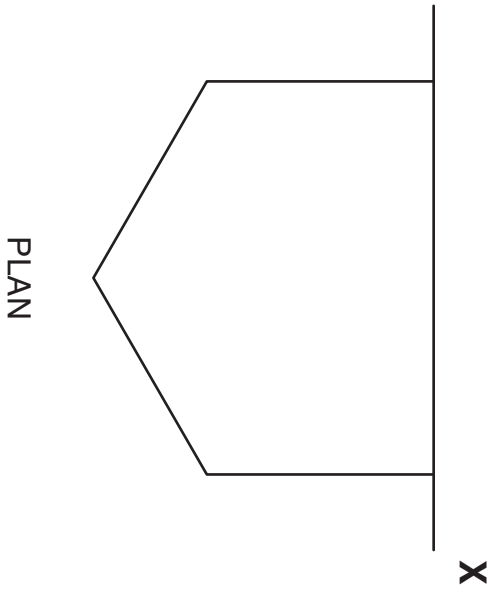
Total (DA 11)

VP2
+

Two pictorial views of a wall light shade are shown. The shape is based on a part hexagonal prism. The end elevation and plan are given.

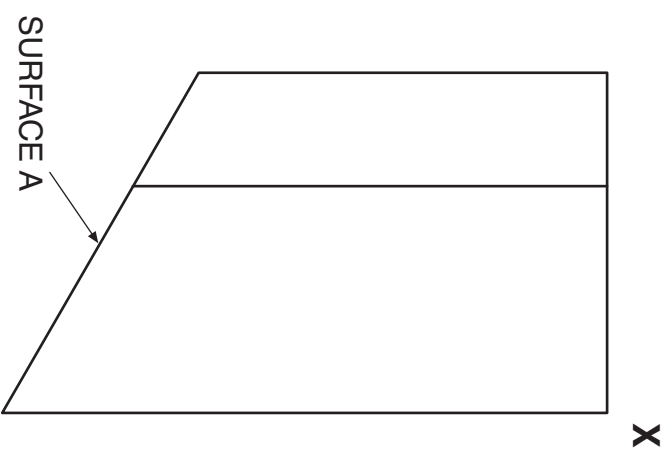
- Draw:**
- (a) the elevation;
 - (b) the development of the sides;
 - (c) the true shape of surface A.

DA5	DA5
DA5	DA5
DA3	DA3
Total	(DA13)

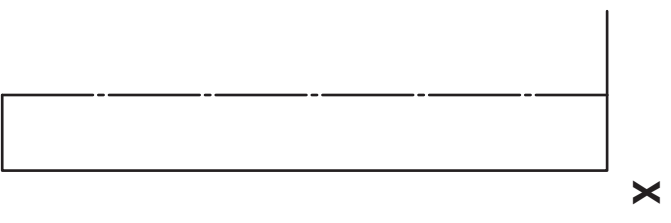


TRUE SHAPE

ELEVATION



DEVELOPMENT OF SIDES

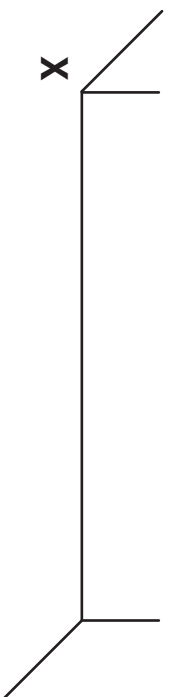


The elevation, end elevation and plan of a central heating timer are given.

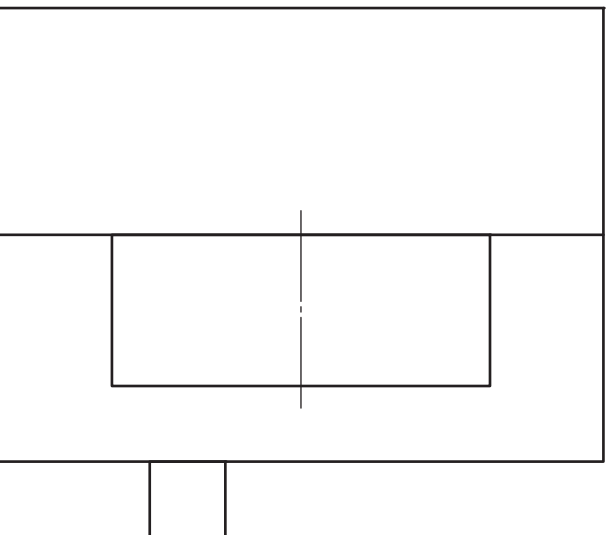
Draw an oblique view, using the given start **X**.

Do not show hidden detail.

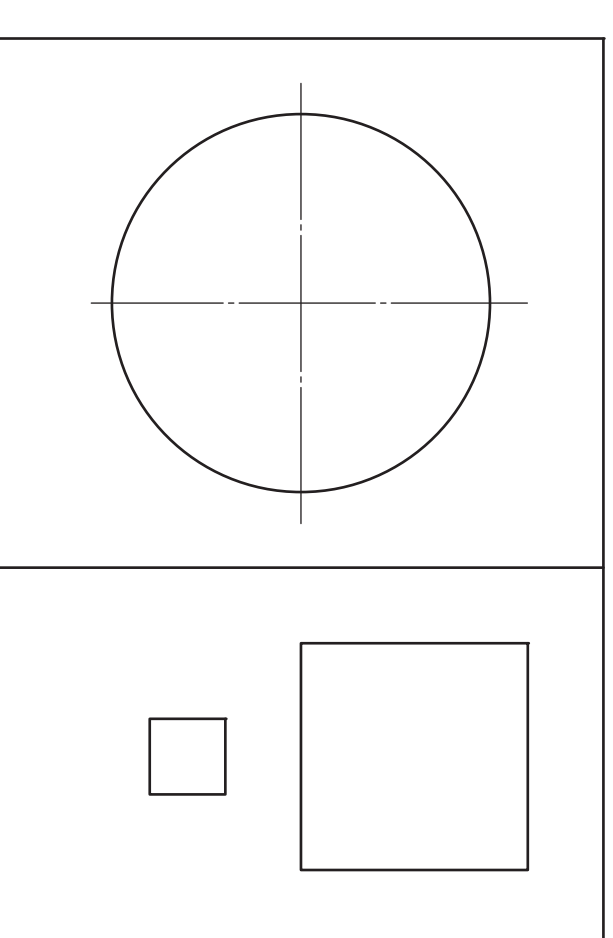
Lines at 45° should be drawn half full size. **Total (DA 14)**



OBLIQUE VIEW

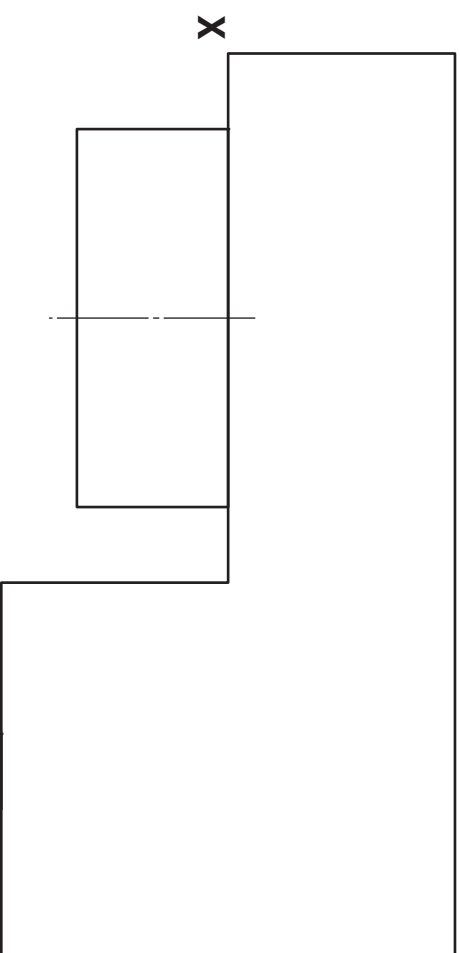


END ELEVATION



ELEVATION

PLAN



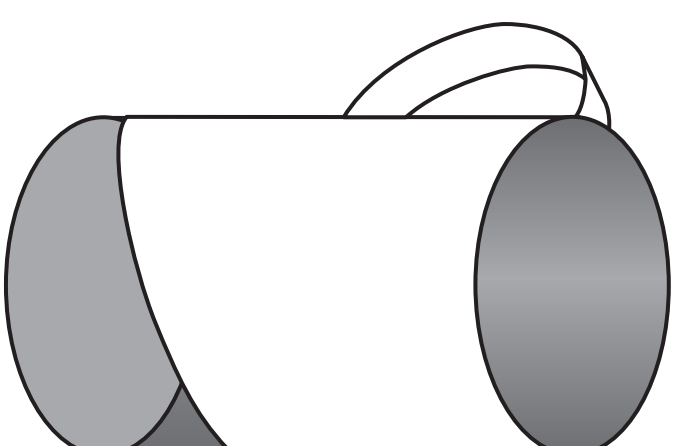
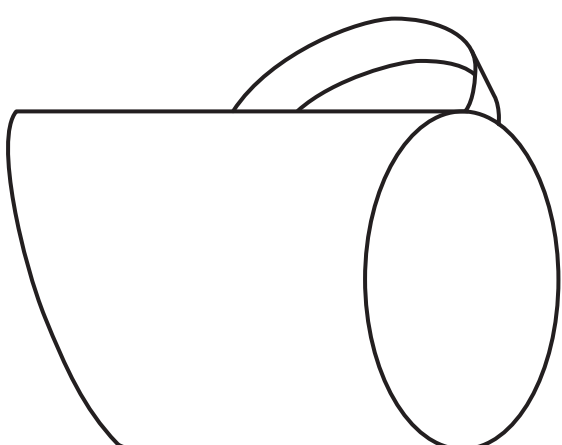
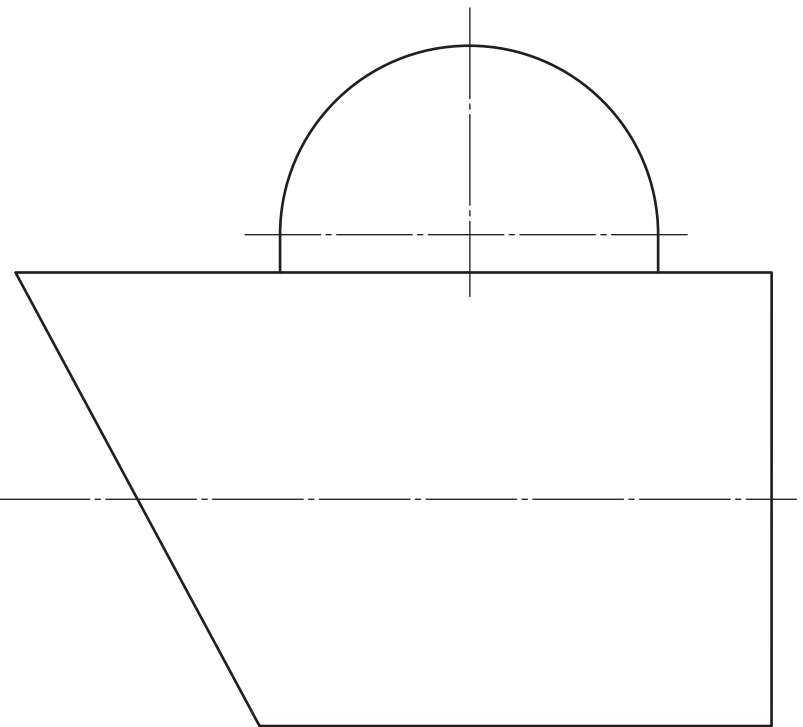
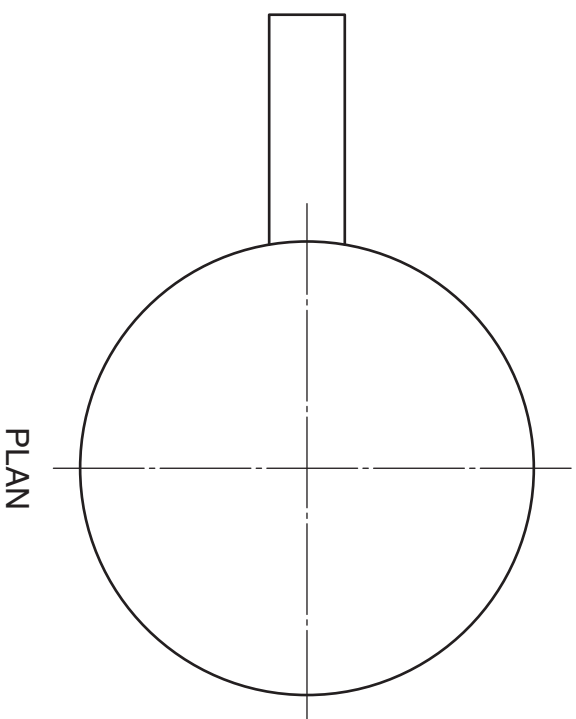
An elevation and plan of the metal sleeve from a drinking glass are given.

A pictorial sketch of the drinking glass and sleeve are also shown.

From the given elevation of the sleeve, **draw** the end elevation.

Show hidden detail.

Total (DA 10)



[BLANK PAGE]