



UNIVERSITY OF CAMBRIDGE INTERNATIONAL EXAMINATIONS  
General Certificate of Education Ordinary Level

---

**WOODWORK**

**6030/02**

Paper 2 Practical Test

**October/November 2009**

**3 hours**

Additional Materials: As listed in the Confidential Instructions

---

**READ THESE INSTRUCTIONS FIRST**

All dimensions are in millimetres.  
The insert contains the orthographic drawing.



---

This document consists of **3** printed pages and **1** blank page and an insert.



The pictorial drawing shows the underframe of a coffee table.

You are required to:

- (a) make the part of the table enclosed within the curved shape to the dimensions shown in the working drawing;
- (b) join part **D** to part **C** by means of an appropriate joint;
- (c) lightly clean off all pieces with a finely set smoothing plane before final assembly.

The following pieces of wood, previously prepared, are to be used:

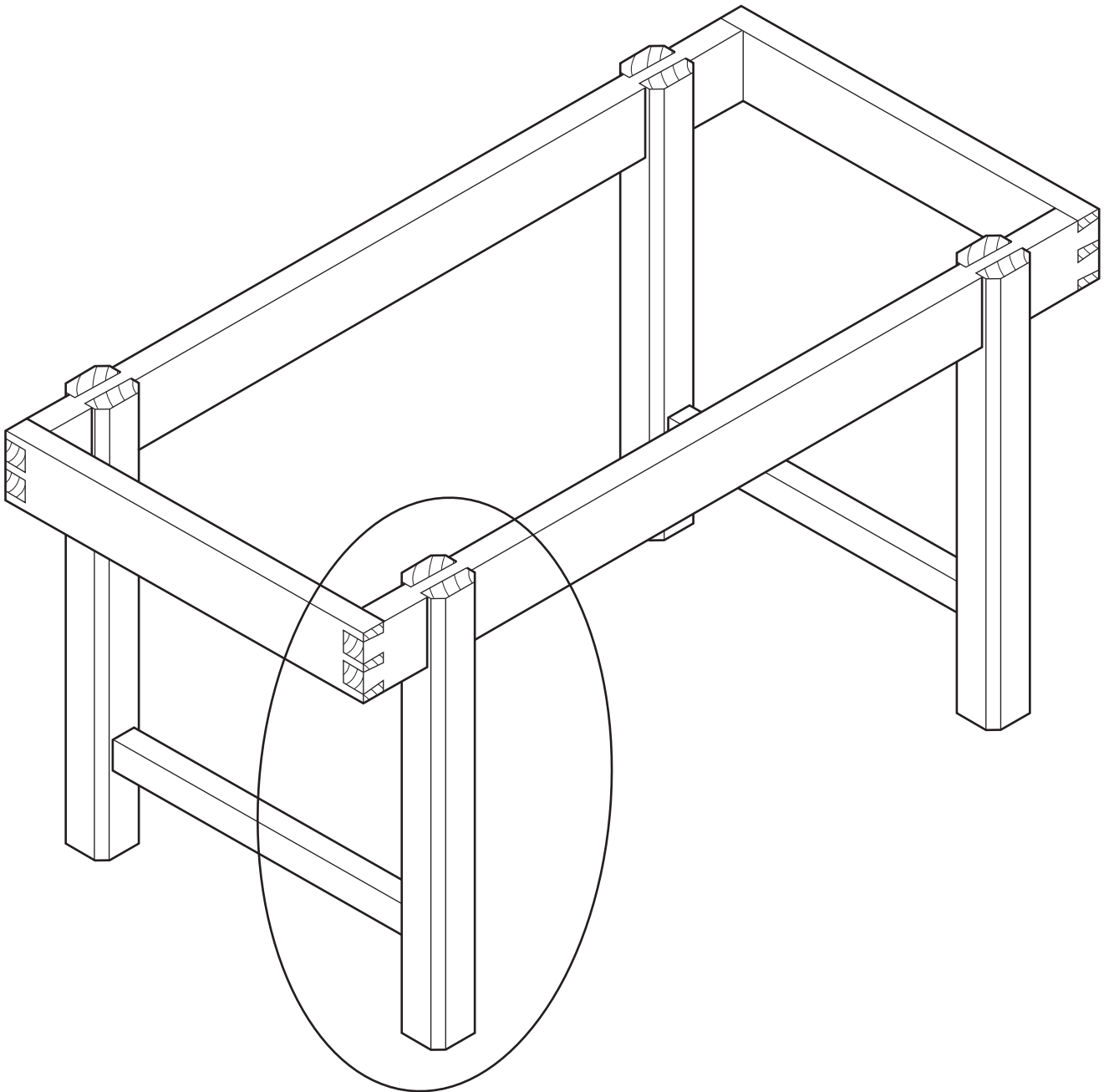
one piece 300 long planed to 60 wide and 22 thick (Parts **A** and **B**);

one piece 190 long planed to 36 wide and 36 thick (Part **C**);

one piece 100 long planed to 30 wide and 18 thick (Part **D**).

#### *General Notes*

- 1 A second supply of wood is **not** allowed. If you make a mistake, do your best to work as near as possible to the details given in the drawing. All pieces of wood should be finished to the correct lengths and their ends neatly trimmed with a plane.
- 2 Any dimensions omitted are left to your discretion.
- 3 Attempt to finish all parts of the test but remember that a partly completed piece of good quality may gain more marks than one which is complete but inaccurate or poorly finished.
- 4 You may use any of the ordinary hand tools but the use of adhesives, glasspaper, files, rasps and scrapers is not allowed.
- 5 Write your Name and Examination Number boldly and clearly on **each** of the pieces of wood in capital letters and numbers 6 mm high. If you do not complete the test, you must nevertheless return all the wood, with the exception of the waste.
- 6 Assemble your work before handing it to the Supervisor.



THE UNDERFRAME OF A COFFEE TABLE

**BLANK PAGE**

---

Permission to reproduce items where third-party owned material protected by copyright is included has been sought and cleared where possible. Every reasonable effort has been made by the publisher (UCLES) to trace copyright holders, but if any items requiring clearance have unwittingly been included the publisher will be pleased to make amends at the earliest possible opportunity.

University of Cambridge International Examinations is part of the Cambridge Assessment Group. Cambridge Assessment is the brand name of University of Cambridge Local Examinations Syndicate (UCLES), which is itself a department of the University of Cambridge.