

CAMBRIDGE INTERNATIONAL EXAMINATIONS
General Certificate of Education Ordinary Level

WOODWORK

6030/02

Paper 2 Practical Test

October/November 2003

Additional Materials: As listed in Instructions to Supervisors

3 hours

READ THESE INSTRUCTIONS FIRST

Please see Page 2.

All dimensions are in millimetres.

The insert contains the orthographic drawing.

This document consists of **3** printed pages, **1** blank page and an insert.



The pictorial drawing shows a wall cabinet.

You are required to:

- (a) make the end enclosed in the ellipse, to the dimensions shown in the working drawing;
- (b) join part D to part A by means of an appropriate joint;
- (c) apply appropriate shaping to the foot of piece A;
- (d) lightly clean off all pieces with a finely set smoothing plane before final assembly.

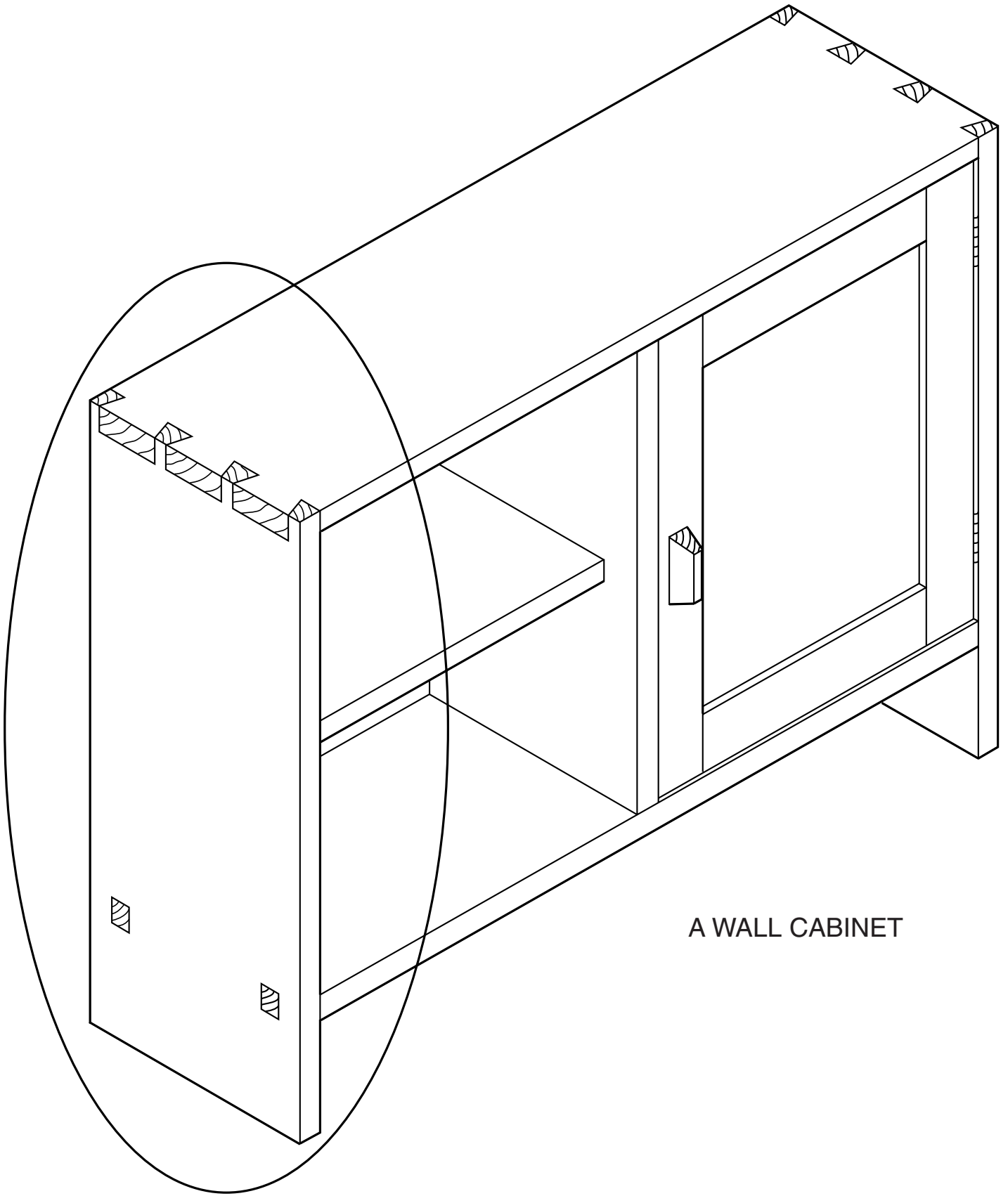
The following pieces of wood, previously prepared, are to be used:

One piece 410 long planed to 90 wide and 15 thick (Parts A, B and C).

One piece 90 long planed to 75 wide and 12 thick (Part D).

General Notes

- 1 A second supply of wood is **not** allowed. If you make a mistake do your best to work as near as possible to the details given in the drawing. All pieces of wood should be finished to the correct lengths and their ends neatly trimmed with a plane.
- 2 Any dimensions omitted are left to your discretion.
- 3 Attempt to finish all parts of the test but remember that a partly completed piece of good quality may gain more marks than one which is complete but inaccurate or poorly finished.
- 4 You may use any of the ordinary hand tools but the use of adhesives, glasspaper, files, rasps and scrapers is not allowed.
- 5 Write your Name and Examination Number boldly and clearly on **each** of the pieces of wood in capital letters and numbers 6 mm high. If you do not complete the test, you must nevertheless return all the wood, with the exception of the waste.
- 6 Assemble your work before handing it to the Supervisor.



A WALL CABINET

CAMBRIDGE INTERNATIONAL EXAMINATIONS
General Certificate of Education Ordinary Level

WOODWORK

6030/02

Paper 2 Practical Test

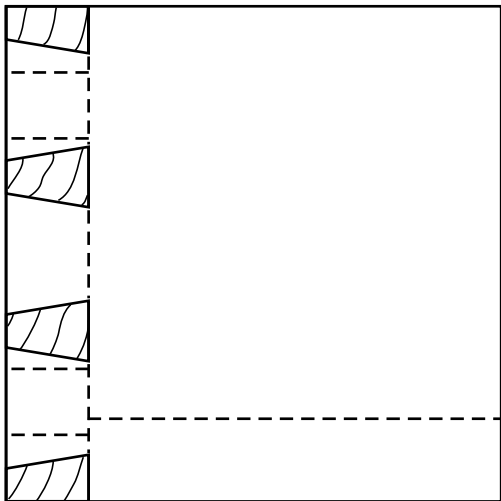
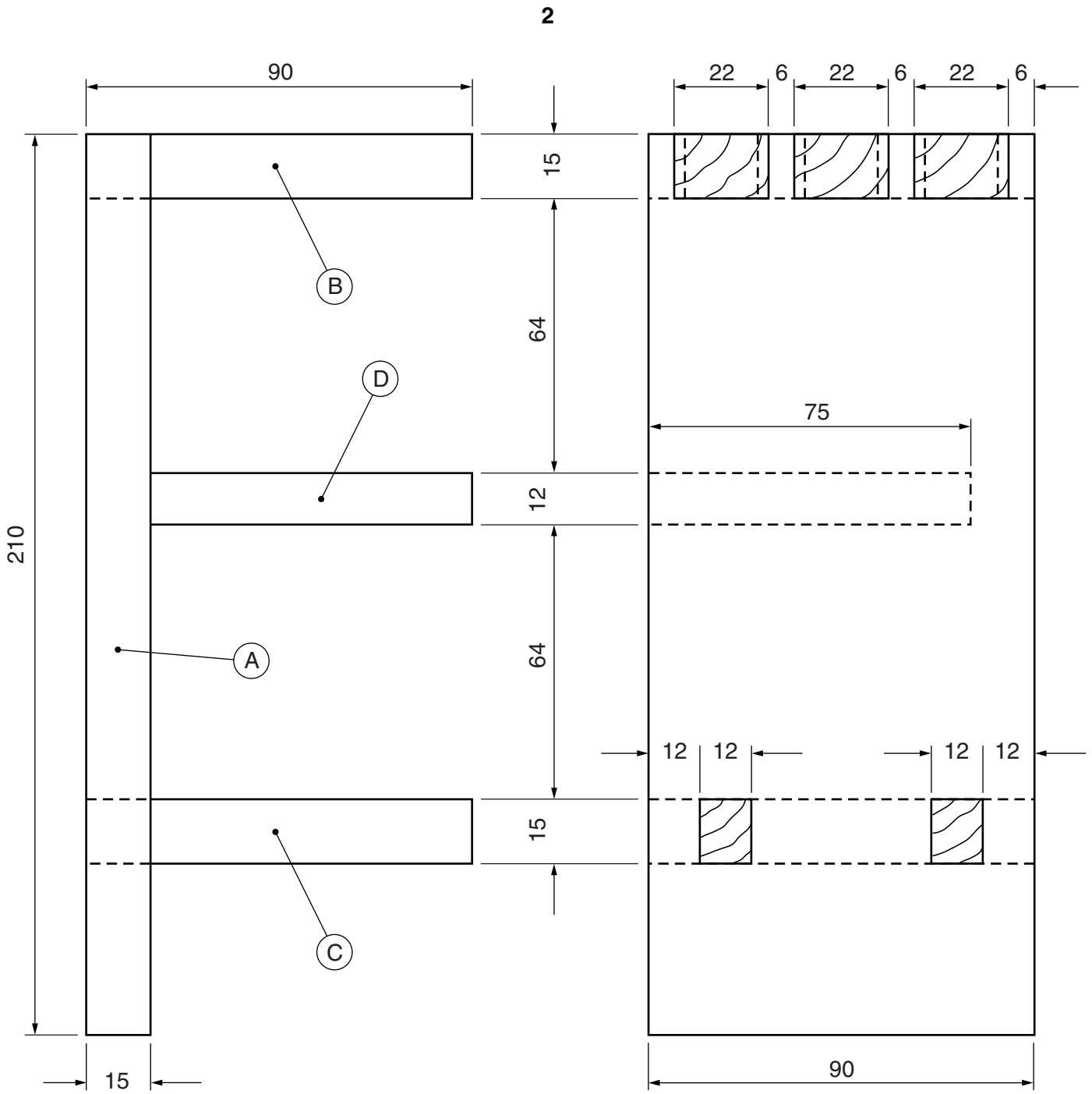
October/November 2003

INSERT

3 hours

This document consists of 2 printed pages.





A WALL CABINET

