

UNIVERSITY OF CAMBRIDGE LOCAL EXAMINATIONS SYNDICATE

**Joint Examination for the School Certificate
and General Certificate of Education Ordinary Level**

WOODWORK

6030/2

PAPER 2 Practical Test

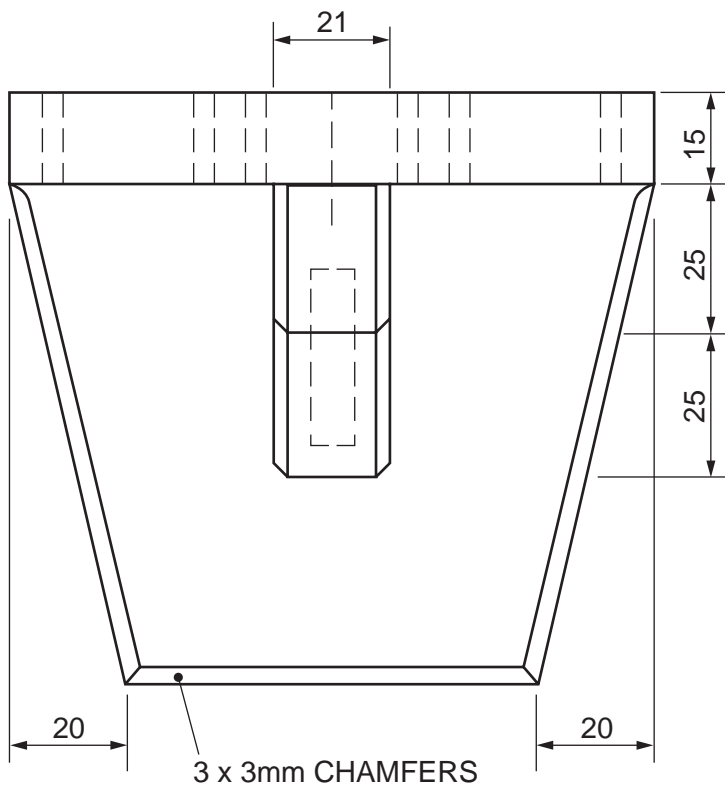
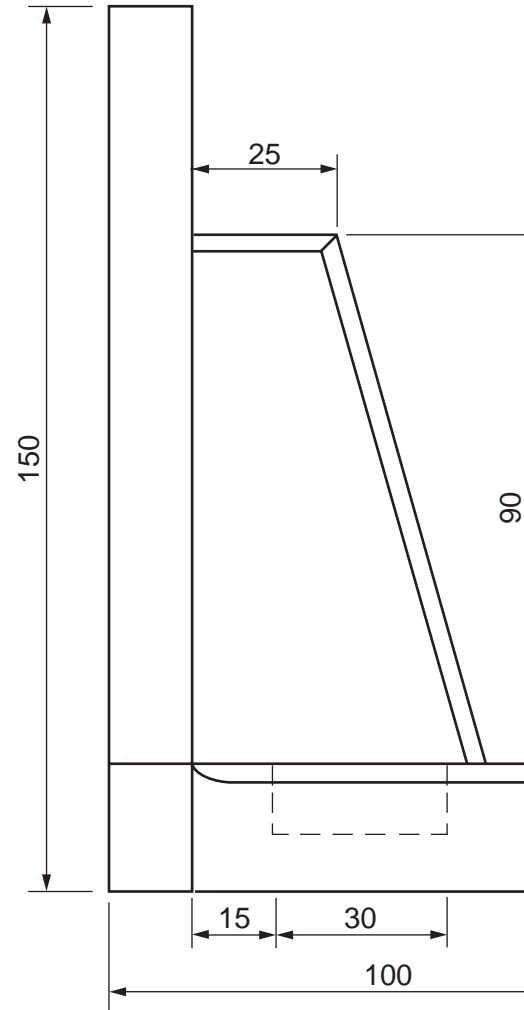
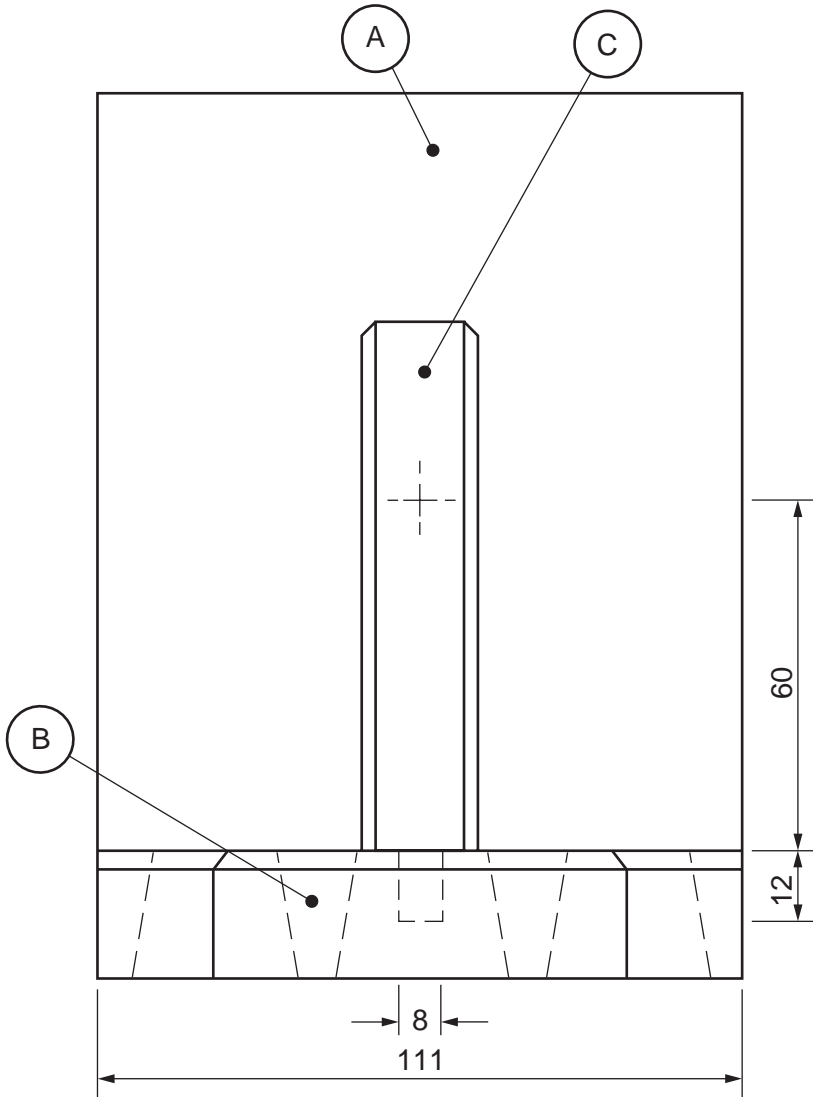
INSERT

OCTOBER/NOVEMBER SESSION 2001

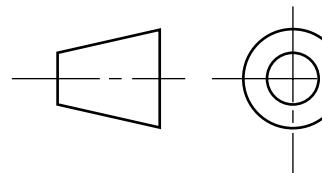
3 hours

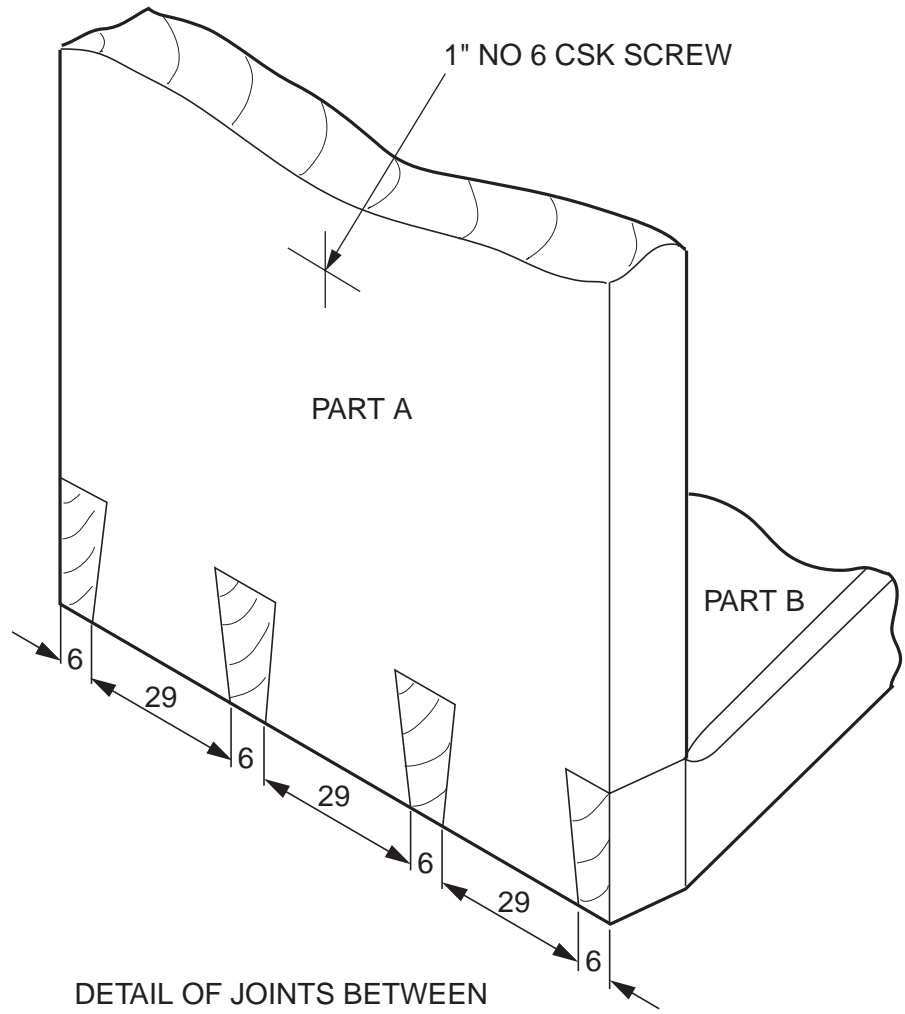
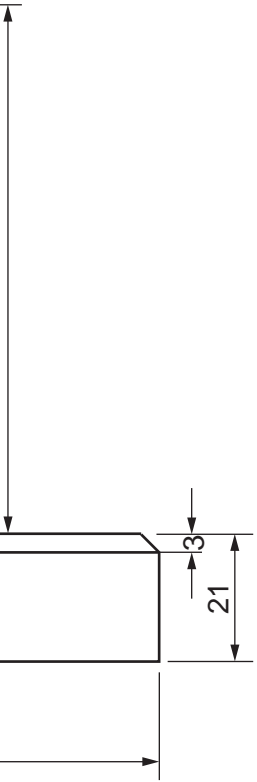
This insert consists of 3 printed pages and 1 blank page.

PART A TO BE SHAPED TO COMPLETE OVERALL DESIGN



A BOOKEND





DETAIL OF JOINTS BETWEEN PART A AND PART B



