

UNIVERSITY OF CAMBRIDGE INTERNATIONAL EXAMINATIONS
General Certificate of Education Ordinary Level

GEOMETRICAL AND MECHANICAL DRAWING

7040/02

Paper 2 Insert

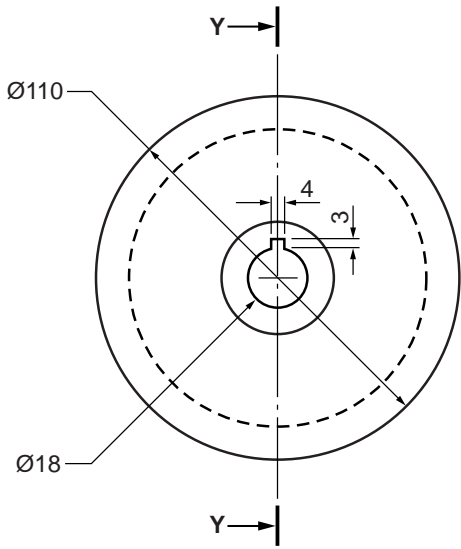
October/November 2004

2 hours 40 minutes

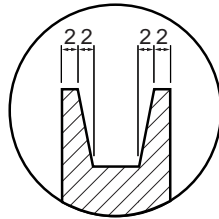
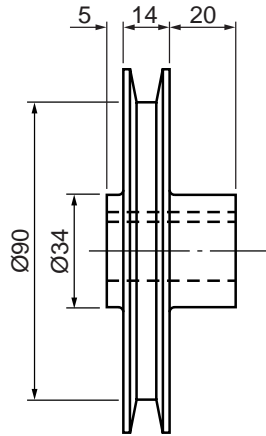
This insert contains Fig. 2 for Section 2.

This insert consists of **3** printed pages and **1** blank page.

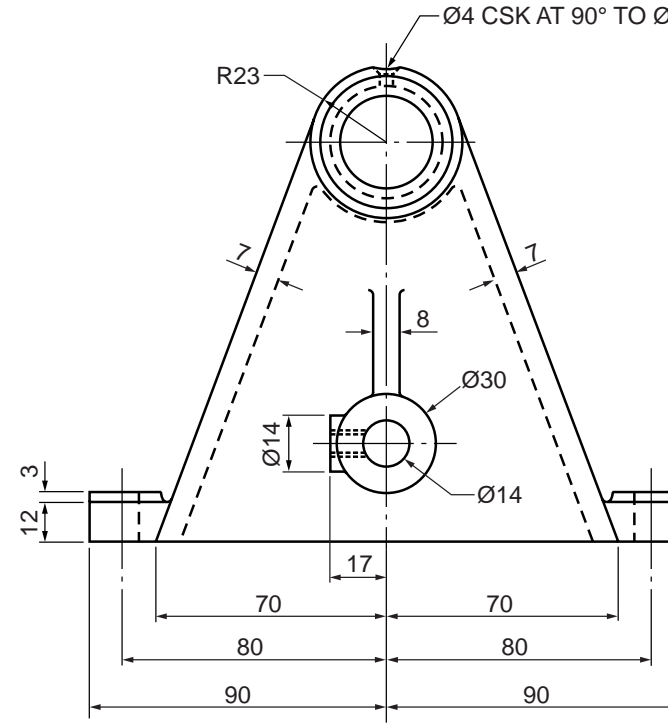




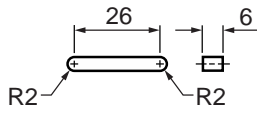
5 VEE PULLEY



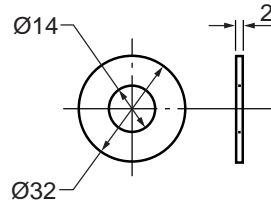
ENLARGED SECTION SHOWING DETAILS OF VEE



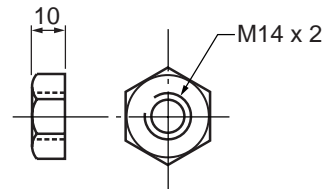
1 BODY



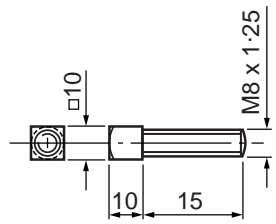
11 FEATHER KEY



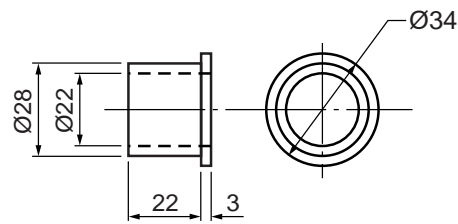
9 WASHER



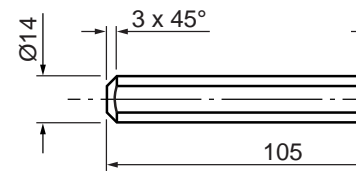
10 M14 NUT



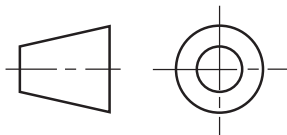
8 SQUARE HEADED BOLT [2 OFF]



3 BUSH [2 OFF]

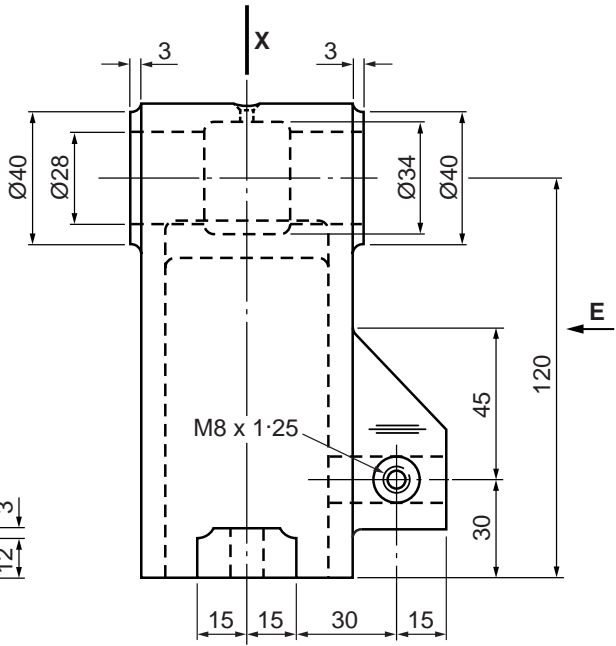


6 SUPPORT

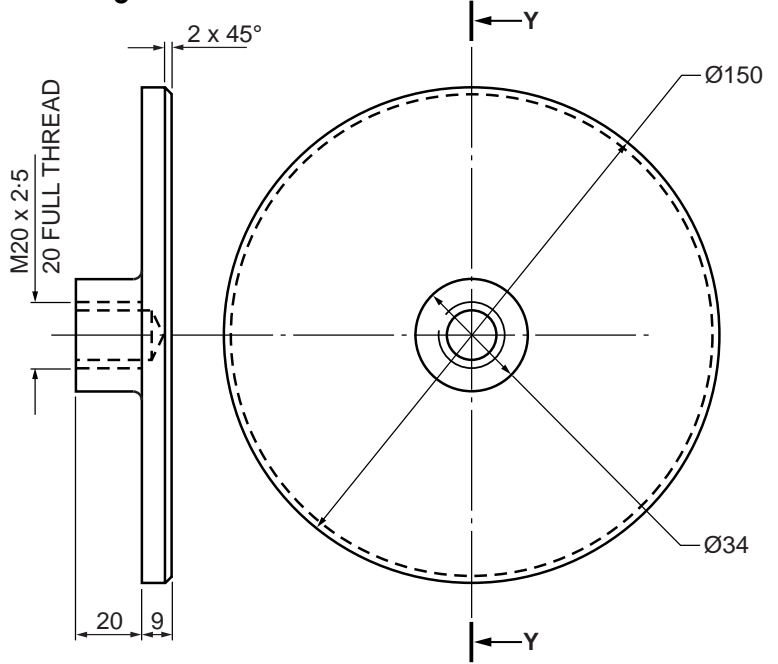


UNSPECIFIED FILLETS AND RADII 3

8

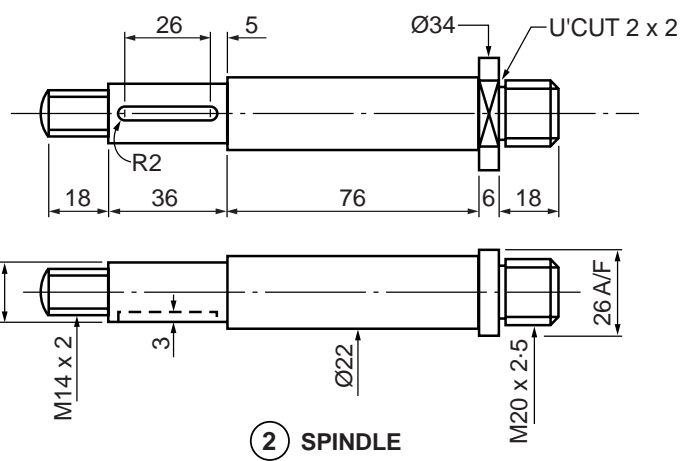
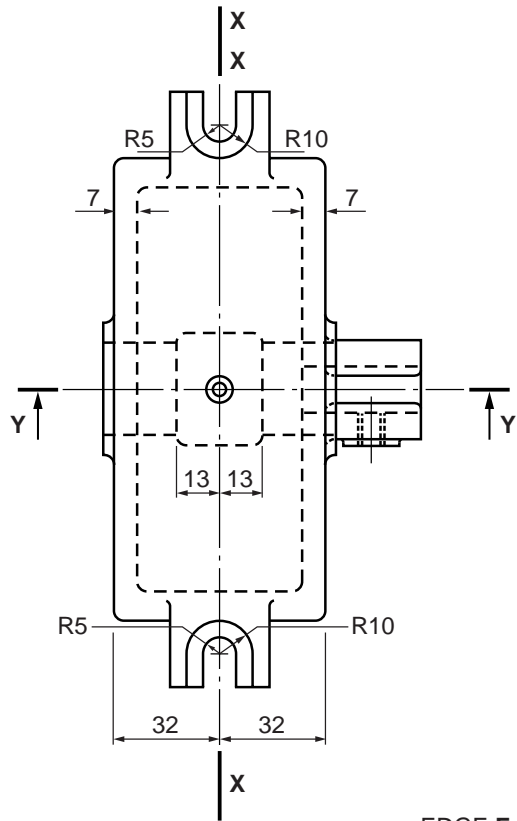


3

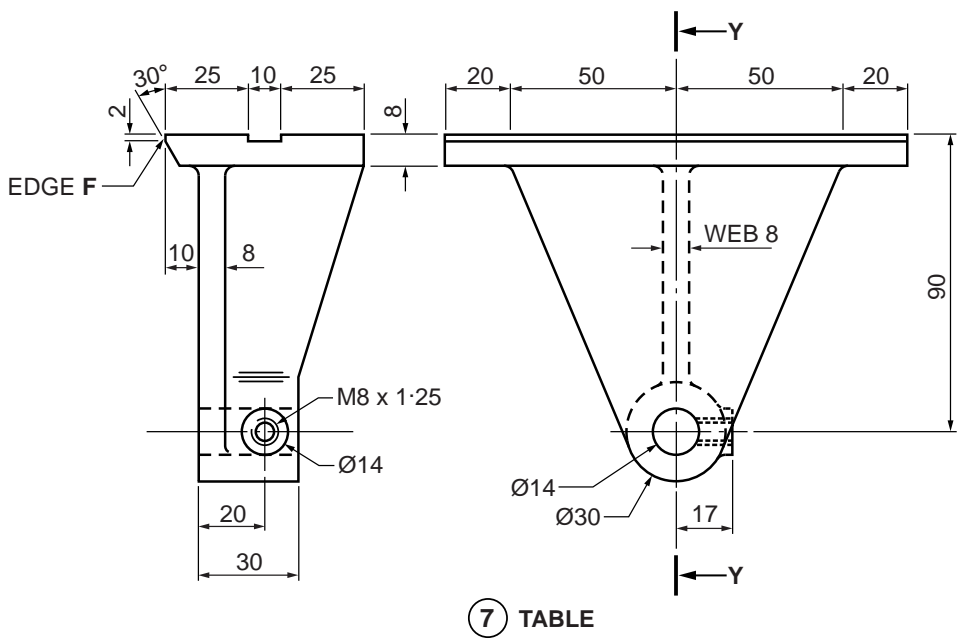
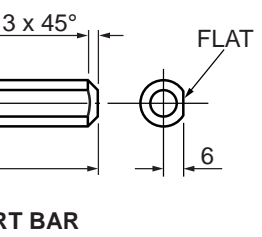


④ FACE PLATE

Y



② SPINDLE



⑦ TABLE

g. 2

