

UNIVERSITY OF CAMBRIDGE INTERNATIONAL EXAMINATIONS  
General Certificate of Education Ordinary Level

**GEOMETRICAL AND MECHANICAL DRAWING**

**7040/02**

Paper 2 Insert

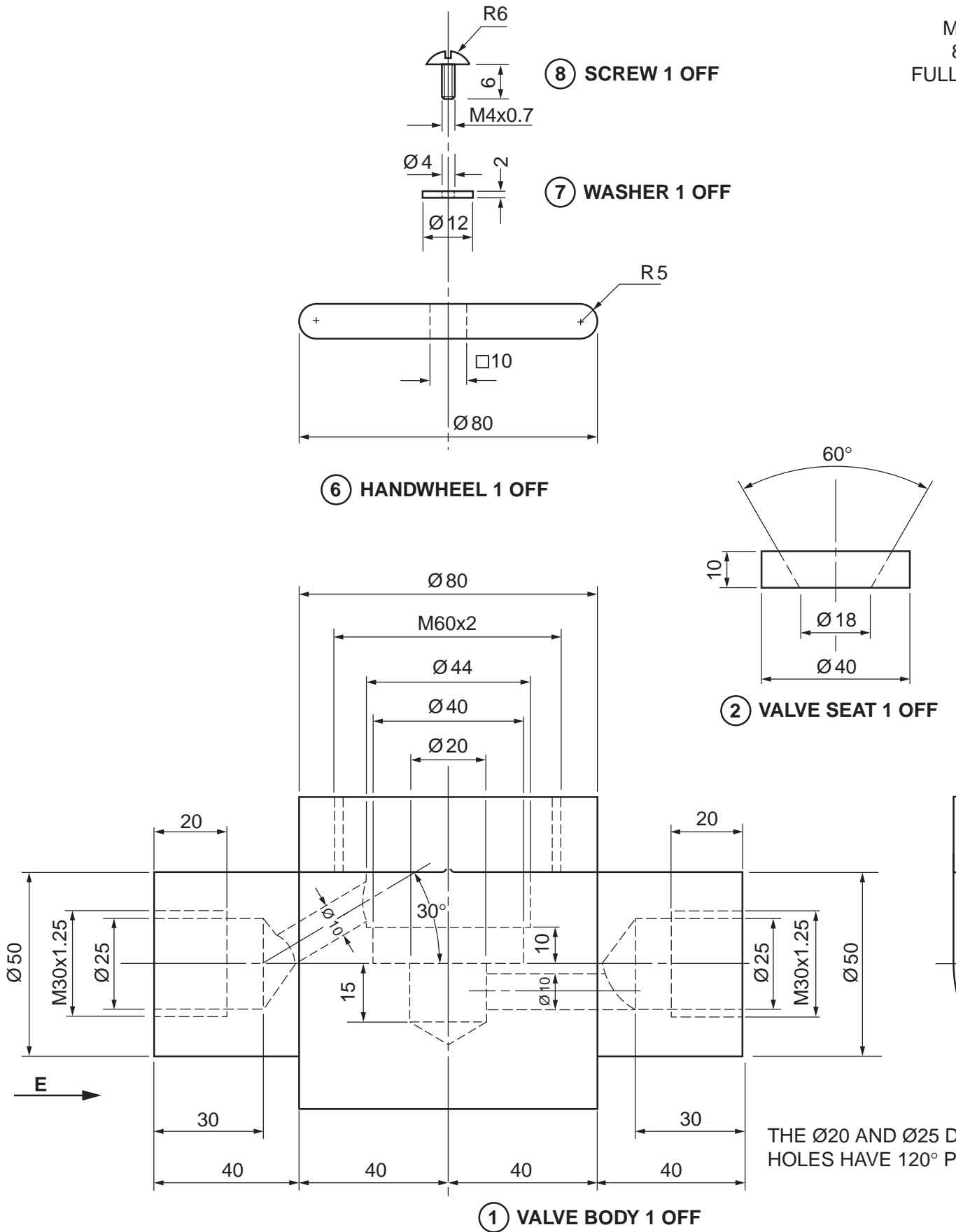
May/June 2004

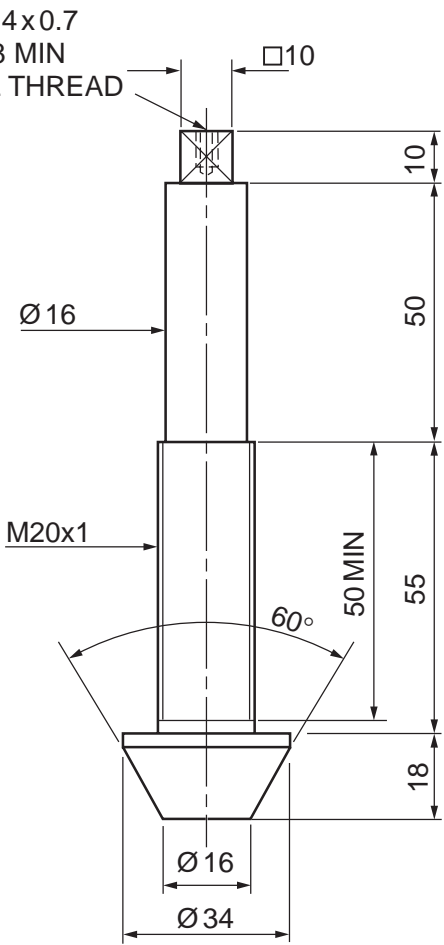
**2 hours 40 minutes**

This insert contains Fig. 2 for Section 2.

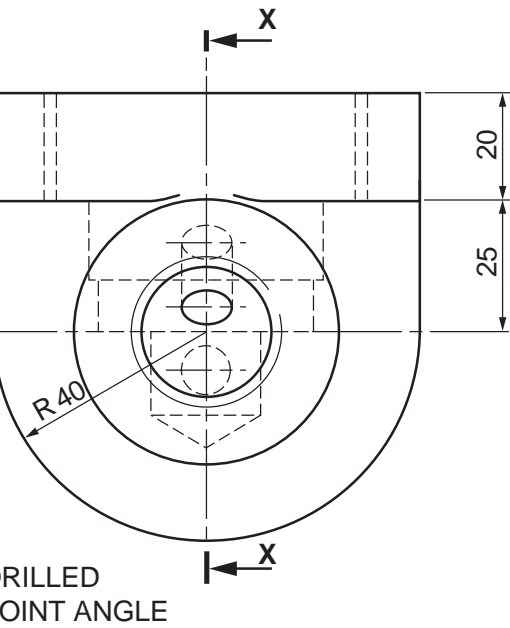
This insert consists of **3** printed pages and **1** blank page.



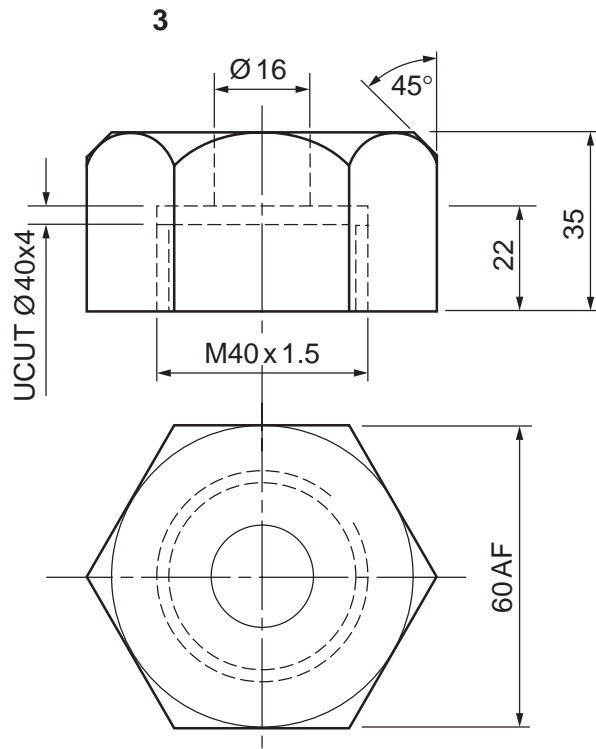




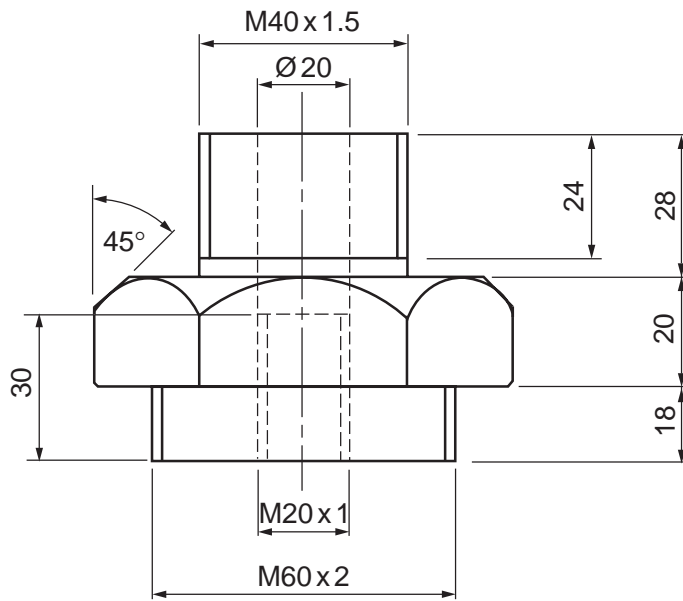
③ VALVE STEM 1 OFF



TOP VALVE DETAIL DRAWING



⑤ GLAND NUT 1 OFF



④ VALVE COVER 1 OFF

