

CAMBRIDGE INTERNATIONAL EXAMINATIONS  
General Certificate of Education Ordinary Level

**GEOMETRICAL AND MECHANICAL DRAWING**

**7040/02**

Paper 2 Insert

May/June 2003

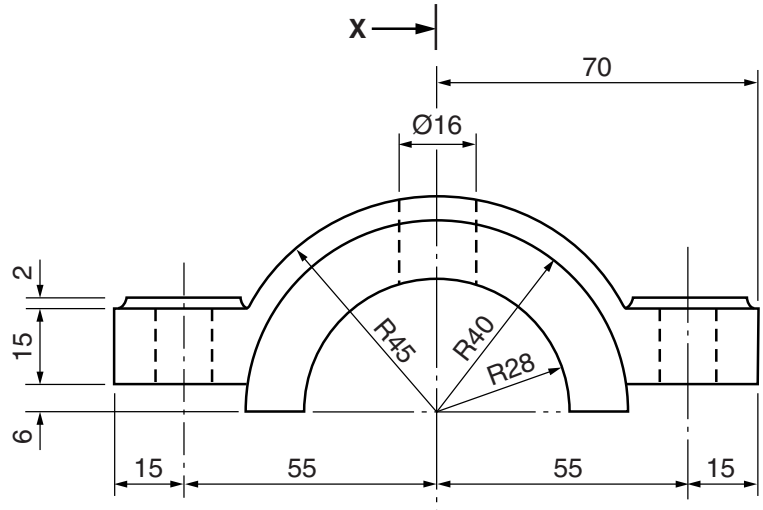
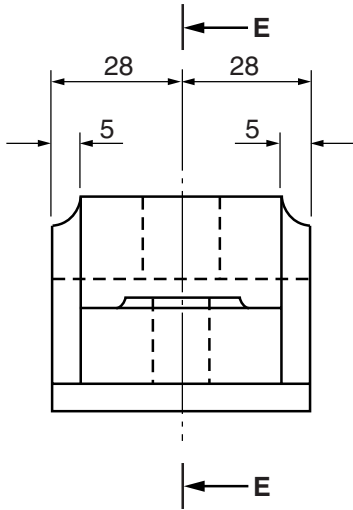
**2 hours 40 minutes**

**READ THESE INSTRUCTIONS FIRST**

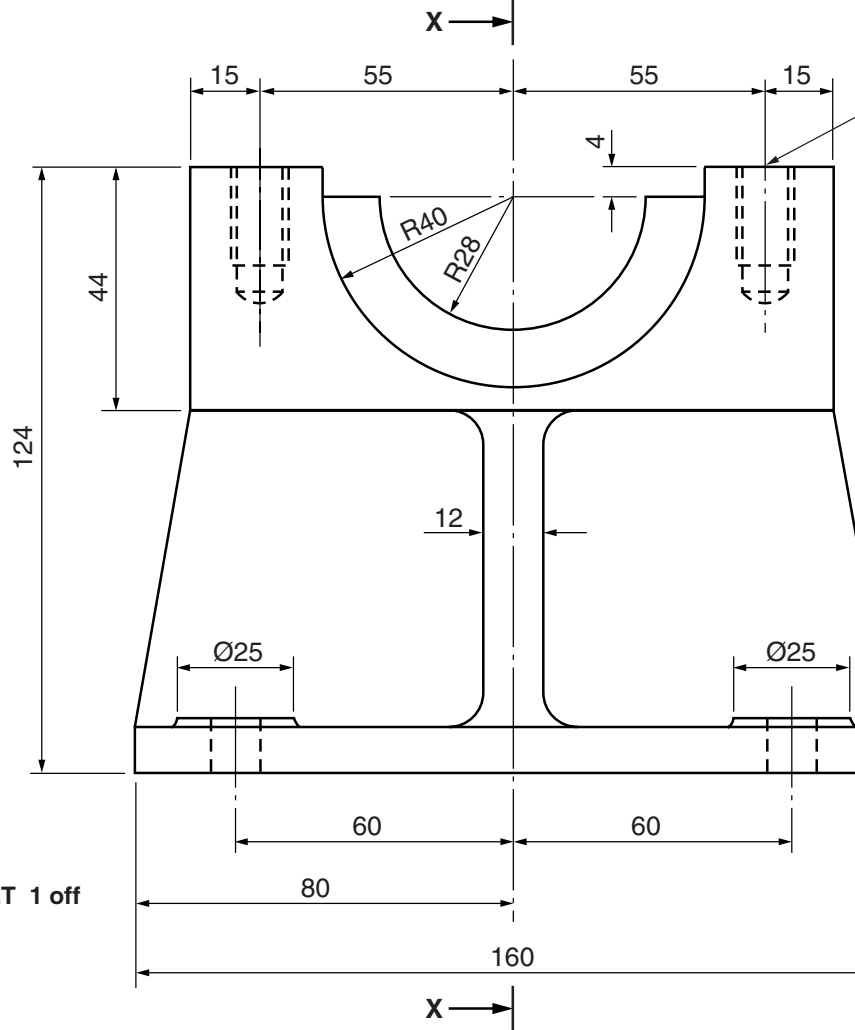
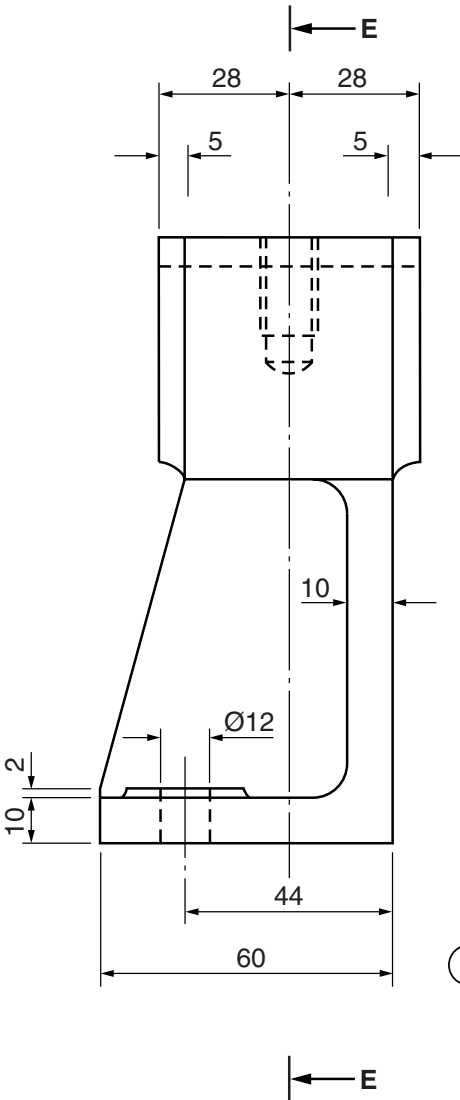
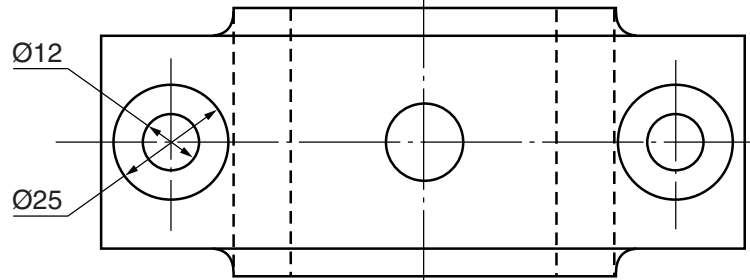
This insert contains Fig. 2 for Section 2.

This insert consists of **3** printed pages and **1** blank page.

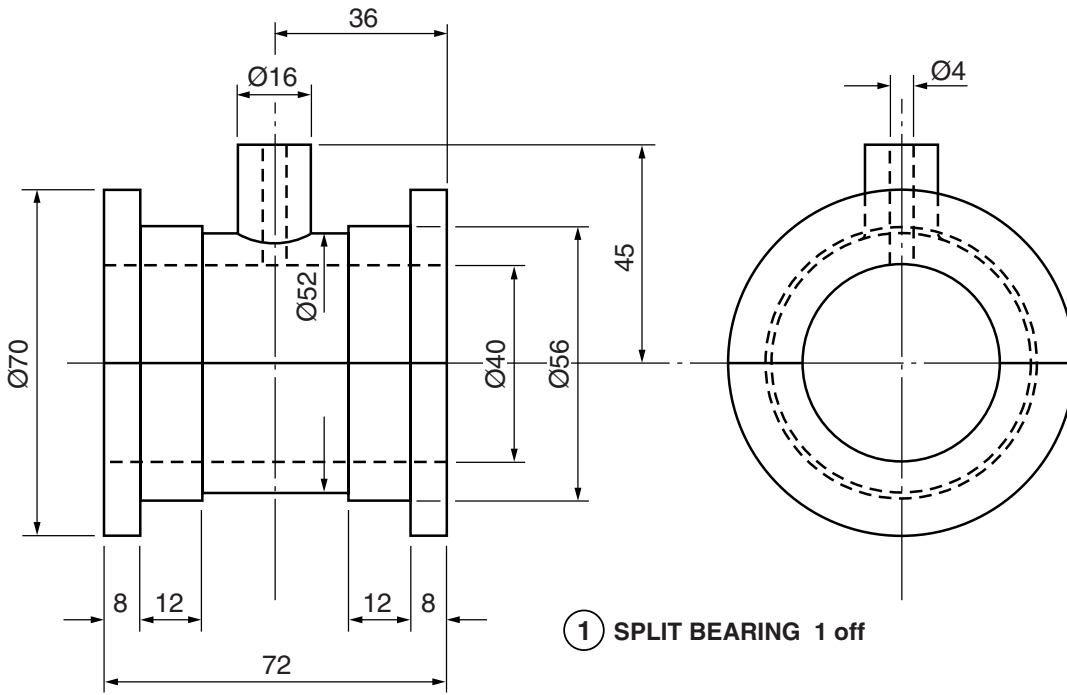




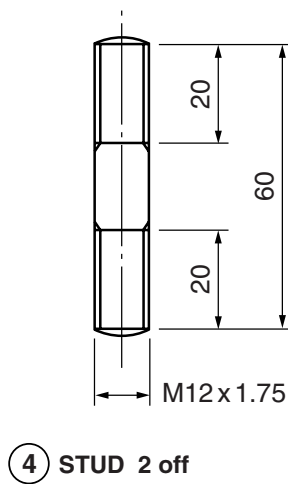
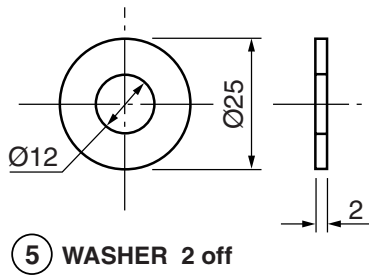
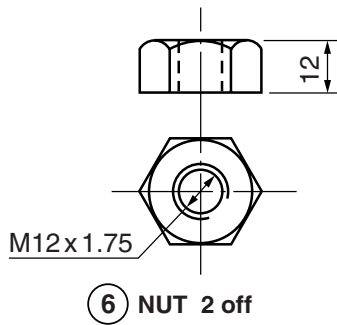
② CAP 1 off



③ BRACKET 1 off



M12x1.75  
20 min. full thread



All fillets radii 5

