

UNIVERSITY OF CAMBRIDGE LOCAL EXAMINATIONS SYNDICATE
Joint Examination for the School Certificate
and General Certificate of Education Ordinary Level

GEOMETRICAL AND MECHANICAL DRAWING 7040/2
PAPER 2

INSERT

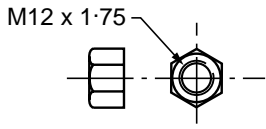
OCTOBER/NOVEMBER SESSION 2001

2 hours 40 minutes

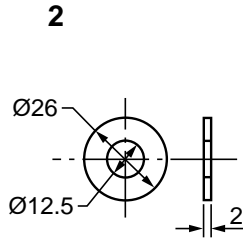
INSTRUCTIONS TO CANDIDATES

This insert contains Fig. 2 for Section 2.

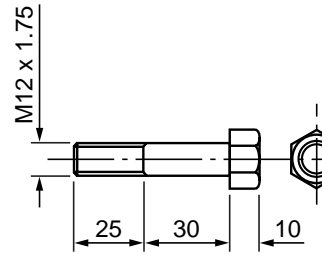
This insert consists of 3 printed pages and 1 blank page.



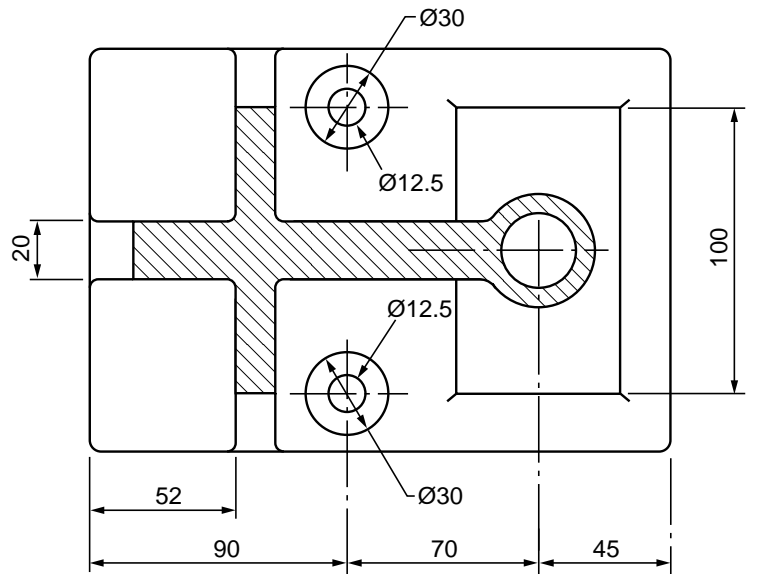
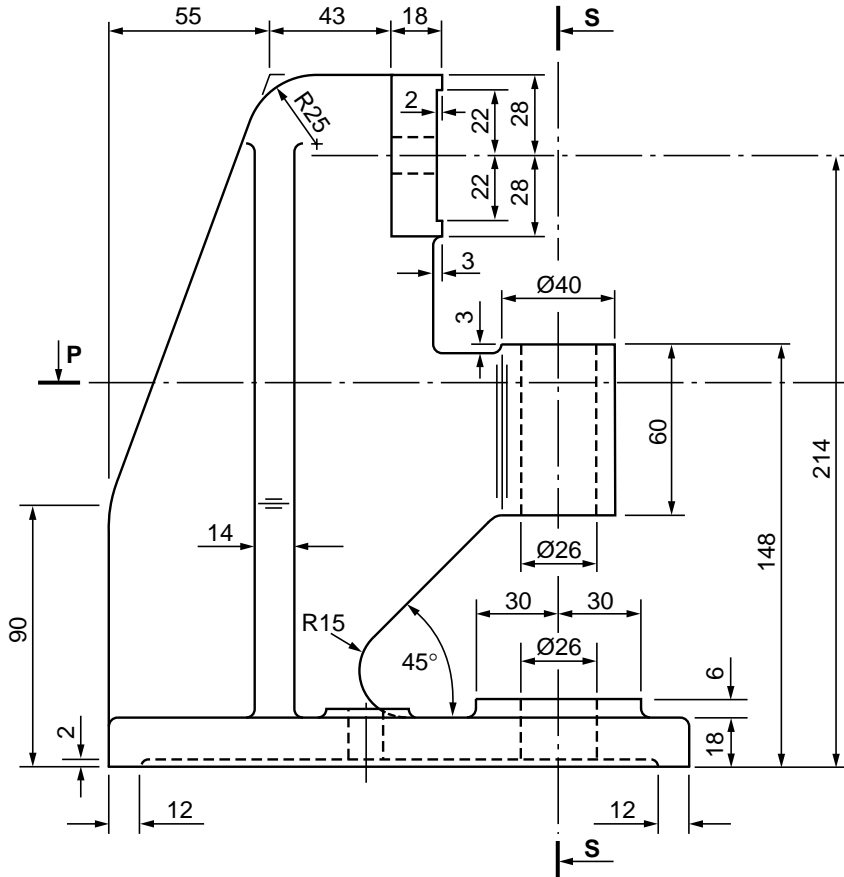
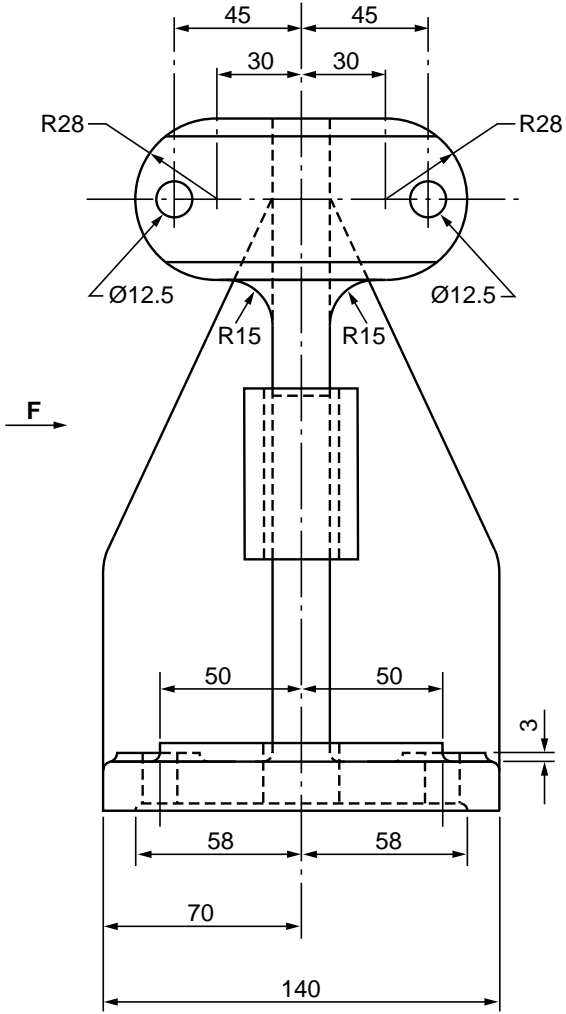
⑨ M12 HEX NUT [2 OFF]



⑧ PLAIN WASHER [2 OFF]

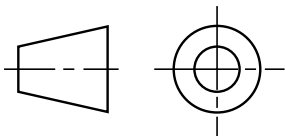


⑦ M12 HEX BOLT [2 OFF]



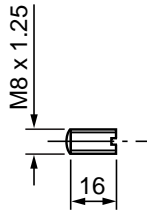
SECTION PP

① BODY

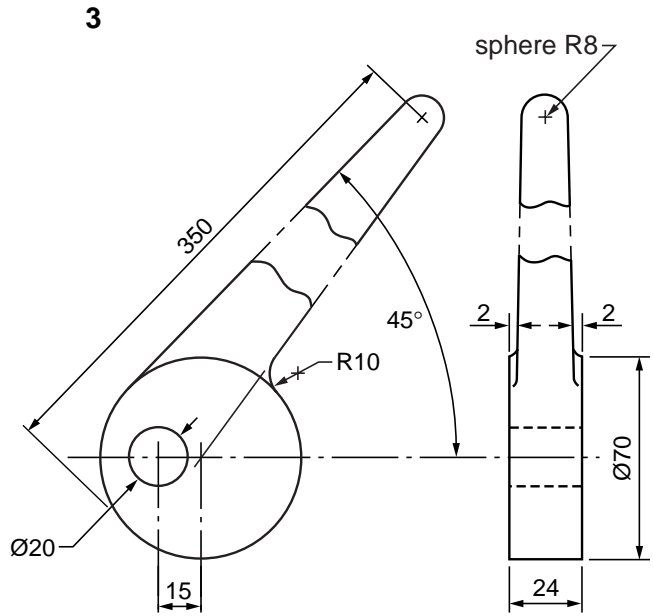


F

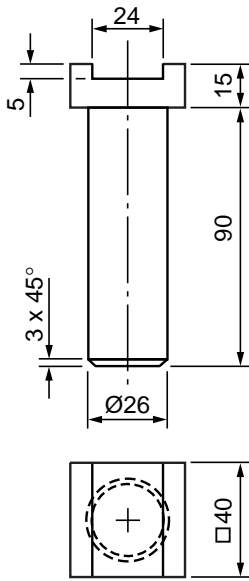
P



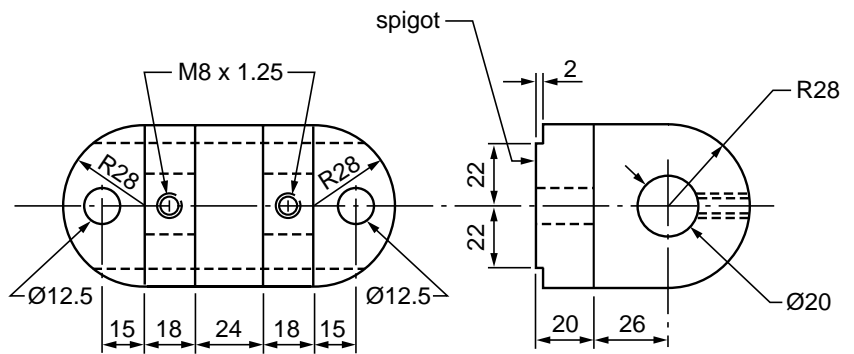
⑩ GRUB SCREW [2 OFF]



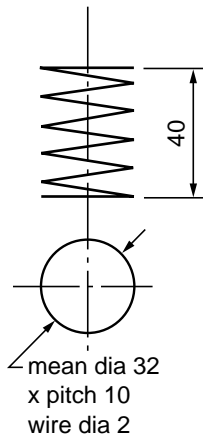
③ CAM LEVER



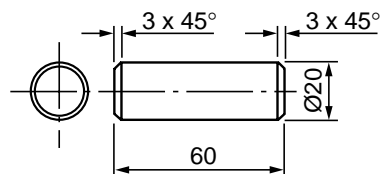
⑤ PUNCH RAM



② SUPPORT BRACKET



⑥ SPRING



④ PIVOT PIN

unspecified fillets and radii 5
all dimensions are in millimetres

