



UNIVERSITY OF CAMBRIDGE INTERNATIONAL EXAMINATIONS
General Certificate of Education Ordinary Level

GEOGRAPHY

2217/23

Paper 2

May/June 2012

INSERT

2 hours 15 minutes

READ THESE INSTRUCTIONS FIRST

This Insert contains Photograph A for Question 3, Fig. 10 for Question 7, and Figs 13 and 14 for Question 8.

The Insert is **not** required by the Examiner.

This document consists of **4** printed pages.



Photograph A for Question 3



Fig. 10 for Question 7

Measuring equipment

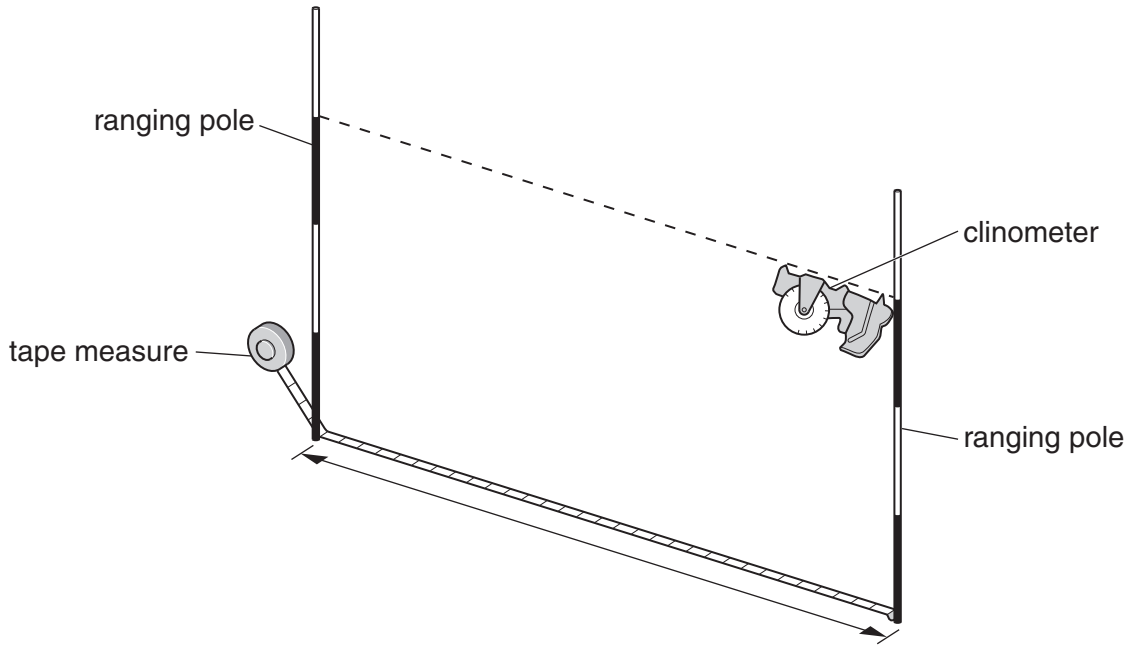


Fig. 13 for Question 8

Textbook model of land use

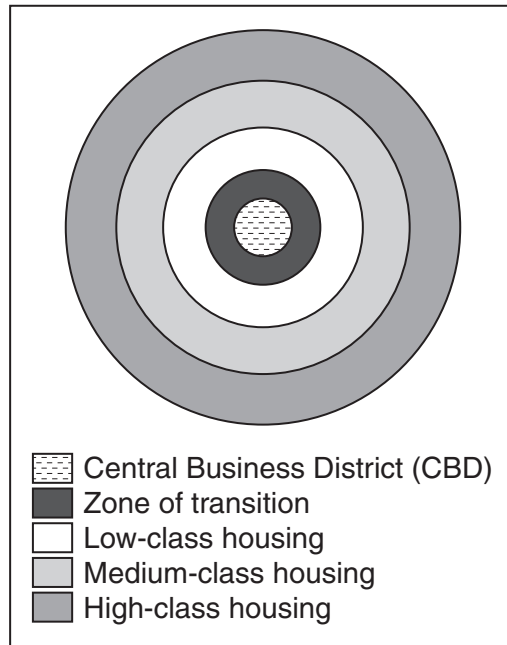
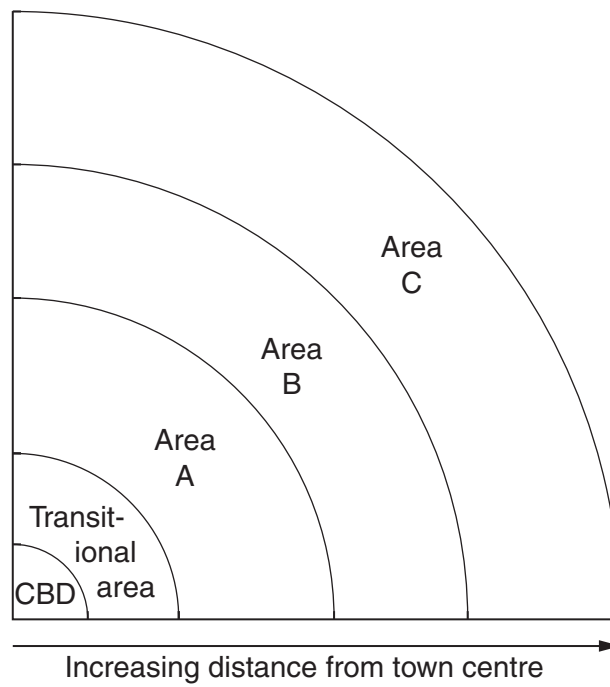


Fig. 14 for Question 8

**Different housing areas
used in the survey****Key**

- Area A: terraced houses built around 1900
- Area B: semi-detached houses built in the 1930s
- Area C: detached houses built since 2000