

UNIVERSITY OF CAMBRIDGE INTERNATIONAL EXAMINATIONS  
General Certificate of Education Ordinary Level

**FASHION AND FABRICS**

**6050/01**

Paper 1 Theory  
INSERT

May/June 2004

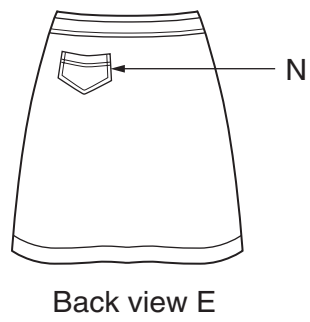
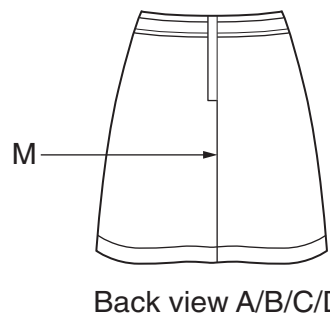
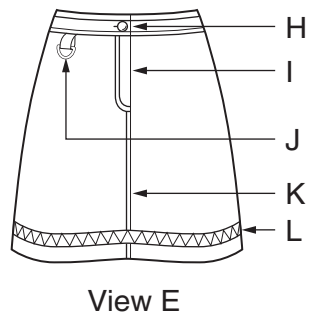
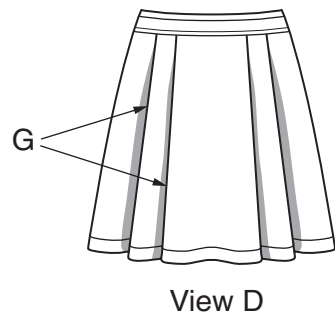
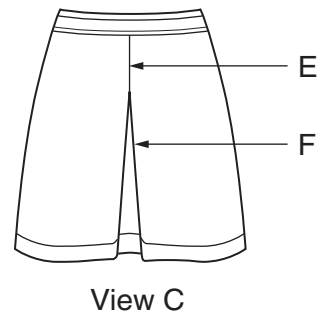
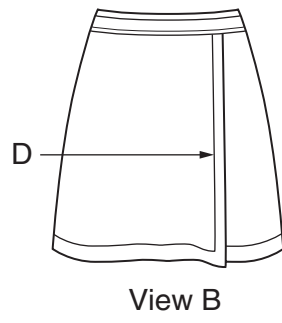
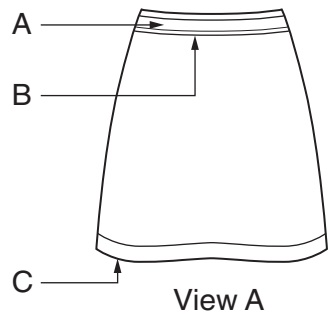
**2 hours**

**READ THESE INSTRUCTIONS FIRST**

This insert is for use with Questions 1, 3 and 7.

This document consists of 4 printed pages.

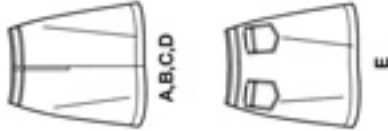




# 9705

## 16 PIECES/PIEZAS

Métrages et instructions de couture en français à l'intérieur de l'emballage.



A, B, C, D

E

### JUNIORS' MINI SKIRTS

Fabrics: Seersucker, Denim, Twill, Poplin, Pique, Chambray, Linen and Linen Blends, Wool and Wool Blends, Batiks. A, E also in Stretch Woven Fabrics, Synthetic Leather, Synthetic Suede, Edra fabric needed to match plaid, stripes or one-way design fabrics. D in sizes 19/20 - 23/24 cannot be made in 44"-45" fabric.

Notions: Thread, one 7" zipper, one pkg. N" wide cotton beil tape. A, B, C, D: hook and eye. E: one N" button, one 1" O-ring (opt.). Look for Simplicity notions and SimplicityFashion Trims™.

### BODY MEASUREMENTS

	30%	32	33%	35	36%	38%	40%	42%	44%	In
Bust		24	25	26	27	28	29% <td>31</td> <td>33% <td>35% </td></td>	31	33% <td>35% </td>	35%
Waist		33% <td>35</td> <td>36% <td>38</td> <td>39% <td>41% <td>43% <td>45% <td>47% </td></td></td></td></td></td>	35	36% <td>38</td> <td>39% <td>41% <td>43% <td>45% <td>47% </td></td></td></td></td>	38	39% <td>41% <td>43% <td>45% <td>47% </td></td></td></td>	41% <td>43% <td>45% <td>47% </td></td></td>	43% <td>45% <td>47% </td></td>	45% <td>47% </td>	47%
Hip-7" below waist		14% <td>15</td> <td>15% <td>15% <td>16% <td>16% <td>16% <td>16% <td>17% </td></td></td></td></td></td></td>	15	15% <td>15% <td>16% <td>16% <td>16% <td>16% <td>17% </td></td></td></td></td></td>	15% <td>16% <td>16% <td>16% <td>16% <td>17% </td></td></td></td></td>	16% <td>16% <td>16% <td>16% <td>17% </td></td></td></td>	16% <td>16% <td>16% <td>17% </td></td></td>	16% <td>16% <td>17% </td></td>	16% <td>17% </td>	17%
Sizes	7/8	9/10	11/12	13/14	15/16	17/18	19/20	21/22	23/24	
A	45***	X	X	1	1%	1%	1%	1%	1%	1%
B	45***	1%	1%	1%	1%	1%	1%	1%	1%	1%
C	45***	1%	1%	1%	1%	1%	1%	1%	1%	1%
D	45***	1%	1%	1%	1%	1%	1%	1%	1%	1%
E	45***	1	1	1%	1%	1%	1%	1%	1%	1%

Trimming (opt.): 1 1/2" yd. of 1" to 1 1/2" wide novelty braid trimming - #790175 suggested

A, B, C, D, E Interfacing: 3/4 yd. of 2 1/2" to 3 1/2" lightweight fusible or non fusible  
 GARMENT MEASUREMENTS (Hip Printed on Pattern Tissue)  
 A, B, C, D, E - Hip 34 35% 37 38% 40 42 44 46 48 In  
 A, B, C, D, E length (worn 1" below waistline)  
 16% 17 17% 18 18% 18% 19 19% 19% \*  
 A, B, C, E width 39 40% 42 43% 45 47 49 51 53 \*  
 D width 40 41% 43 44% 46 48 50 52 54 \*

### MINI JUPPE POUR JEUNE FILLE

Tissus: Seersucker, Denim, Twill, Popeline fine, Piqué, Chambray. Toile de lin et tissus semiblatés, Laine et lainages, Batiks. A, E en tissus tissés extensibles, Cuir et Solefine synthétiques. Privoyez dévantage de tissu pour raccorder les écussons, rayures ou motifs unidirectionnels. D en tailles 19/20 - 23/24 ne convient pas pour les tissus de 115cm de large.  
 Mercerie: Fil, une glissière de 18cm, un paquet de talonnets de 1cm de large. A, B, C, D: agrafe. E: un bouton de 1.5cm, une boucle D de 2.5cm (facult.). Demander la mercerie Simplicity et les garnitures SimplicityFashion Trims™.

### MINI FALDA PARA JOVENES NIÑAS

Telas: Seersucker, Denim, Twill, Popelina fina, Piqué, Chambray. Tela de lino y similares, Lana y Mezzas de lana, Batiks. A, E en telas tejidas extensibles, Cueros y Gamuzas sintéticos. Se necesita tela adicional para césar cuadros, rayas o telas estampadas en una dirección. D en tallas 19/20 - 23/24 no conviene para las telas de 115cm de ancho. Se necesita tela adicional para césar cuadros, rayas o telas estampadas en una dirección.  
 Mercería: Hilo, una cremallera de 18cm, un paquete de galón asagado de 1cm de ancho. A, B, C, D: un botón de 1.5cm, una hebilla en D de 2.5cm (opcional). Pida la mercería de Simplicity y los adornos de SimplicityFashion Trims™.

### MESURES NORMALISEES/MEDIDAS DEL CUERPO

	77.5	81.5	85	89	92.5	98	103	108	113	cm
Poitrine/Torsio	61	63.5	66	68.5	71	75	78.5	85	90	*
Taille/Cintura	85	89	92.5	96.5	100.5	106	111	116	121	*
Bos (encolure à taille/Vespaldas (escote a cintura))	37	38	39	40	41	42	42.5	43	43.5	*
Tailles/Tallas	7/8	9/10	11/12	13/14	15/16	17/18	19/20	21/22	23/24	
A	115cm**	0.80	0.80	0.90	0.90	1.00	1.10	1.10	1.10	1.10 m *
B	115cm**	0.80	0.80	0.90	0.90	1.00	1.10	1.10	1.10	1.20 m *
C	115cm**	0.80	0.80	0.90	0.90	1.00	1.10	1.10	1.10	1.20 m *
D	115cm**	0.80	0.80	0.90	0.90	1.00	1.10	1.10	1.10	1.20 m *
E	115cm**	0.90	0.90	0.90	1.00	1.00	1.00	1.00	1.00	1.40 m *

Garnitures (facult.) 1.60m de soutache fantaisie de 2.5cm à 3.8cm de large - #790175 suggéré/Adornos (opcionaal) 1.60m de galón asagado de 2.5cm a 3.8cm de ancho - #790175 sugerido  
 A, B, C, D, E entoilage 0.40m de 50cm à 90cm léger, thermocollant ou non/A, B, C, D, E entretoiles 0.40m de 60cm à 90cm léger, adhesives o no.

\*without top \*\*with top \*\*\*with or without top

1-866-588-2700 <http://www.simplicity.com> [www.simplicity.com](http://www.simplicity.com)

SIMPLICITY  
**9705** SIZE AA



SIMPLICITY PATTERN CO. INC. 1 PARK AVENUE, NEW YORK, NY 10016, USA  
 SIMPLICITY PATTERN CO. LTD. 100 WILMINGTON AVENUE, UNIT 101, SCARBOROUGH, ONTARIO M1H 4G1, CANADA  
 SIMPLICITY LIMITED, BLAIRHIE INDUSTRIAL ESTATE, BLAIRHIE STY, DD1 1JL, SCOTLAND  
 SIMPLICITY PATTERNS PTY. LTD., 20 HOLEY STREET, NORTH SYDNEY, NSW 1585, AUSTRALIA  
 IMPORTS AND DISTRIBUTORS FOR: SIMPLICITY S.A. IN S.P.A. - PREFERENZE SUR NO. 107 TORO, 10 STE. 020, BOGOTA-PARELLA WENDE S.P. 1100  
 S.A. S.M. - MONTE JULI TOL., 1 PASEO SAN JOSE  
 EXPORTS FOR: SIMPLICITY PATTERN CO. INC. 801 WATSE STREET, WILSON, NJ 07097, U.S.A.  
 PACCSON BRANCO LARNA, INDIEN  
 AGUNDA, LAROUS, TEXAS P-040 DE ORIZON, ESTADOS UNIDOS DE AMERICA  
 GOSPODAR, PATRICA DE COSTURA - CONTINENTAL, 1 PIEDA  
 © 2001 BY SIMPLICITY PATTERN CO. INC. PRINTED IN USA. SIMPLICITY IS A REGISTERED TRADEMARK.

**\$11.95**  
USA  
price L code  
code L pour prix



**9705**  
SIZE AA 7/8-15/16



**Simplicity**<sup>®</sup>

**grooves**  
by Simplicity

**NEW JUNIOR SIZING!**  
7/8 - 23/24

INCLUDES EXTENDED SIZES!



Simplicity fashion Trims<sup>™</sup>