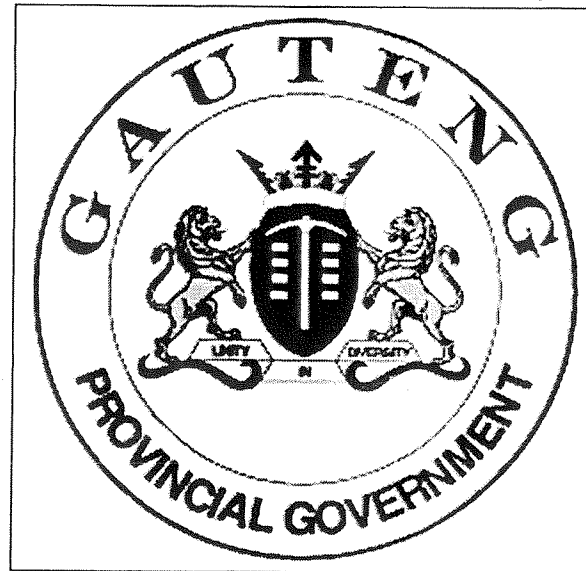


GAUTENG DEPARTMENT OF EDUCATION

GAUTENGSE DEPARTEMENT VAN ONDERWYS



TECHNICAL DRAWING : HIGHER GRADE

TEGNIËSE TEKENE : HOËR GRAAD

SENIOR CERTIFICATE EXAMINATION

SENIORSERTIFIKAAT-EKSAMEN

711 - 1 / 2 Z

QUESTION 1.1

ANSWER THIS QUESTION ON ANSWER SHEET 1.

Figure 1.1 shows the front and top views of a block with a tapped hole in it.

Complete the sectioned front view by drawing in a M30-tapped hole if the hole depth is 50 mm.

6

TOTAL 6

VRAAG 1.1

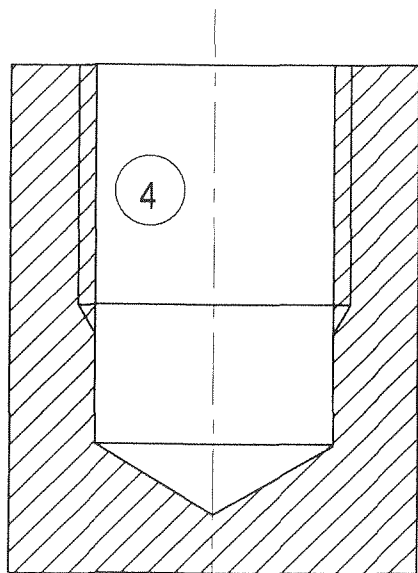
BEANTWOORD HIERDIE VRAAG OP ANTWOORDVEL 1.

Figuur 1.1 toon die voor- en boaansigte van 'n blok met 'n tapgat daarin.

Voltooi die deursnee-vooraansig deur 'n M30 tapgat in te teken as die gat 50 mm diep is.

6

TOTAAL 6



SECTIONING = 2
ARSERING = 2

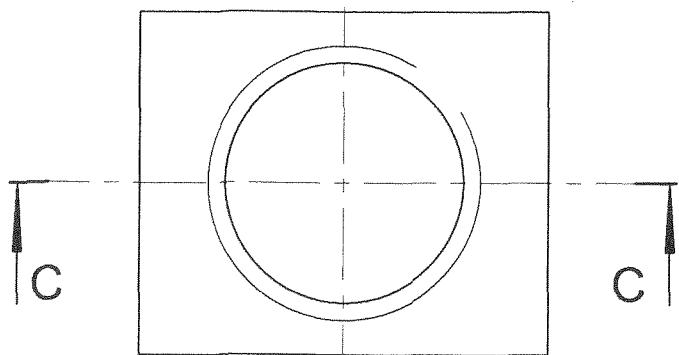
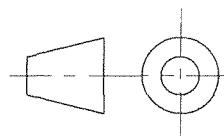


FIGURE 1.1 / FIGUUR 1.1



QUESTION 1.2

ANSWER THIS QUESTION ON ANSWER SHEET 1.

Figure 1.2 shows the front and top views of a casting.

Determine freehand the right view of the casting. Show hidden detail.

8

TOTAL 8

VRAAG 1.2

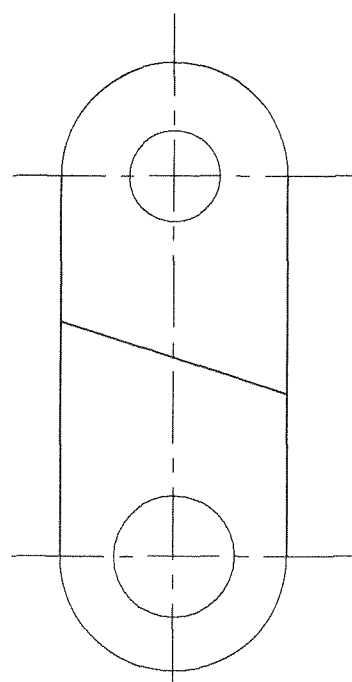
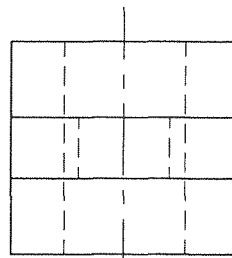
BEANTWOORD HIERDIE VRAAG OP ANTWOORDVEL 1.

Figuur 1.2 toon die voor- en boaansigte van 'n gietstuk.

Bepaal vryhand die regteraansig van die gietstuk. Toon verborge detail.

8

TOTAAL 8



PRESENTATION = 1
AANBIEDING = 1

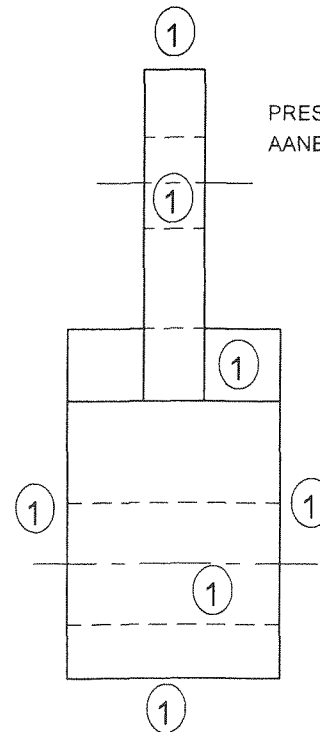
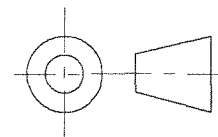


FIGURE 1.2 / FIGUUR 1.2



TECHNICAL DRAWING 711-1/2 Z HIGHER GRADE

TEGNIÛSE TEKENE 711-1/2 Z HOÛER GRAAD

QUESTION 1.3

ANSWER THIS QUESTION ON ANSWER SHEET 1.

Figure 1.3 shows the front and top views of a casting.

Project the auxiliary sectioned view on cutting plane F-F.

11

TOTAL 11

QUESTION 1.3

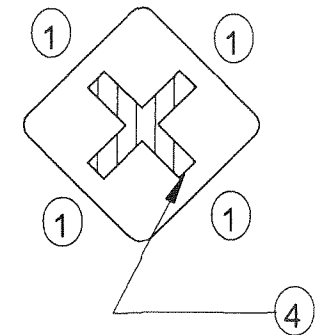
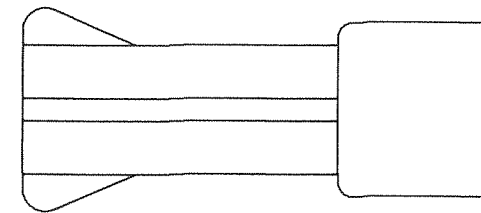
BEANTWOORD HIERDIE VRAAG OP ANTWOORDVEL 1.

Figuur 1.3 toon die voor- en boaansigte van 'n gietstuk.

Projekteer die deursnee-hulpaansig op snyvlak F-F.

11

TOTAAL 11



SECTIONING = 2
ARSERING = 2
PRESENTATION = 1
AANBIEDING = 1

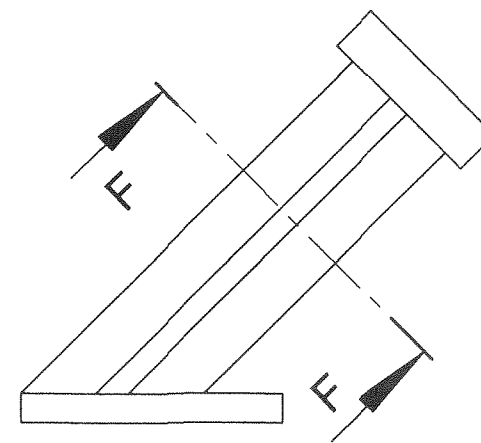
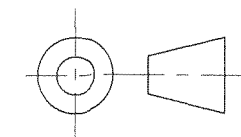


FIGURE 1.3 / FIGUUR 1.3



EXAMINATION NUMBER / EKSAMENNOMMER

A/B									
-----	--	--	--	--	--	--	--	--	--

QUESTION 1 / VRAAG 1

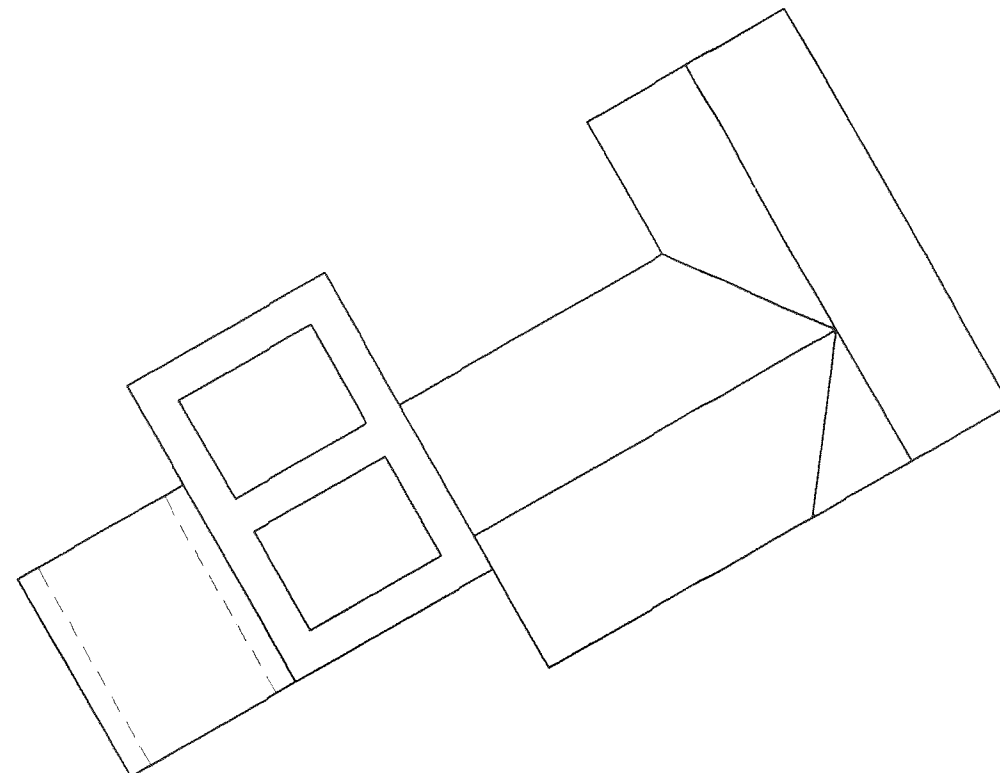
ANSWER SHEET 1

ANTWOORDVEL 1

QUESTION 1 / VRAAG 1

QUESTION 1.1 / VRAAG 1.1	6		
QUESTION 1.2 / VRAAG 1.2	8		
QUESTION 1.3 / VRAAG 1.3	11		
TOTAL / TOTAAL	25		

PP = PICTURE PLANE PV = PRENTVLAK
 HL = HORIZON LINE HL = HORISONLYN
 GL = GROUND LINE GL = GRONDLYN
 SP = STATION POINT SP = STAANPUNT



QUESTION 2

By making use of the given diagram on answer sheet 2, draw a two-point perspective drawing of the storage building.

Do not show hidden detail.

Presentation

	37		
	3		
TOTAL	40		

QUESTION 2

Deur gebruik te maak van die gegewe diagram op antwoordvel 2 teken 'n tweepuntperspektief-tekening van 'n pakhuis.

Moet nie verborge detail toon nie.

Aanbieding

	37		
	3		
TOTAAL	40		

PP / PV

HL

GL

2 LVP

2 RVP

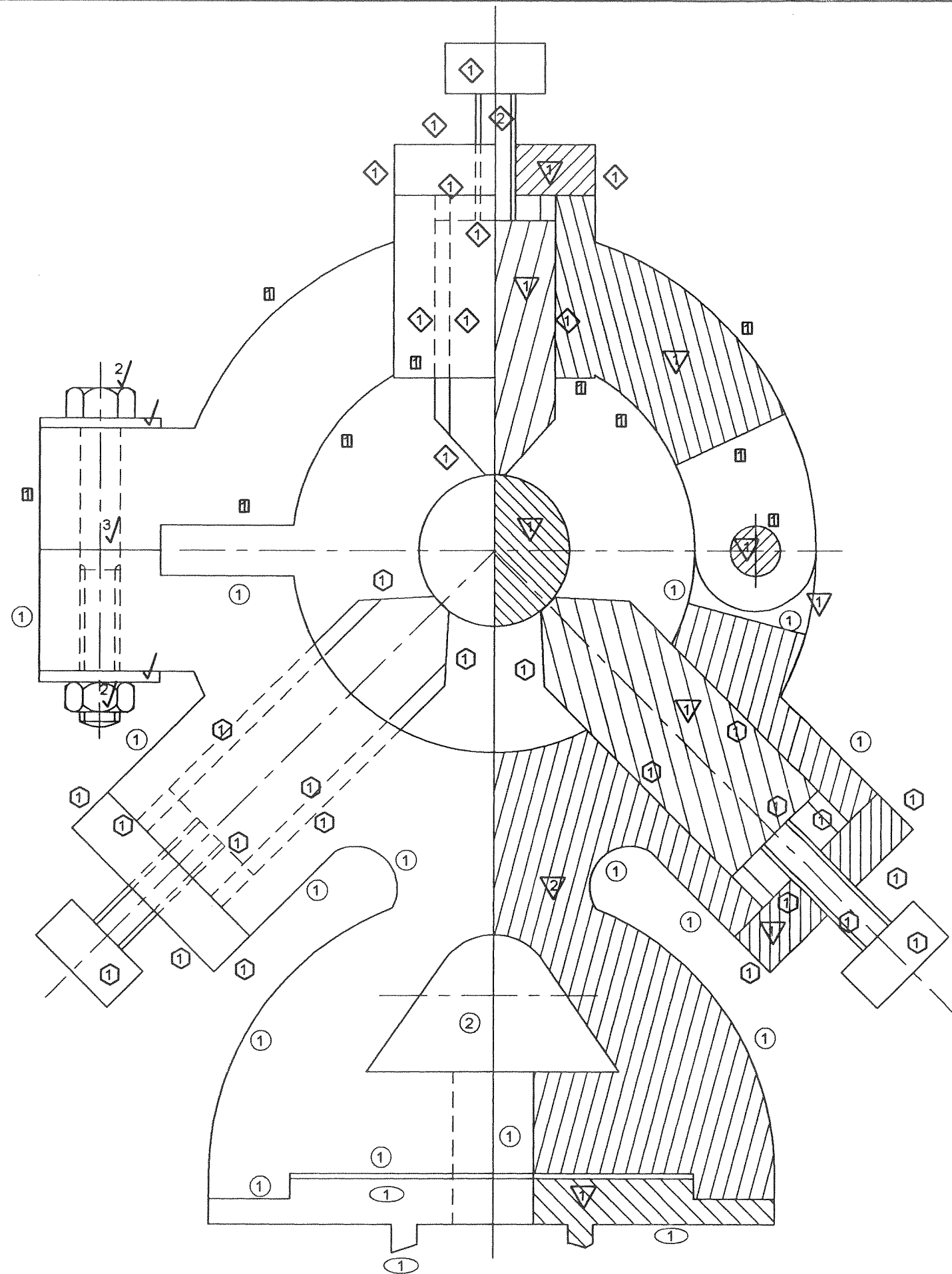
SP

EXAMINATION NUMBER / EKSAMENNUMMER

A											
B											

QUESTION 2 / VRAAG 2

ANSWER SHEET 2
ANTWOORDVEL 2



TECHNICAL DRAWING 711-1/2 Z HG

TEGNIJSE TEKENE 711-1/2 Z HG

MARK ALLOCATION / PUNTETOEKENING

SUPPORT / STUT	○	17		
SECTIONING / ARSERING	▽	4		
COVER / DEKSEL	□	10		
SECTIONING / ARSERING	▽	2		
GUIDEPIN E / LEIPEN E	◇	11		
SECTIONING / ARSERING	▽	2		
GUIDEPIN D (1) / LEIPEN D (1)	⬡	11		
SECTIONING / ARSERING	▽	2		
GUIDEPIN D (2) / LEIPEN D (2)	⬡	11		
BOLT & NUT / BOUT & MOER	✓	8		
SLIDE / GLYSTUK	◌	3		
SECTIONING / ARSERING	▽	1		
SECTIONING SHAFT / ARSERING-AS	▽	1		
SUBTOTAL / SUB TOTAAL		83		
DIMENSIONS / AFMETINGS		3		
TITLE & SCALE / TITEL & SKAAL		1		
PRESENTATION / AANBIEDING		4		
ASSEMBLY / SAMESTELLING		4		
SUBTOTAL / SUB TOTAAL		12		
TOTAL / TOTAAL		95		

EXAMINATION NUMBER / EKSAMENNUMMER

QUESTION 4 / VRAAG 4

ANSWER SHEET 4

ANTWOORDVEL 4