

FIG.11

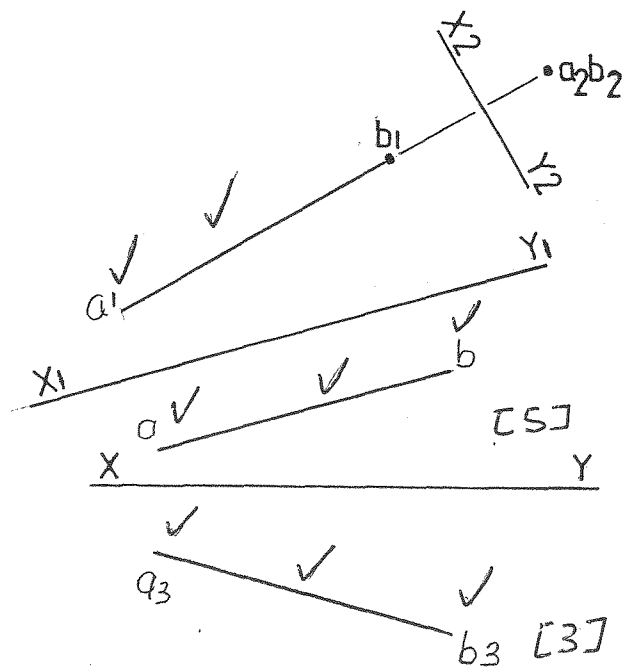


FIG.12

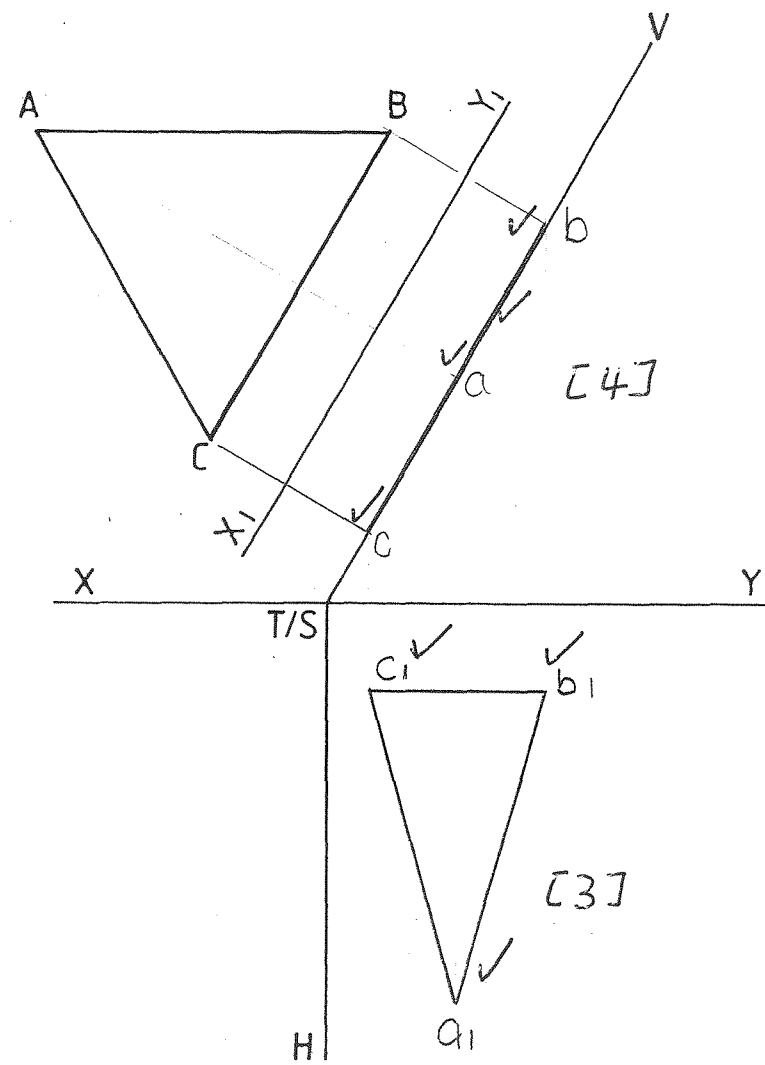


FIG.13

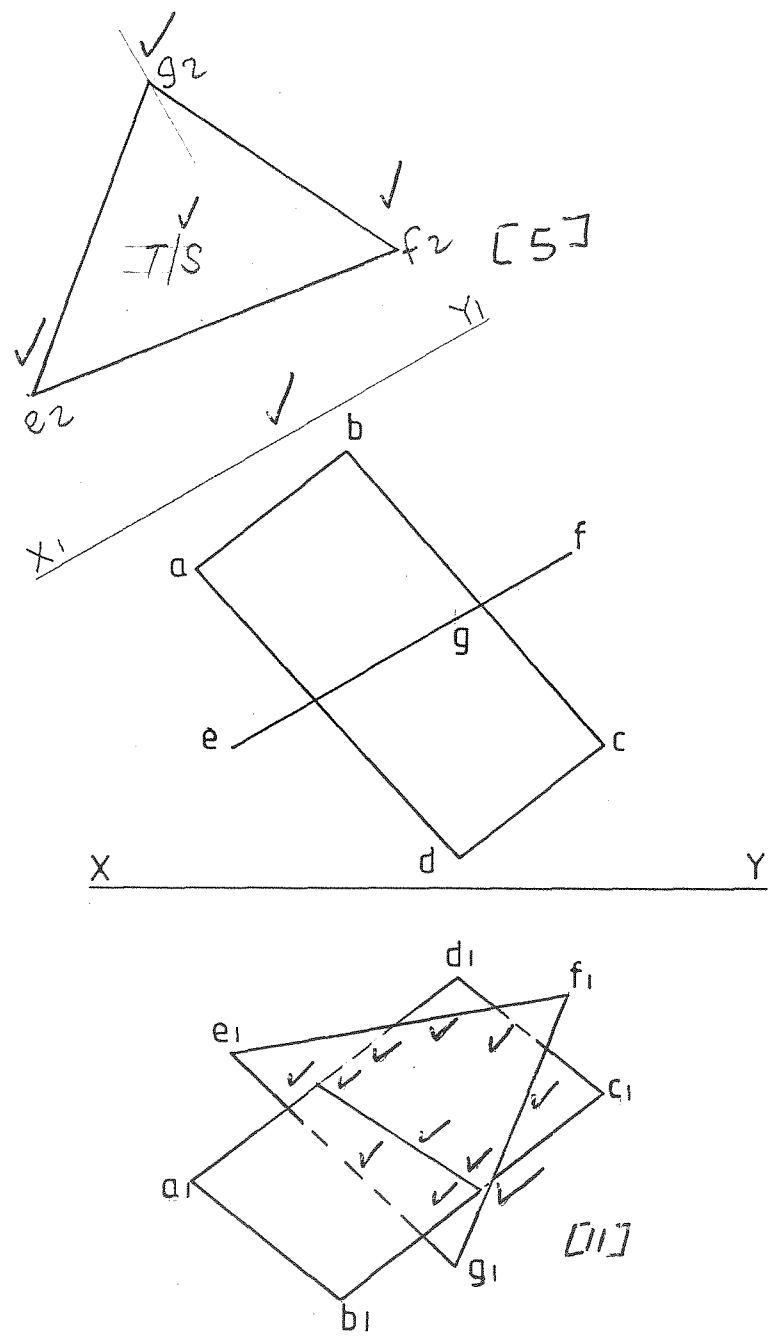


FIG. 2.1

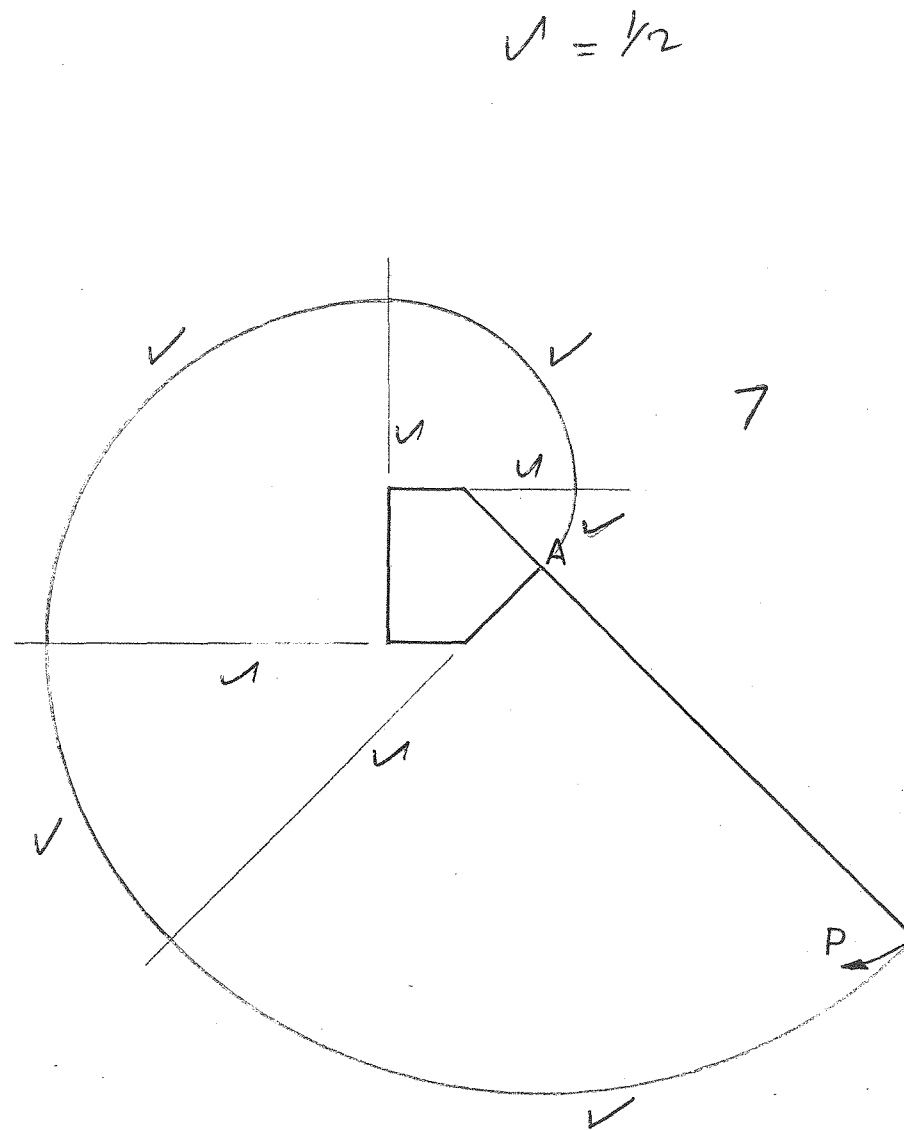
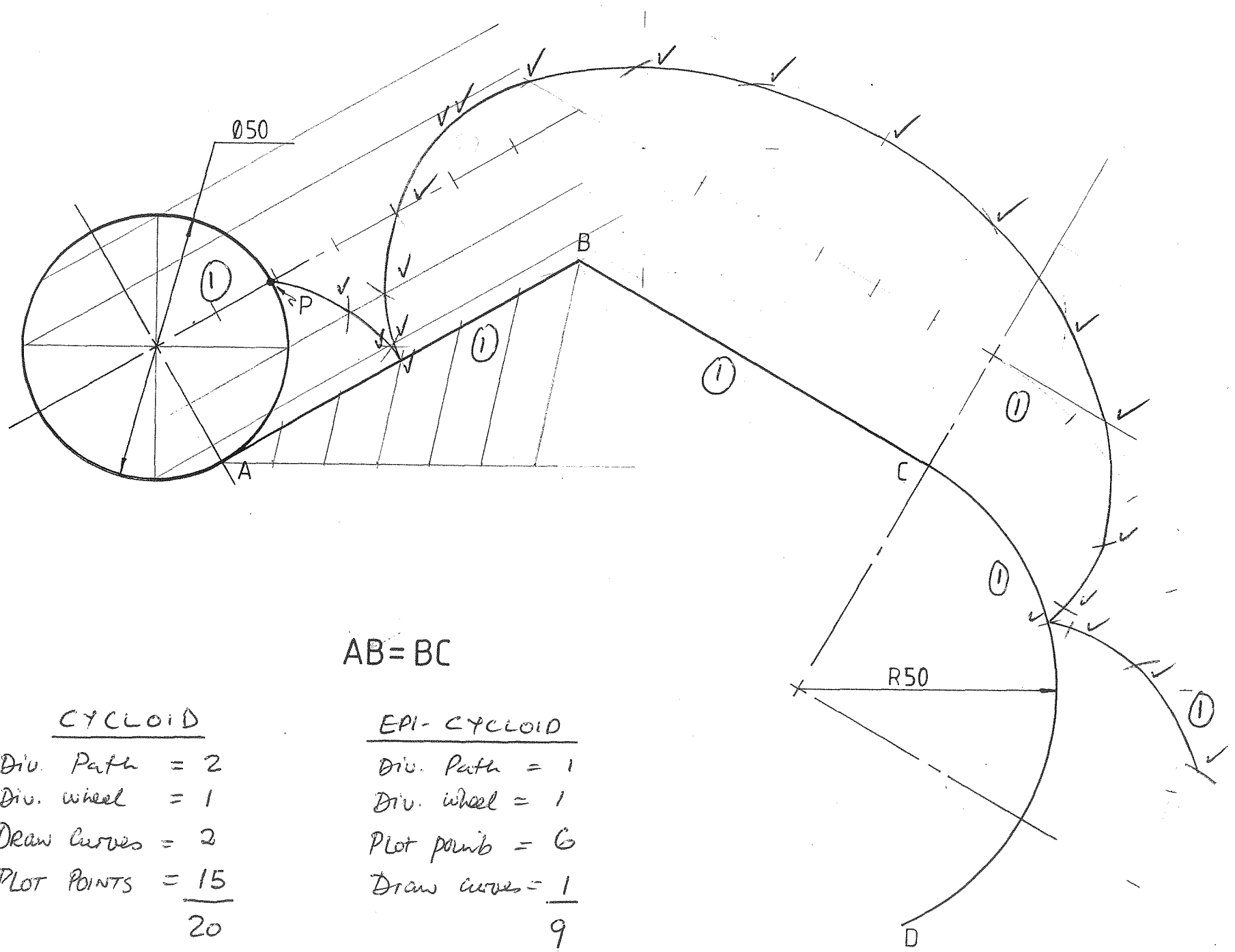


FIG. 2.2

$$\frac{v}{R} \times 360^\circ$$

$$= \frac{25}{50} \times 360^\circ = 180^\circ$$

$$\frac{1}{2} \text{ Rev.} = 90^\circ \rightarrow [2]$$

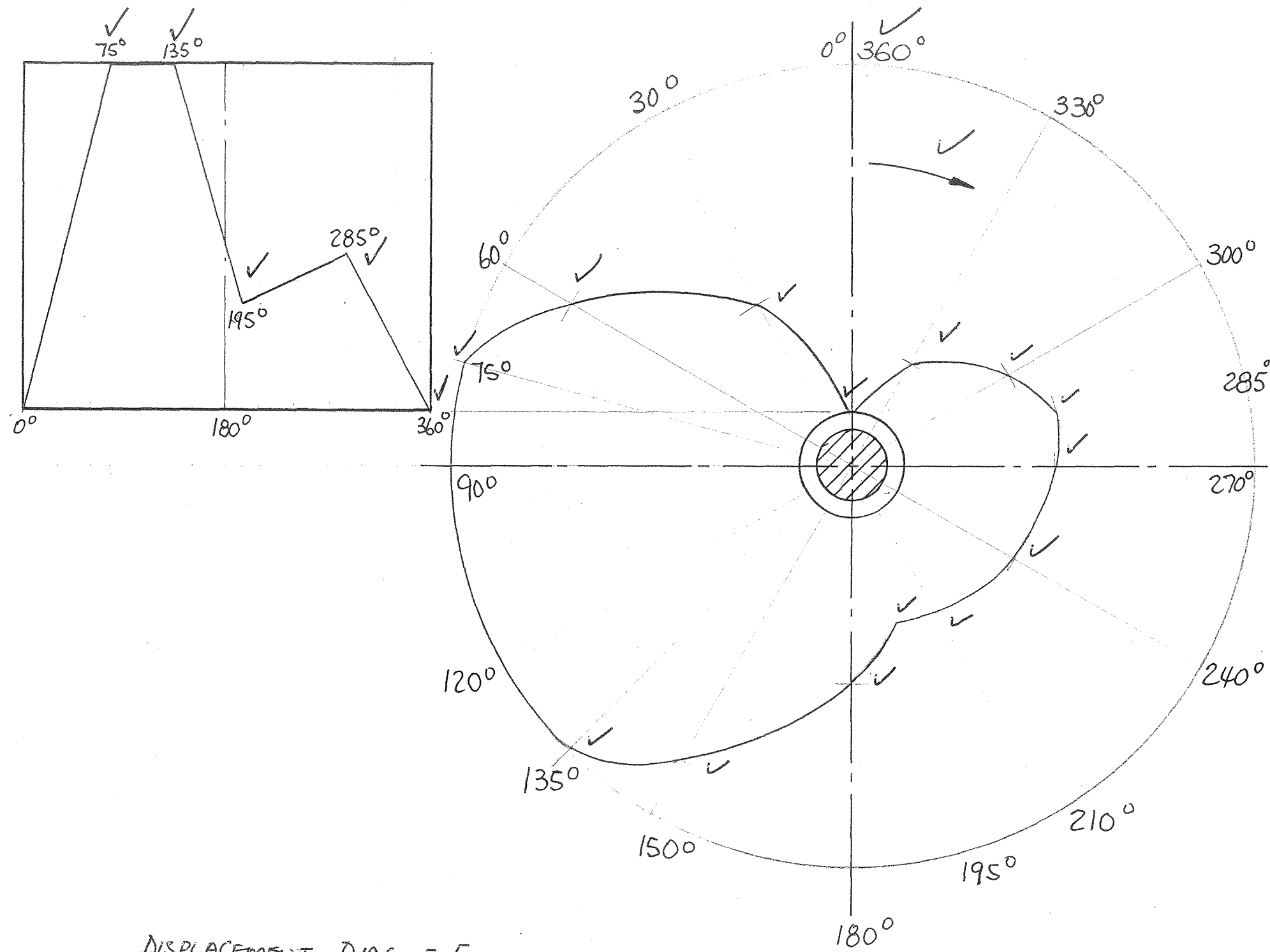


AB = BC

CYCLOID  
 Div. Path = 2  
 Div. wheel = 1  
 Draw curves = 2  
 PLOT POINTS =  $\frac{15}{20}$

EPI-CYCLOID  
 Div. Path = 1  
 Div. wheel = 1  
 Plot points = 6  
 Draw curves = 1  
 CALC. =  $\frac{9}{2} = 11$

FIG.3



DISPLACEMENT DIAG. = 5  
 PLOT POINTS = 14  
 ROTATION = 2  
 DRAW CURVES = 2  
 23

FIG. 4

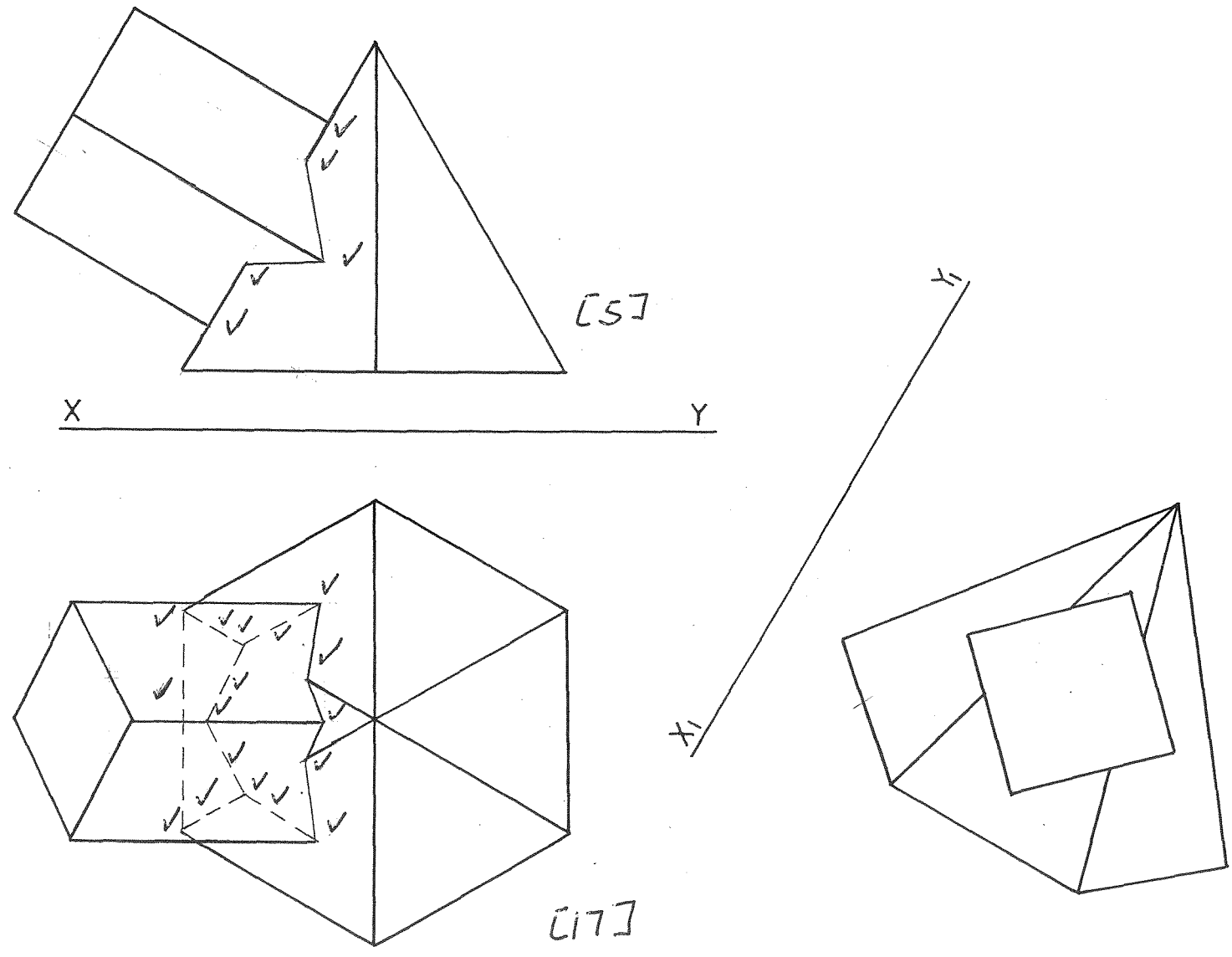


FIG. 5

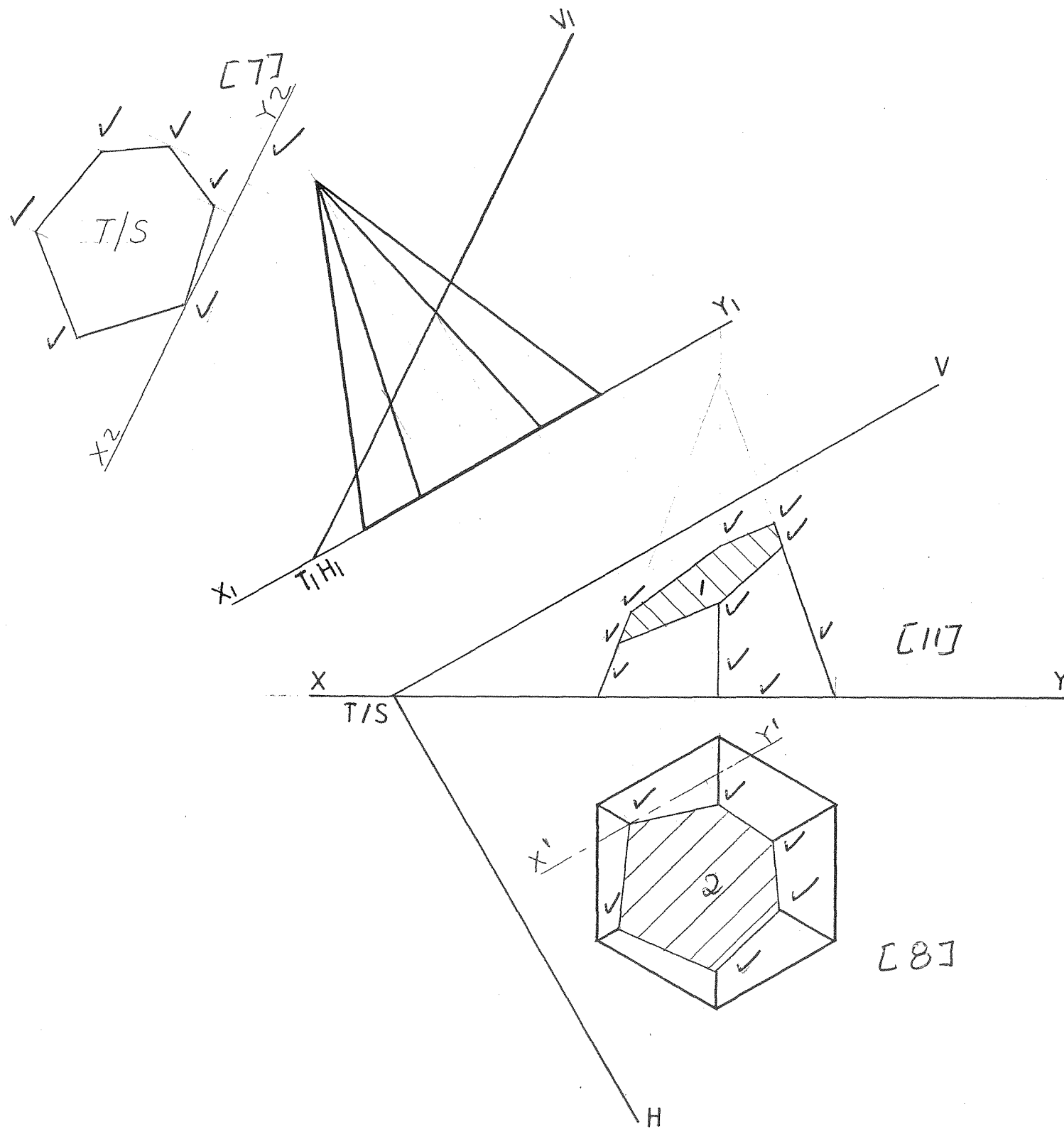


FIG.6