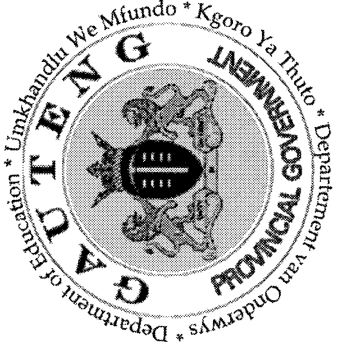


CANDIDATE'S NUMBER / KANDIDAAT SE NOMMER

--	--	--	--	--	--	--	--	--	--

**SENIOR CERTIFICATE EXAMINATION**  
**SENIORSERTIFIKAAT-EKSAMEN**



**OCTOBER / NOVEMBER**  
**OKTOBER / NOVEMBER**

**2004**

**TECHNICAL DRAWING**

**TEGNIËSE TEKENE**

(First Paper)  
(Eerste Vraestel)

ANSWER BOOK  
ANTWOORDBOEK

IG

711-3/XLS

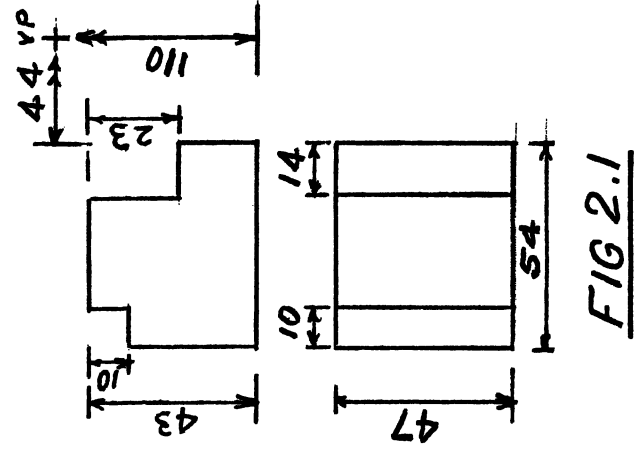
Cover + 2 pages / Voorblad + 2 bladsye

QUESTION VRAAG	MARKS PUNTE	INITIAL PARAFEEER
TOTAAL / TOTAL		

COPYRIGHT RESERVED / KOPIEREG VOORBEHOU  
APPROVED BY UMALUSI / GOEDGEKEUR DEUR UMALUSI



VRAAG 2 / QUESTION 2.




---



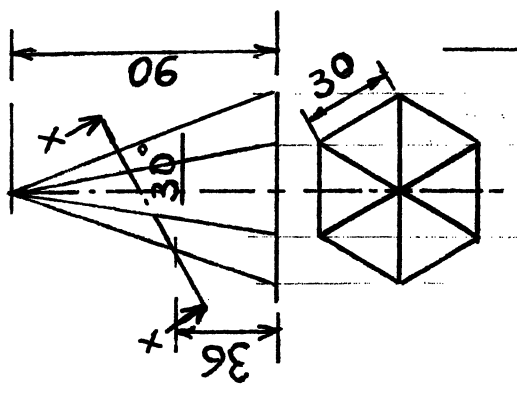
---



---

FIG. 2.2

VRAAG 1 / QUESTION 1.



BEGIN ONTW. HIER  
 START DEVELOP. HERE.

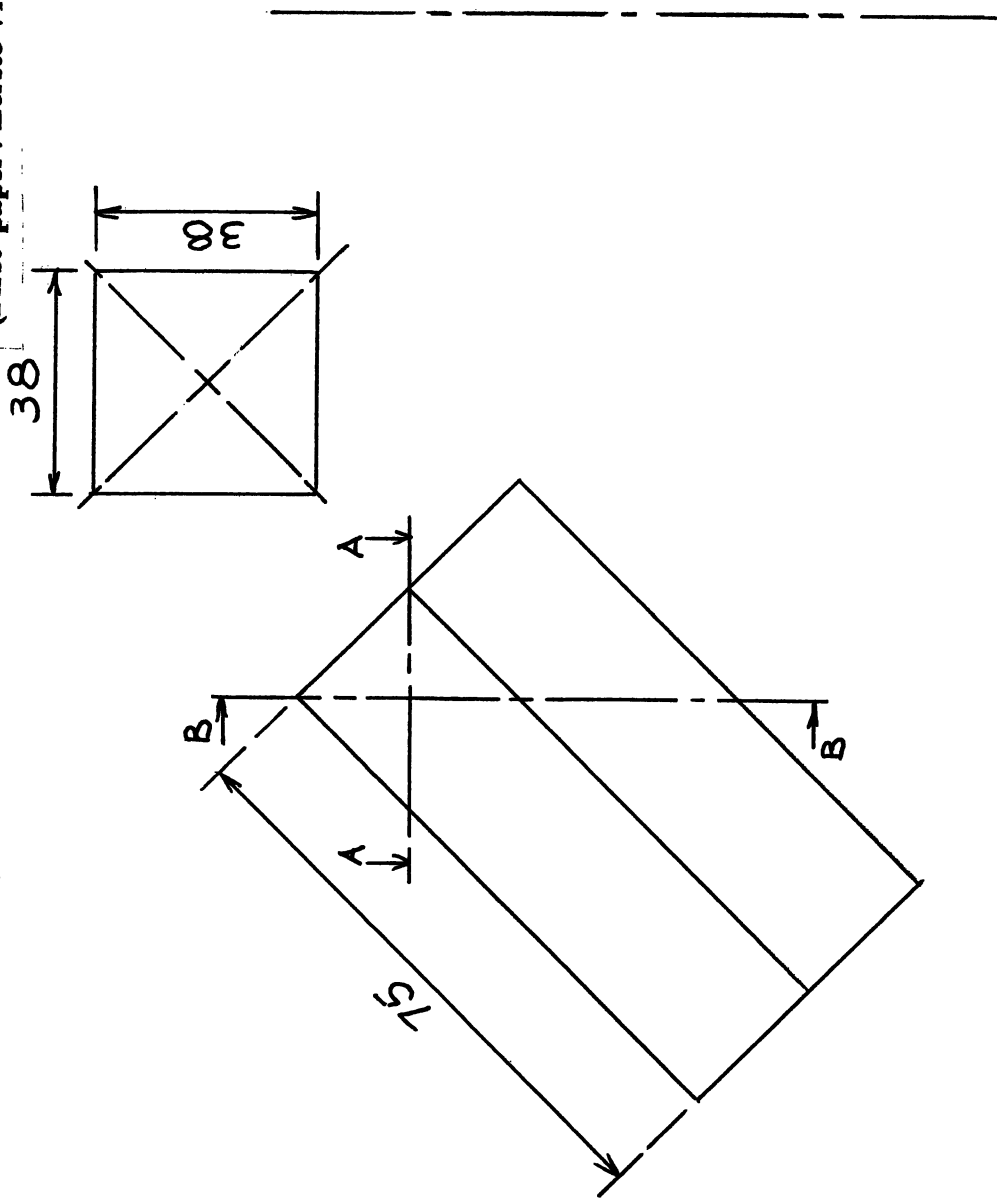
FIG. 1.2

---



---

VRAAG 4 / QUESTION 4.



FIGUUR 4 / FIGURE 4

VRAAG 3 / QUESTION 3.

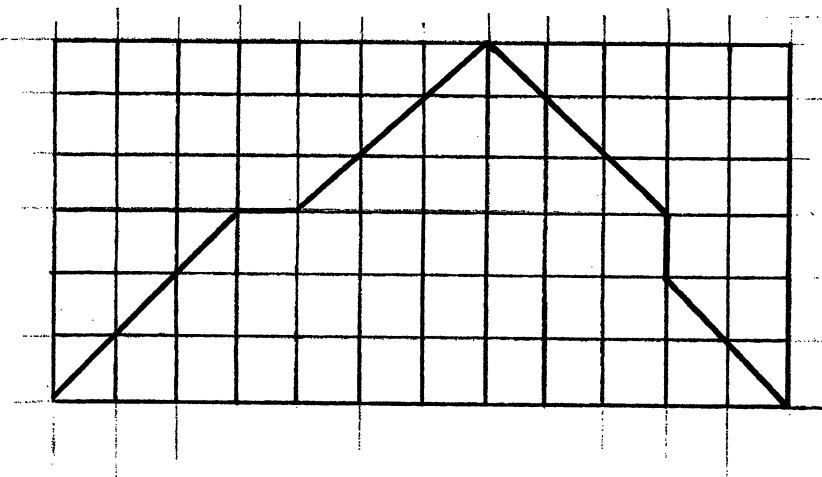


FIG. 3.1