

**POSSIBLE ANSWERS FOR /  
MOONTLIKE ANTWOORDE VIR :**

**TECHNICAL DRAWING SG  
TEGNIесе TEKENE SG**

**PAPER 1  
VRAESTEL 1**

**711-2/1**

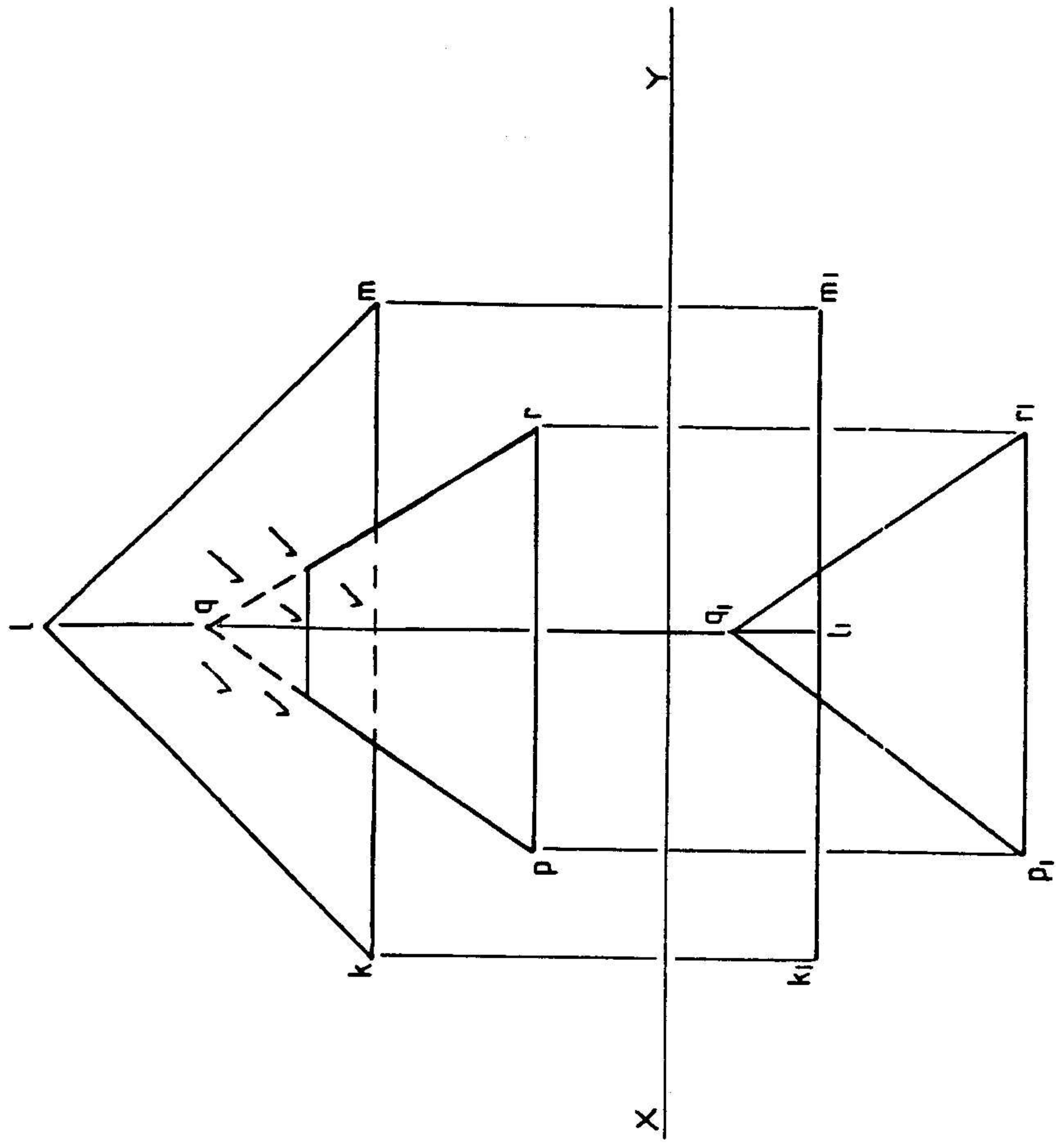
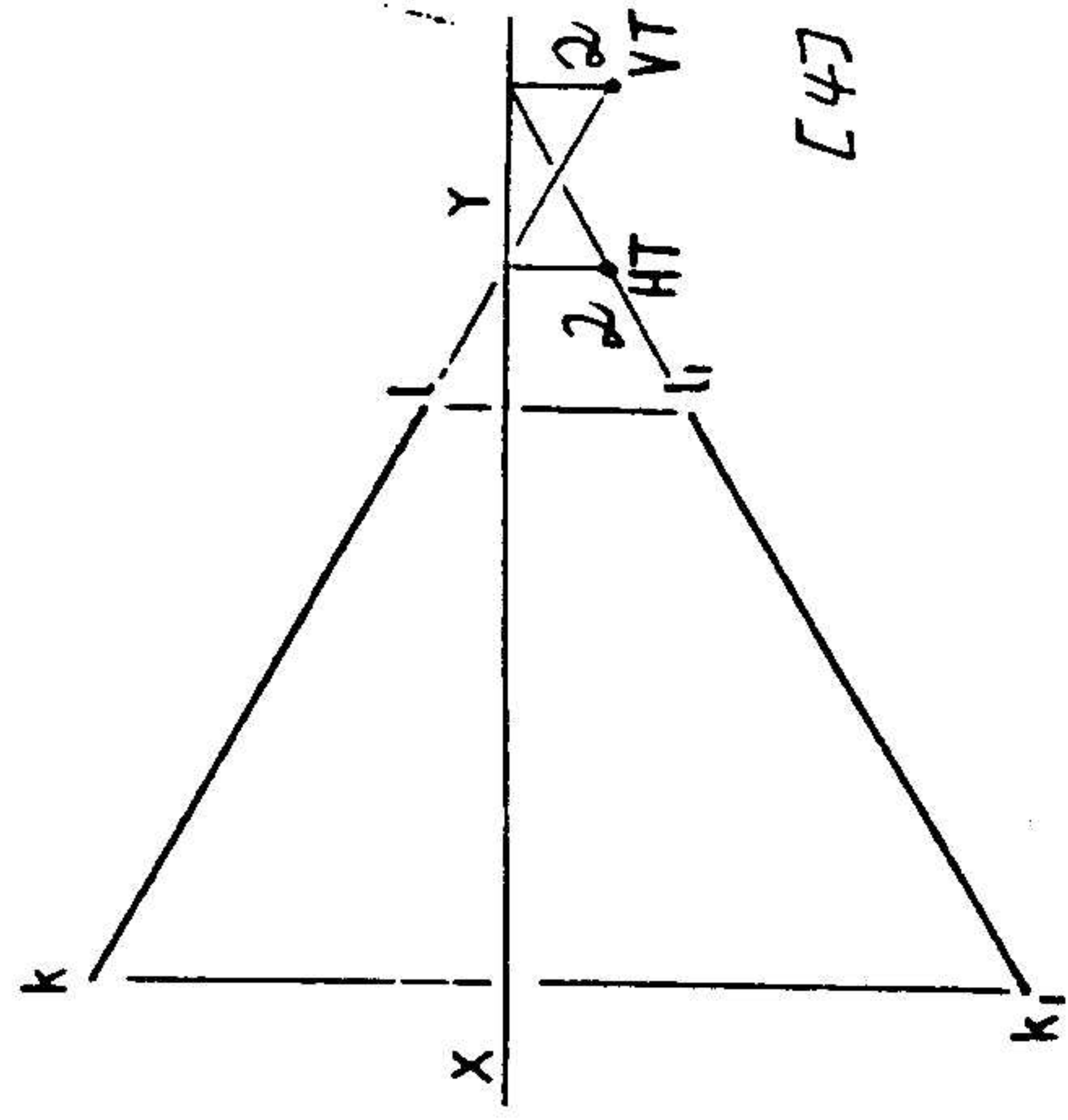
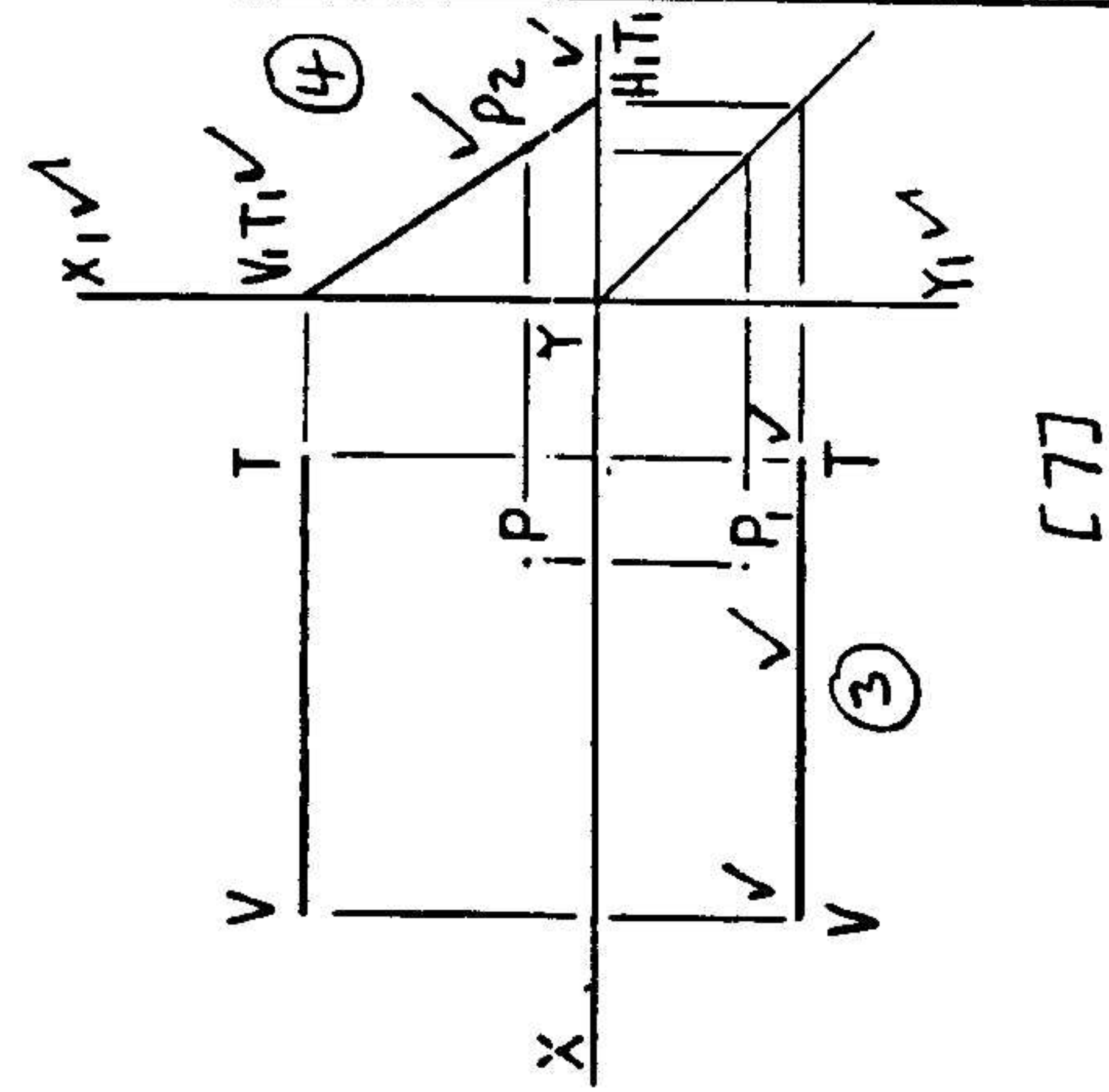
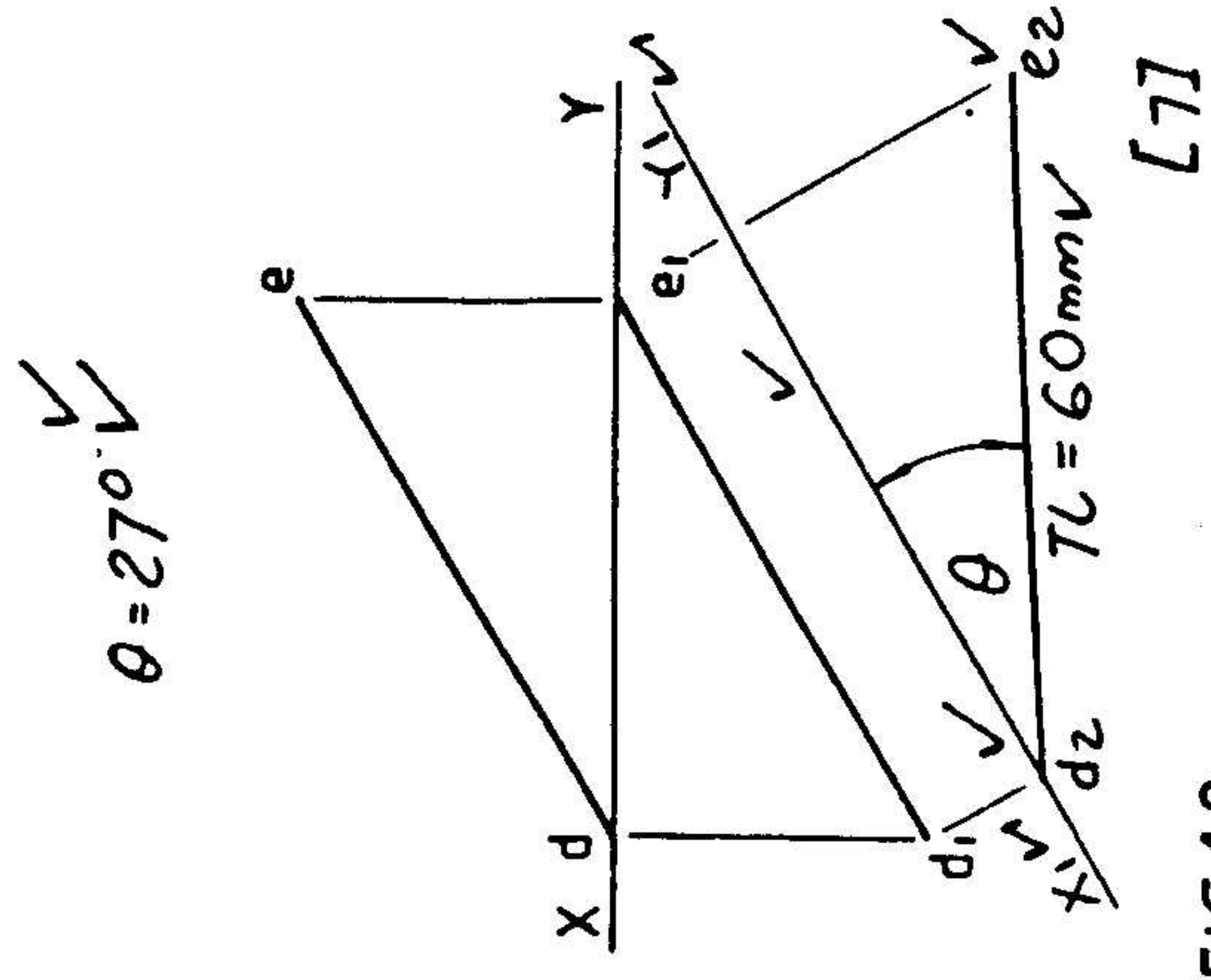
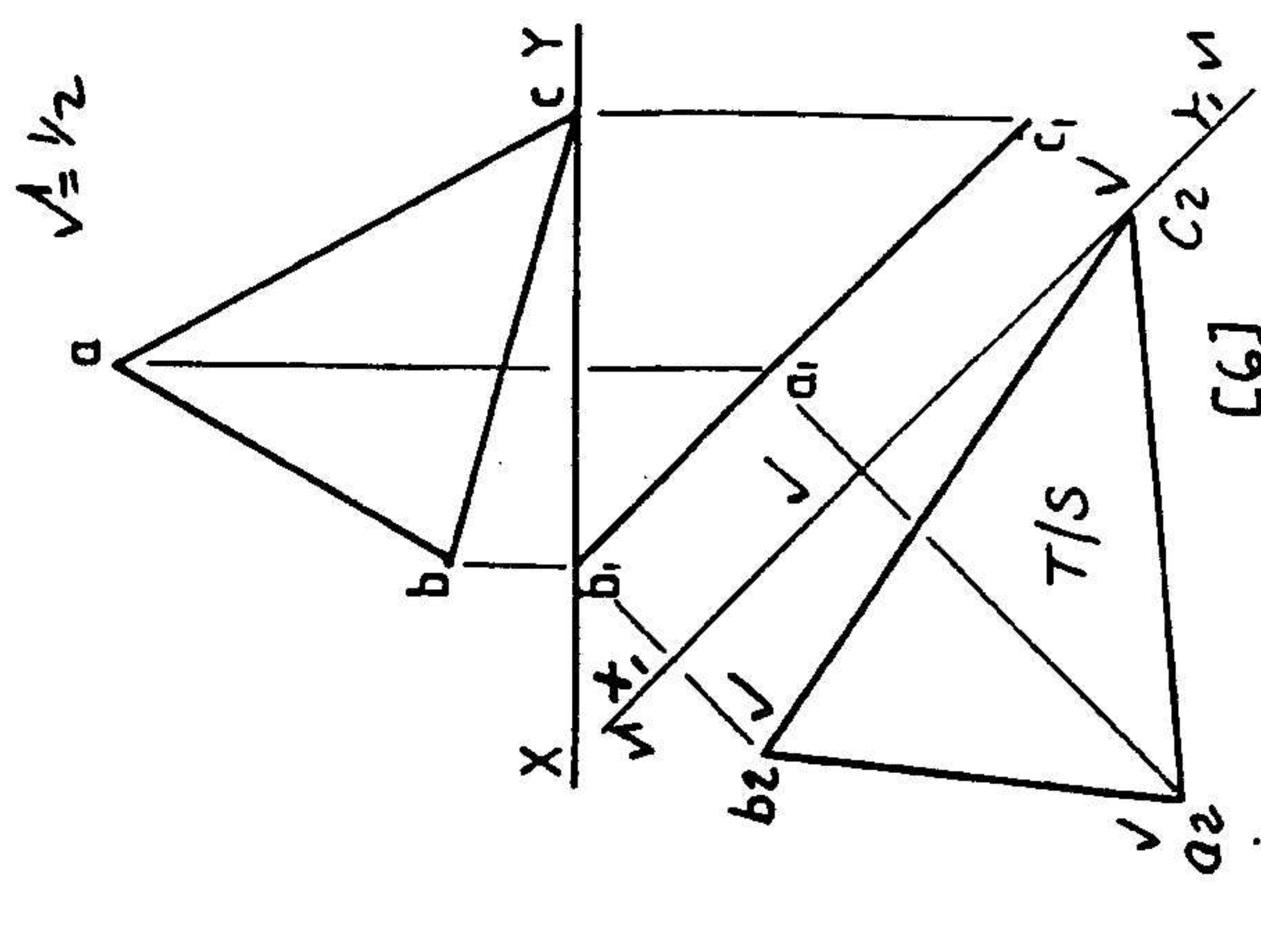
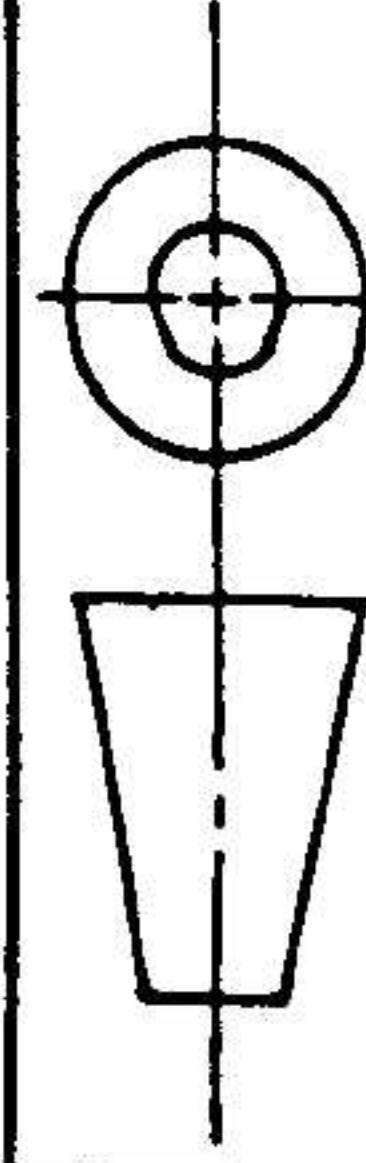


FIG. 1.3

EKSAMENNUMMER  
EXAMINATION NO.

ANTWOORDVEL  
ANSWER SHEET 1

VRAAG  
QUESTION 1





DISPLACEMENT DIAGRAM

VERPLASINGSDIAGRAM

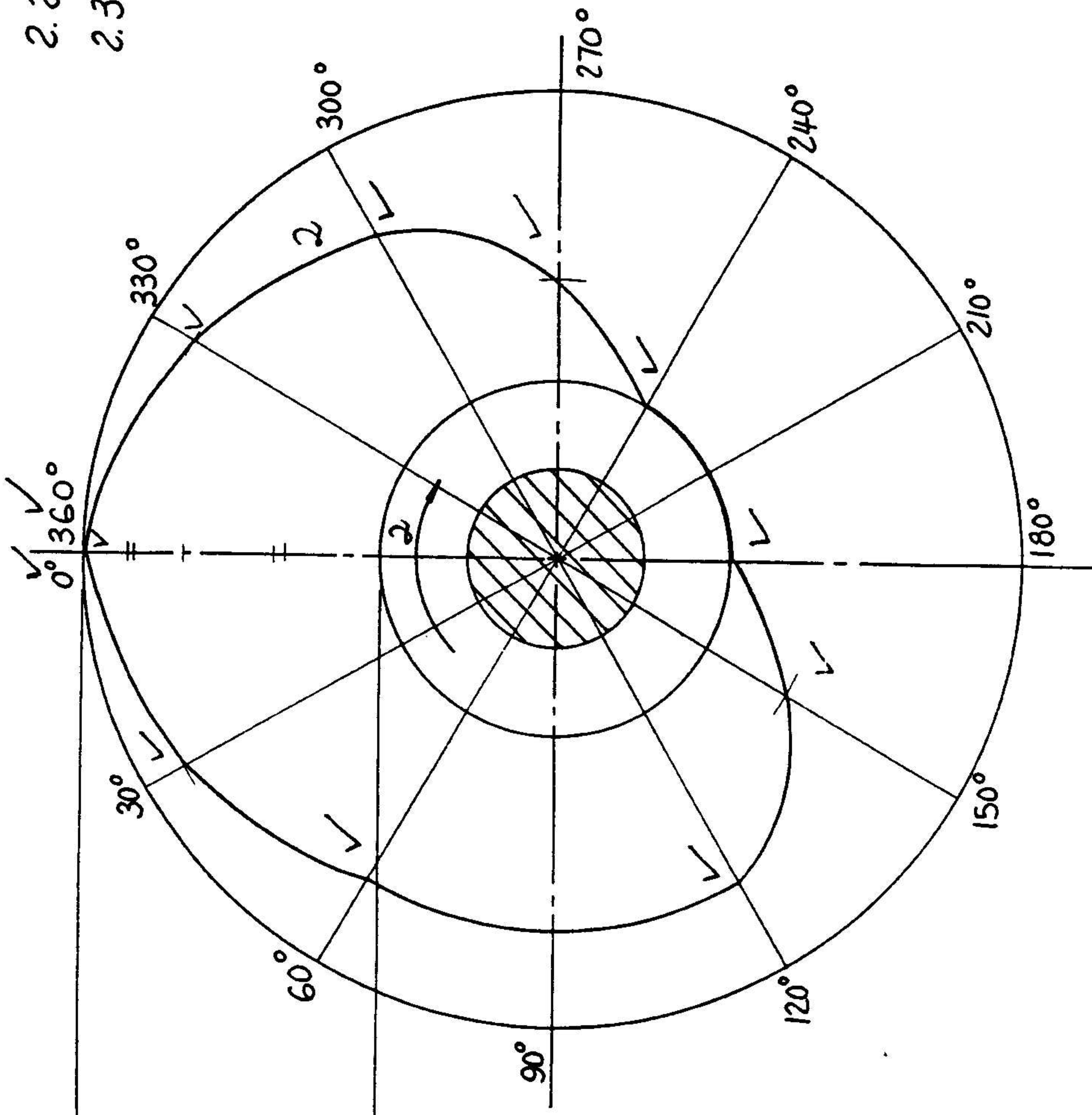
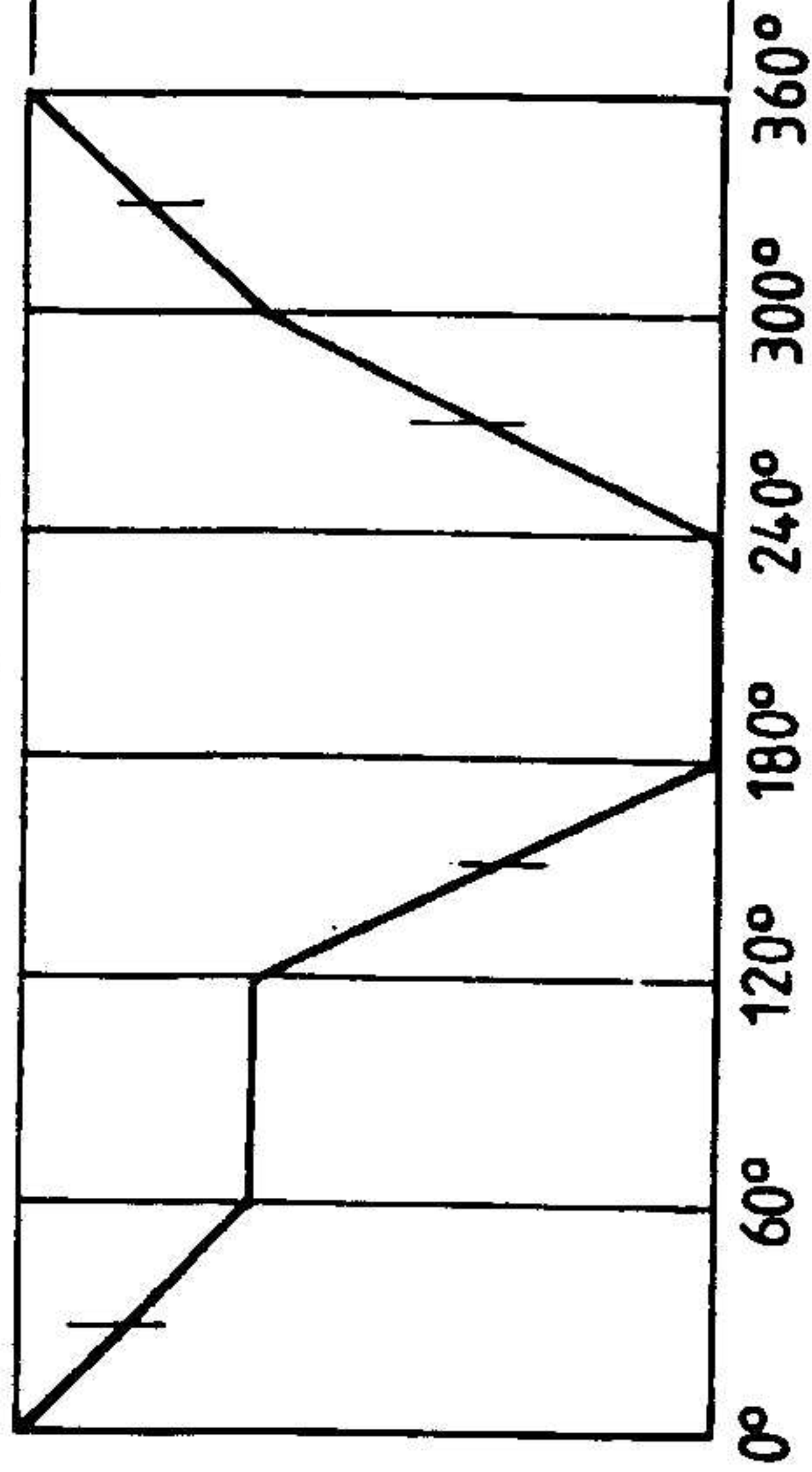


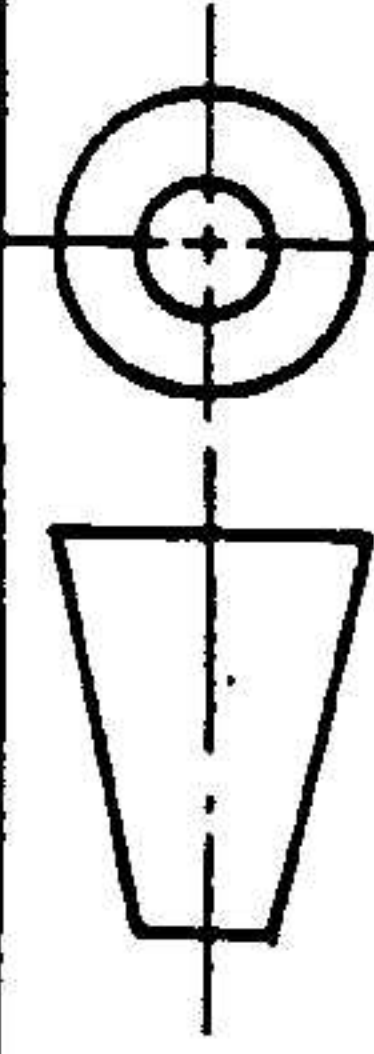
FIG. 2

- 2.2 30mm ✓✓
- 2.3 50mm ✓✓

EKSAMENNUMMER  
 EXAMINATION NO.

ANTWOORDVEL 2  
 ANSWER SHEET

VRAAG 2  
 QUESTION





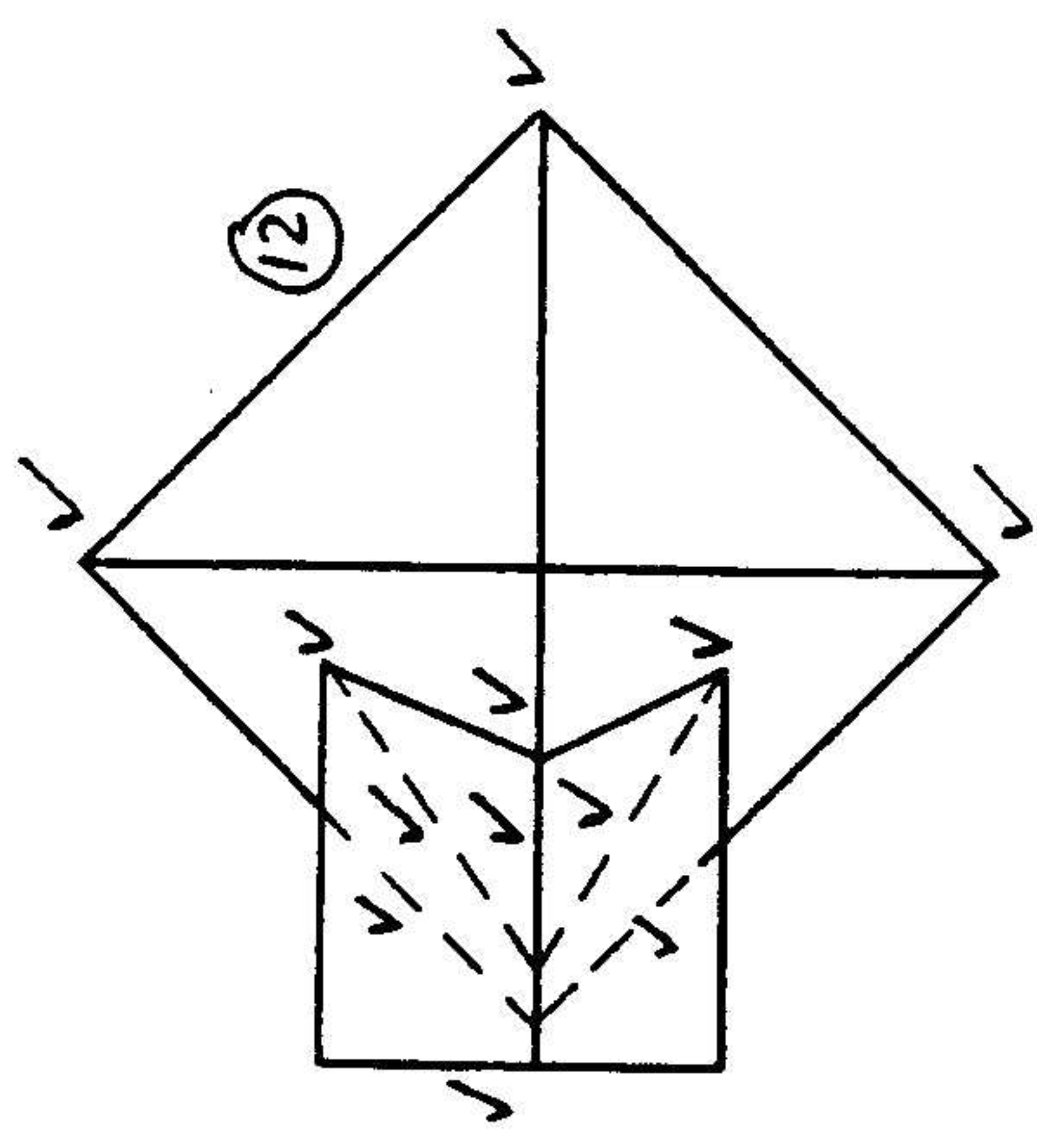
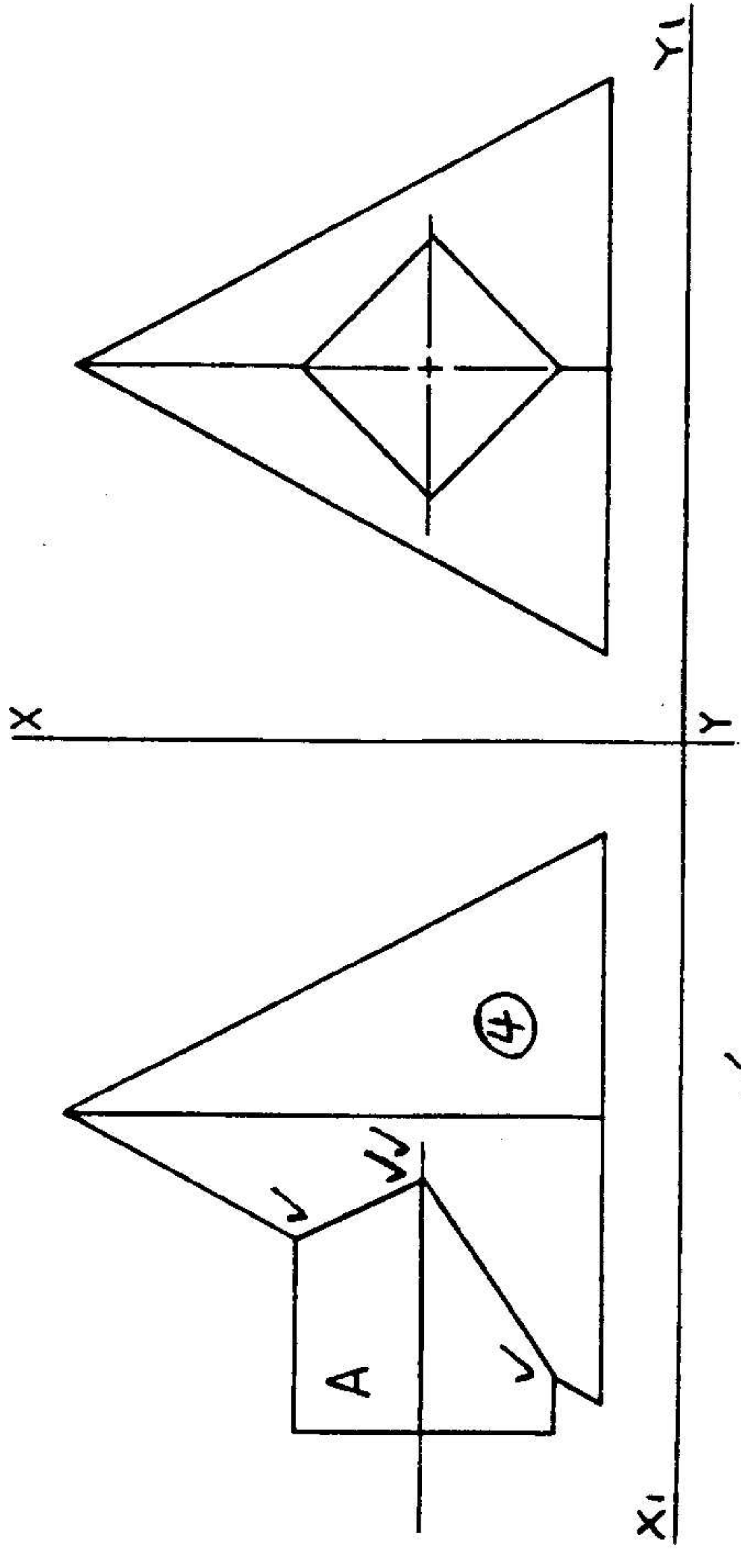
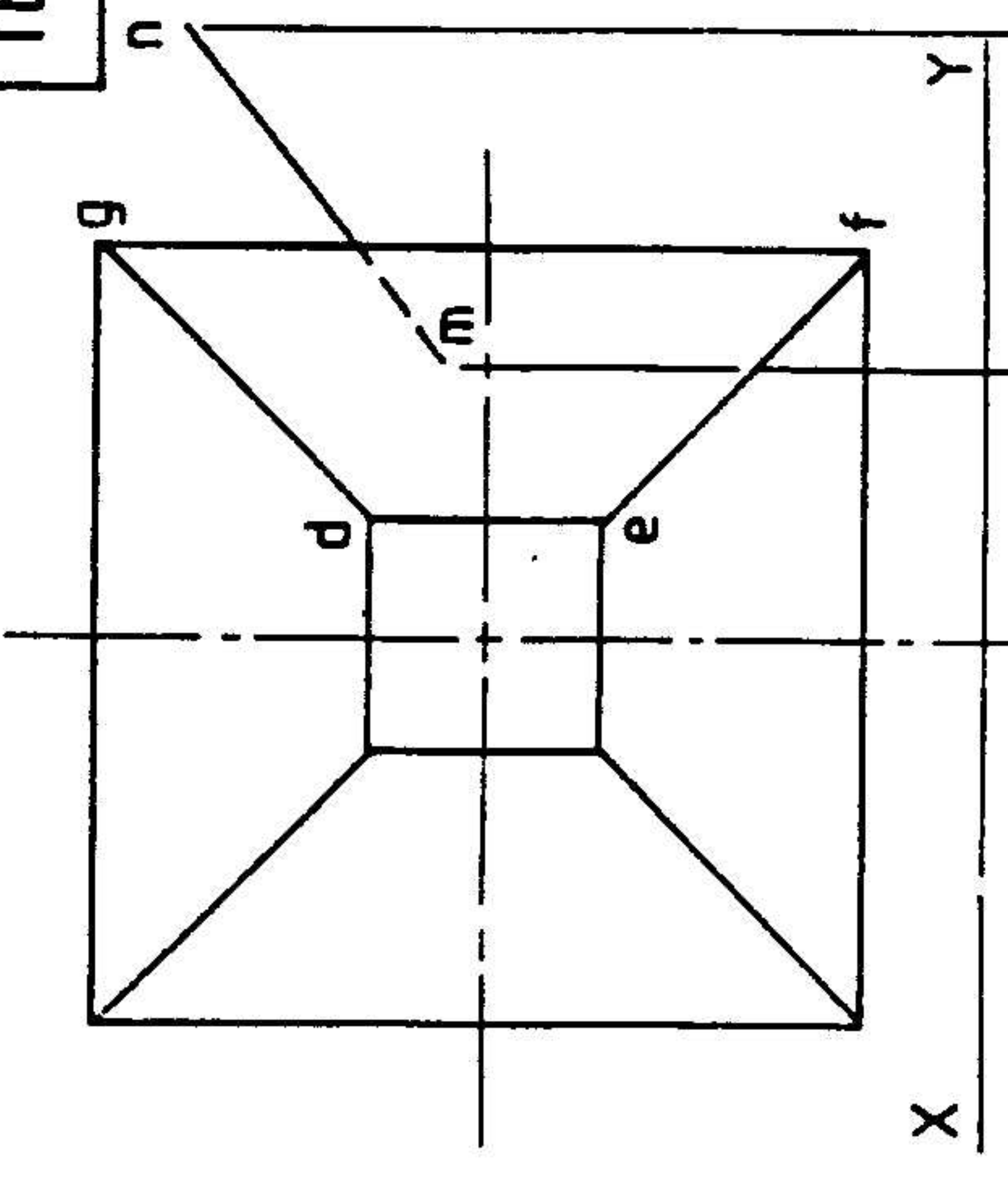
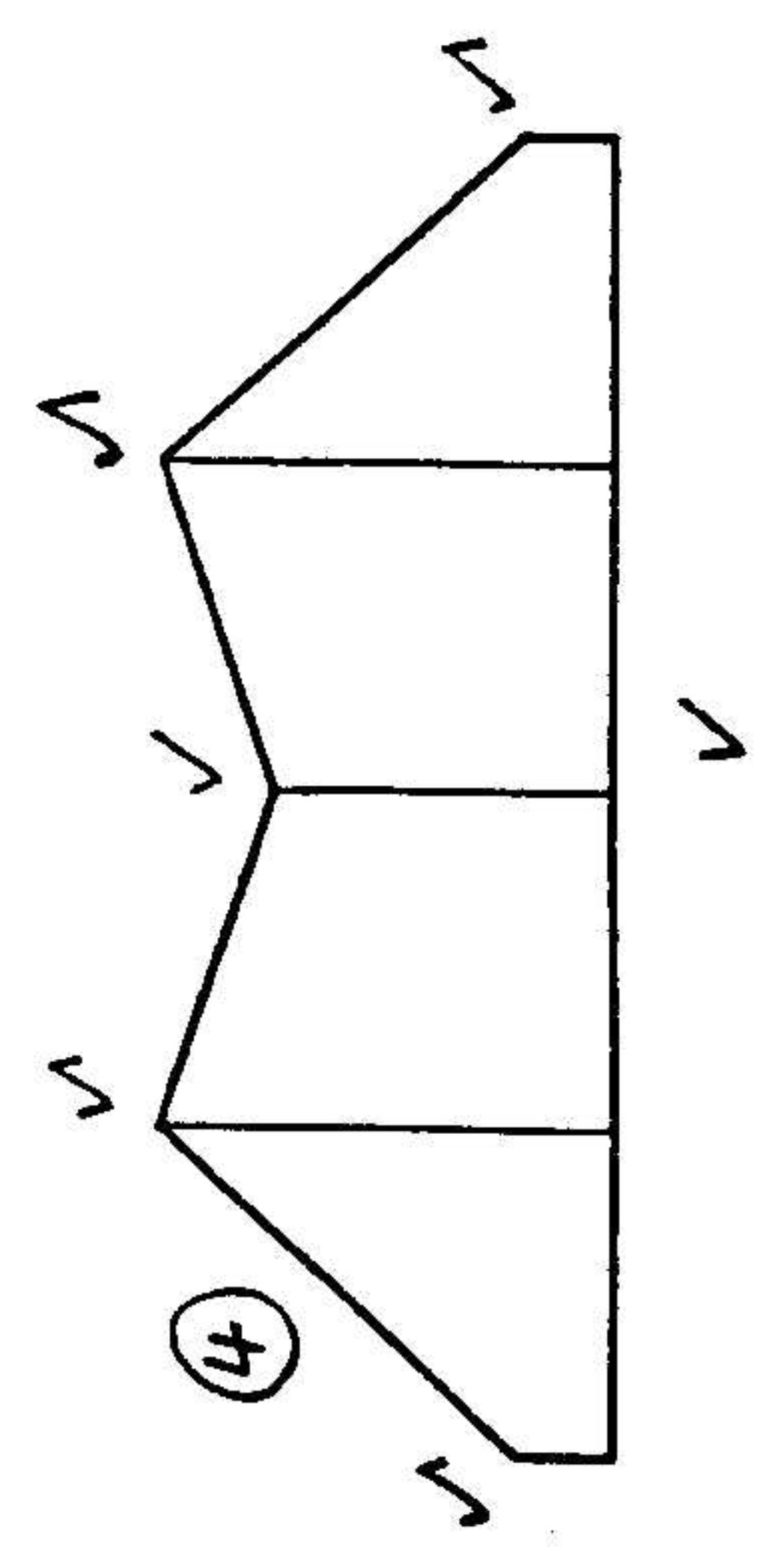


FIG. 3



$\theta = 18^\circ \checkmark \checkmark$   
 $MN = 42 \checkmark$

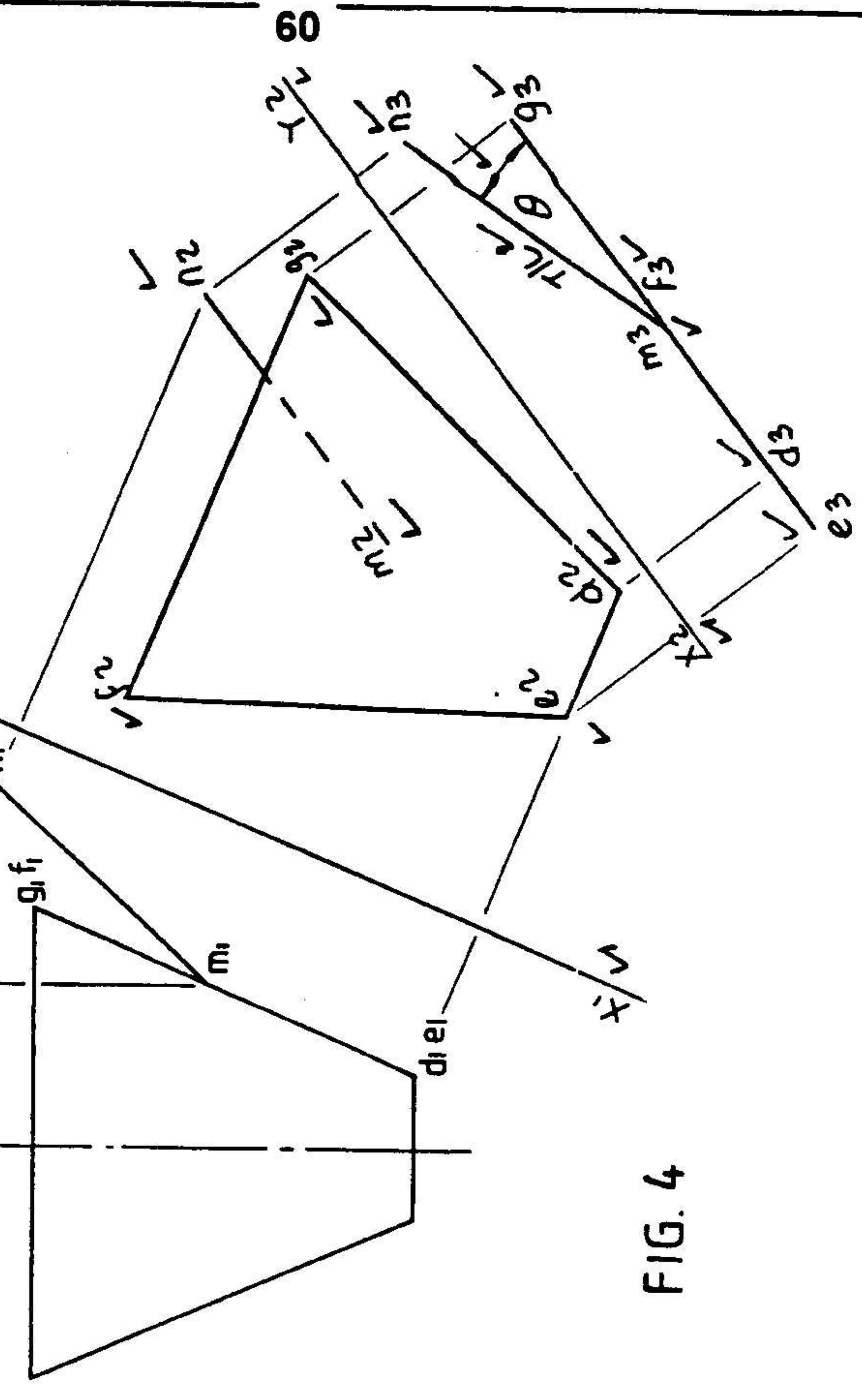
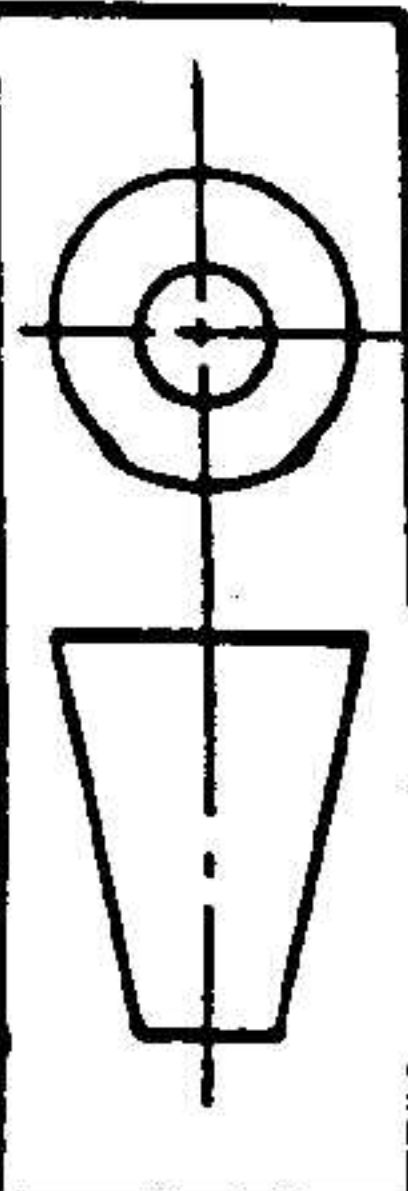


FIG. 4

EKSAMENNUMMER  
 EXAMINATION NO.

ANTWOORDVEL 3  
 ANSWER SHEET

VRAAG 3 EN 4  
 QUESTION 3 AND 4





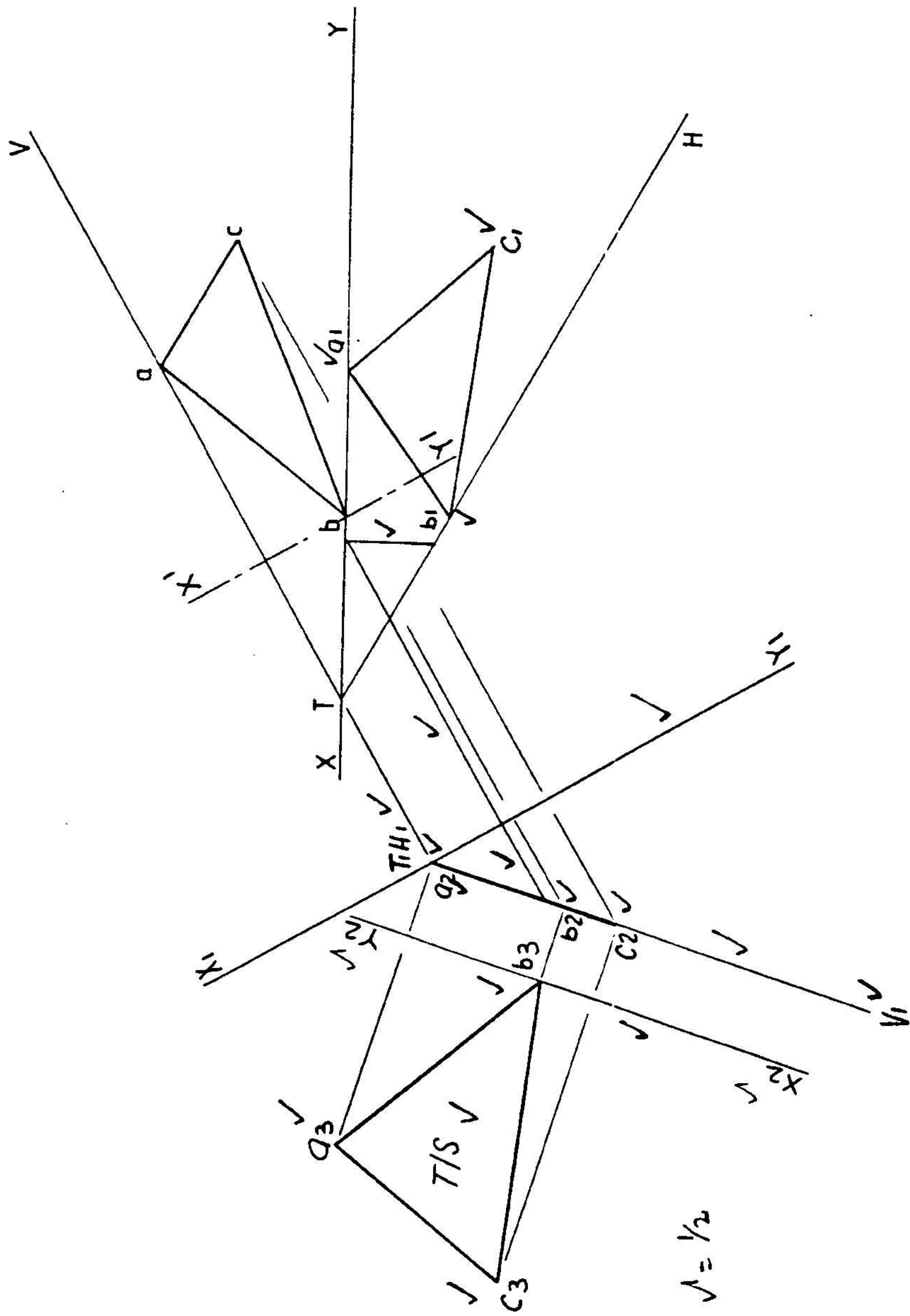
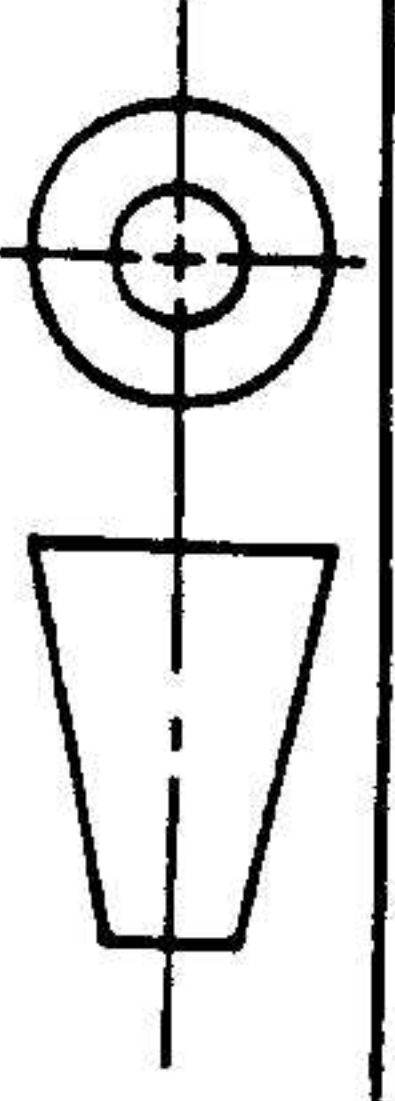


FIG. 5

EKSAMENNOMMER  
 EXAMINATION NO.

ANTWOORDVEL  
 ANSWER SHEET

VRAAG 5  
 QUESTION





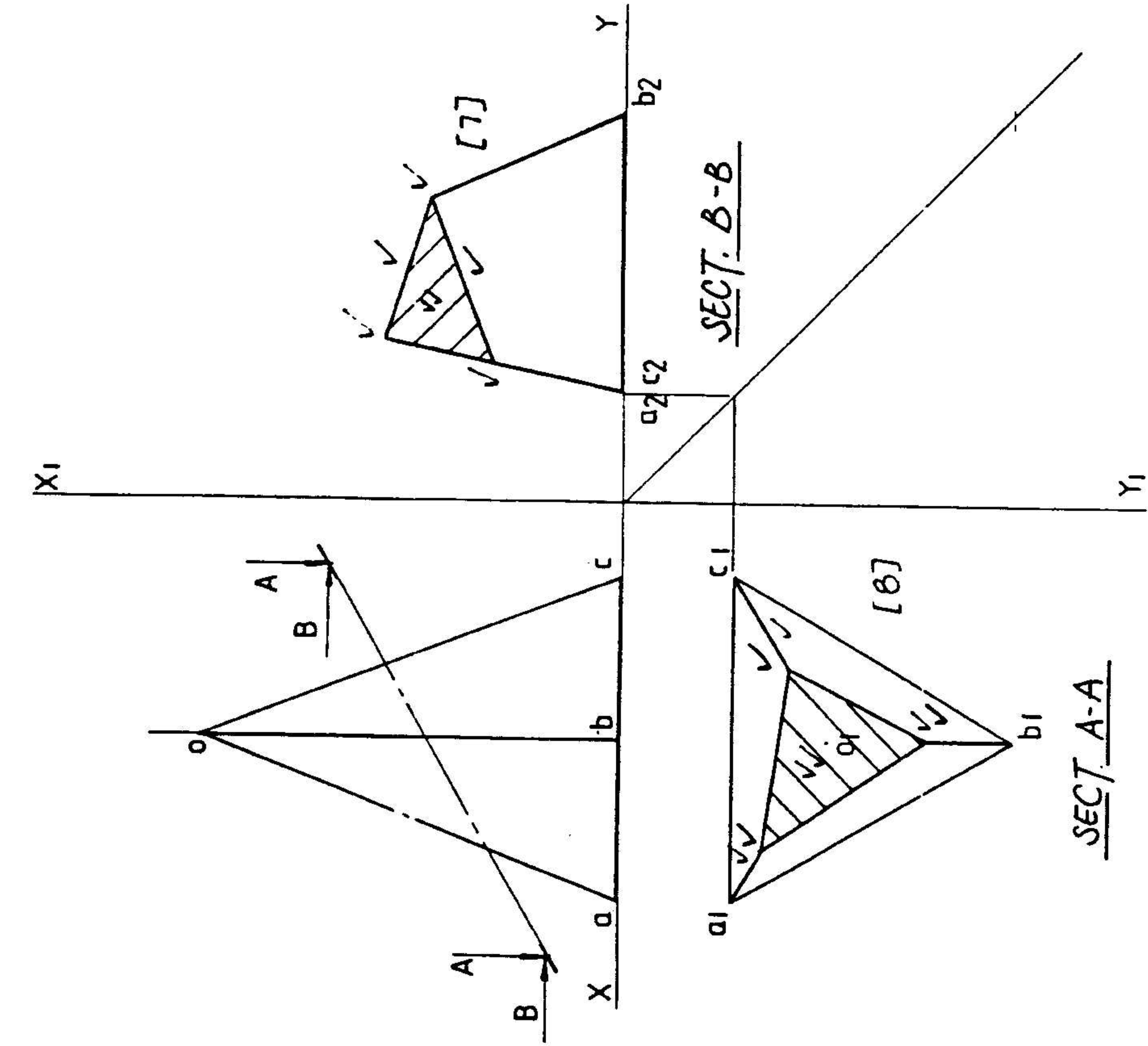


FIG. 6

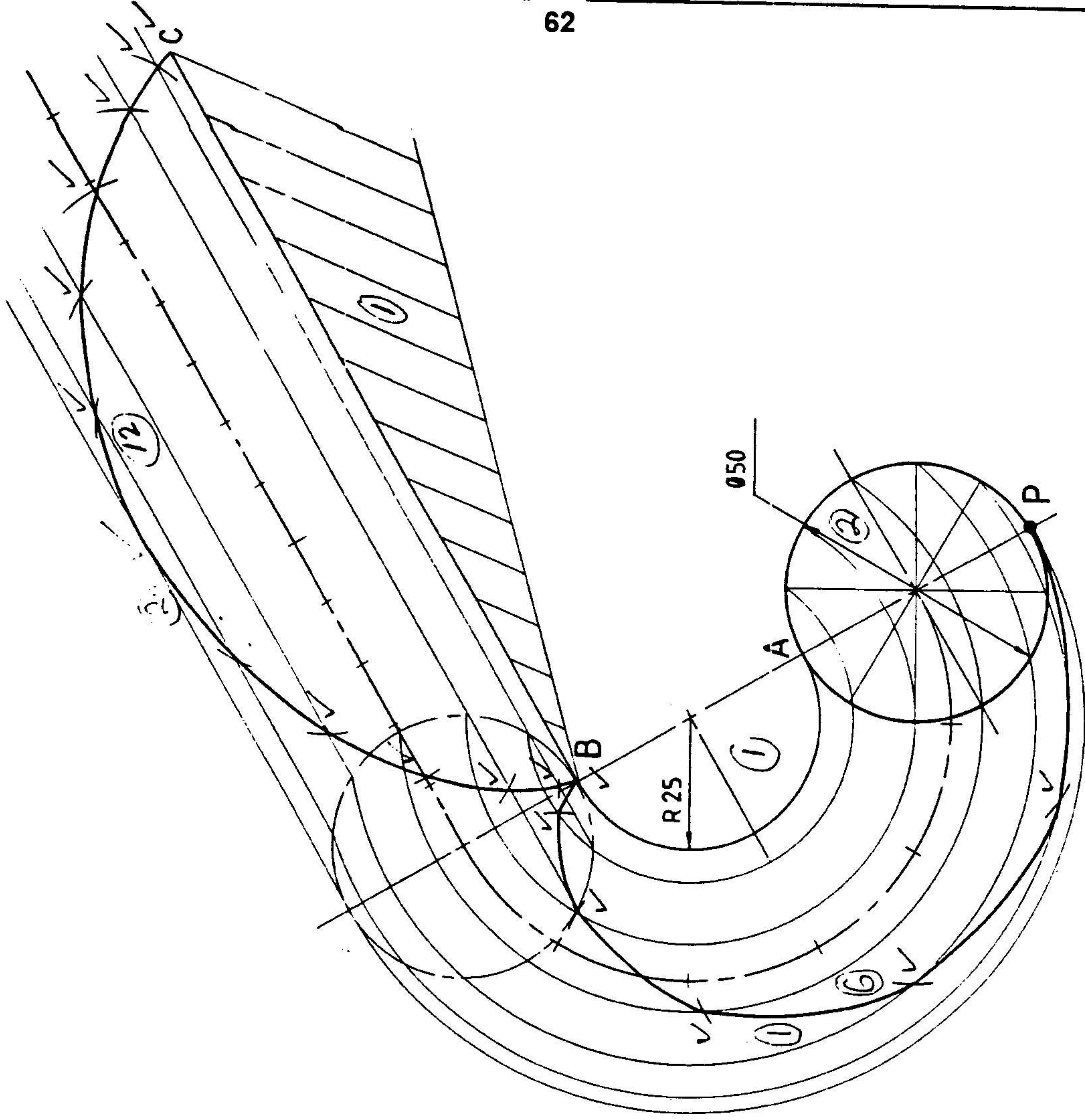
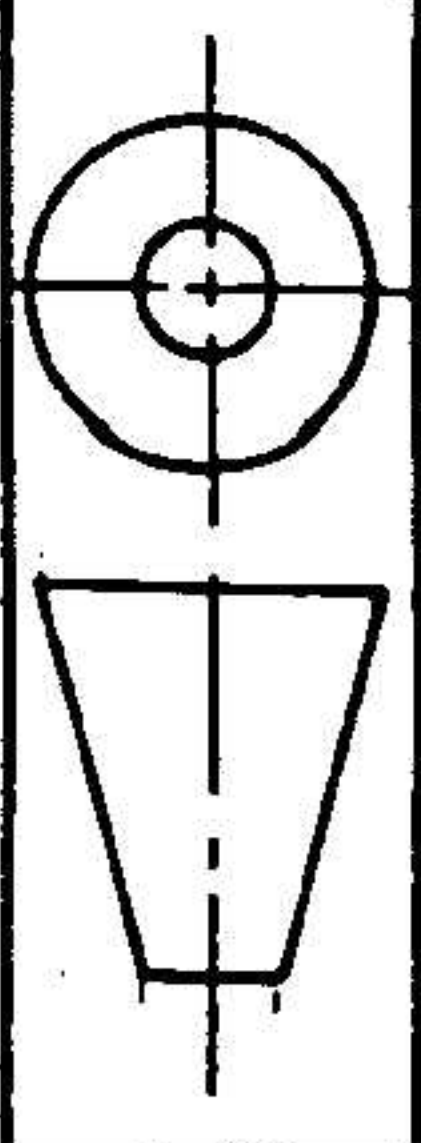


FIG. 7

EKSAMENNUMMER  
 EXAMINATION NO.

ANTWOORDVEL 5  
 ANSWER SHEET

VRAAG 6 EN 7  
 QUESTION 6 AND 7





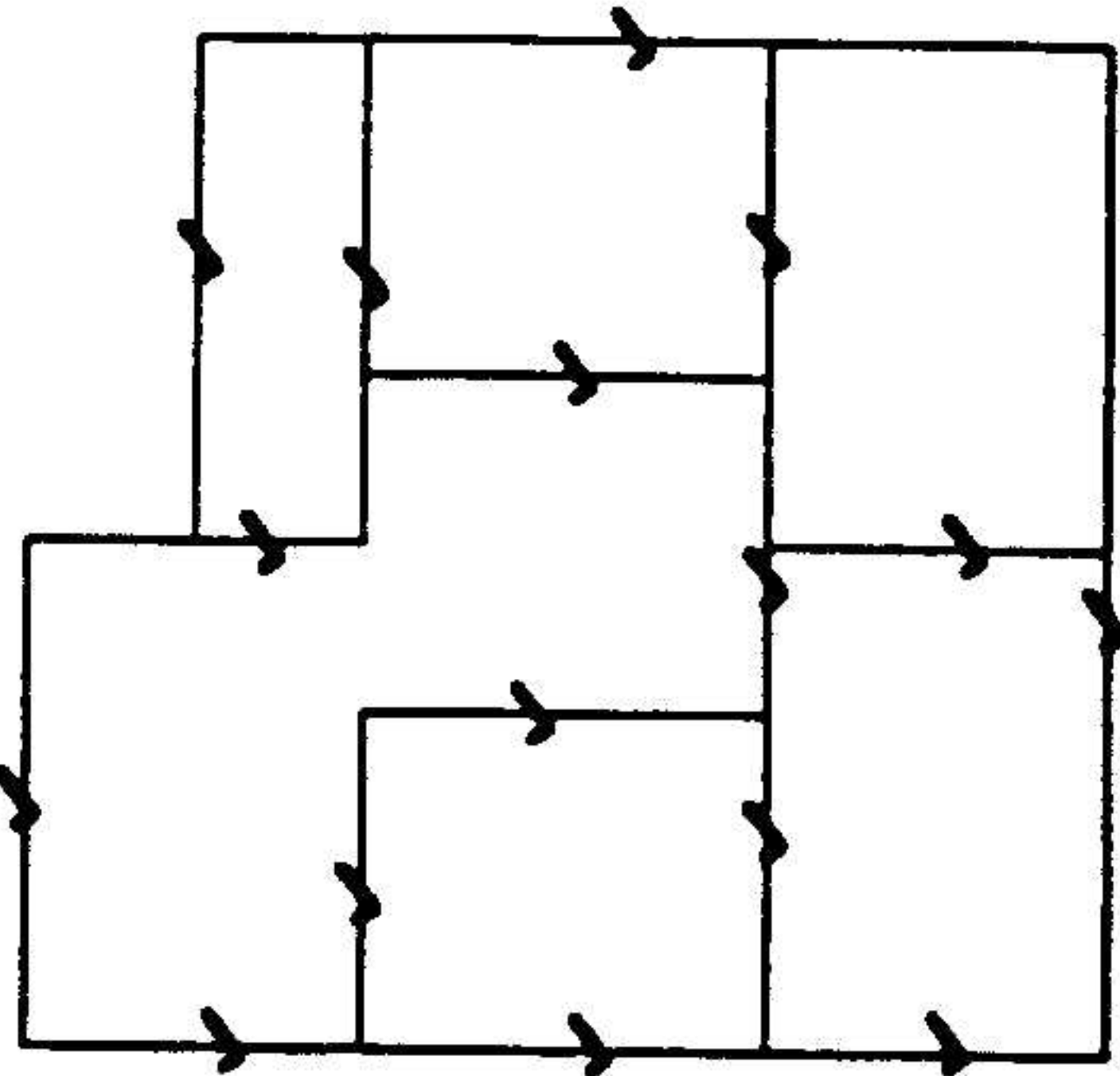
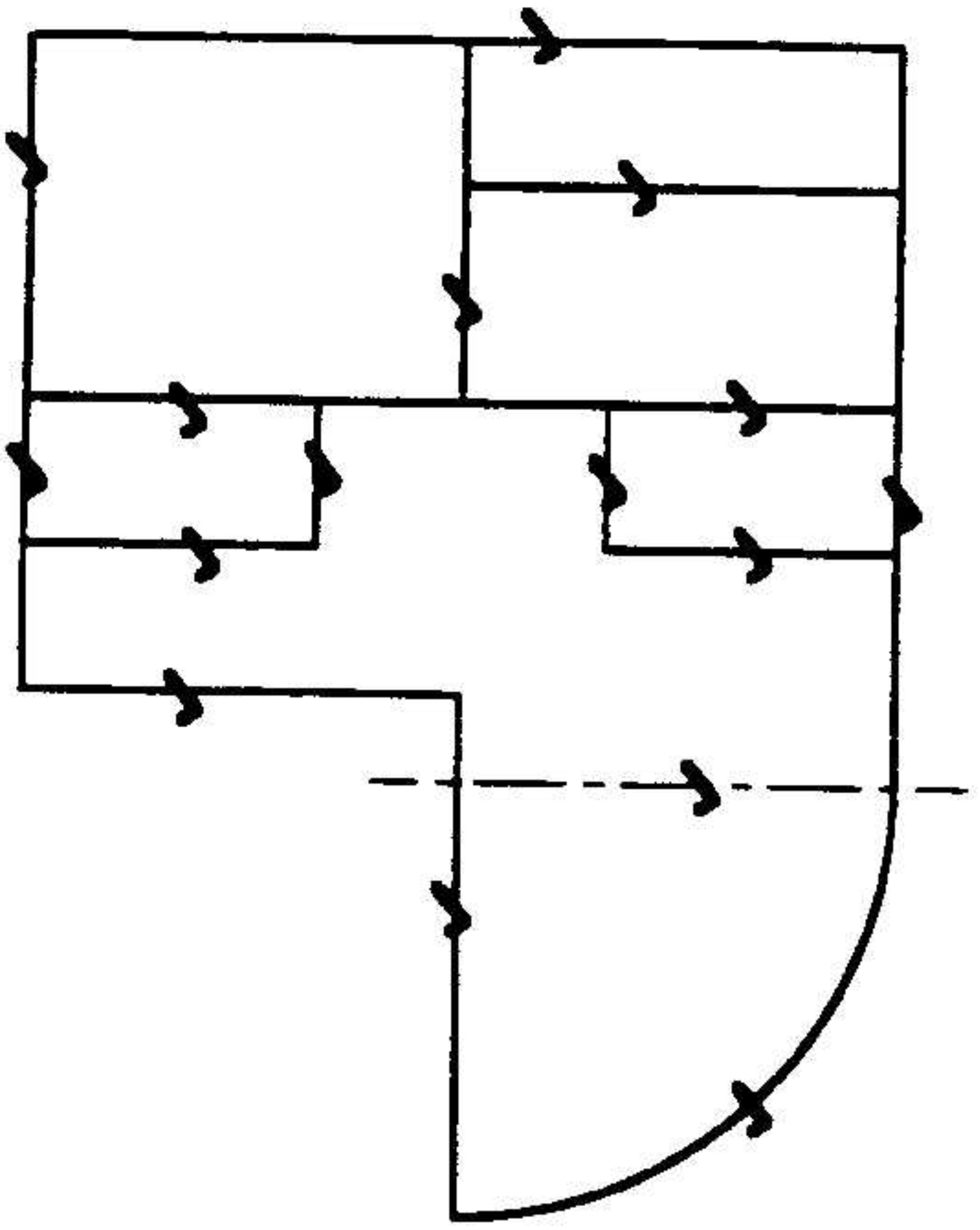
**POSSIBLE ANSWERS FOR /  
MOONTLIKE ANTWOORDE VIR :**

**TECHNICAL DRAWING SG  
TEGNIESE TEKENE SG**

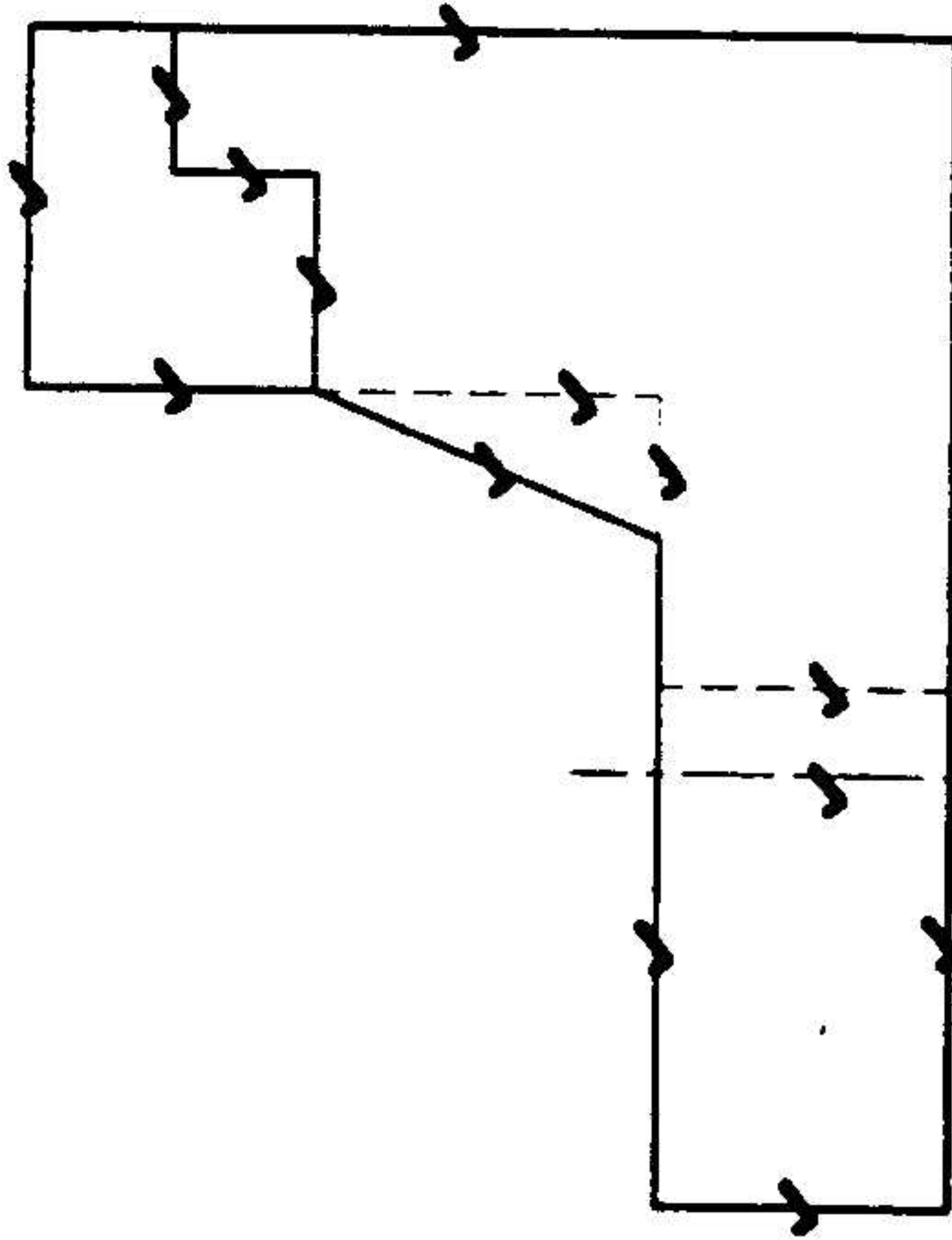
**PAPER 2  
VRAESTEL 2**

**711-2/2**

16x½=8



16x½=8

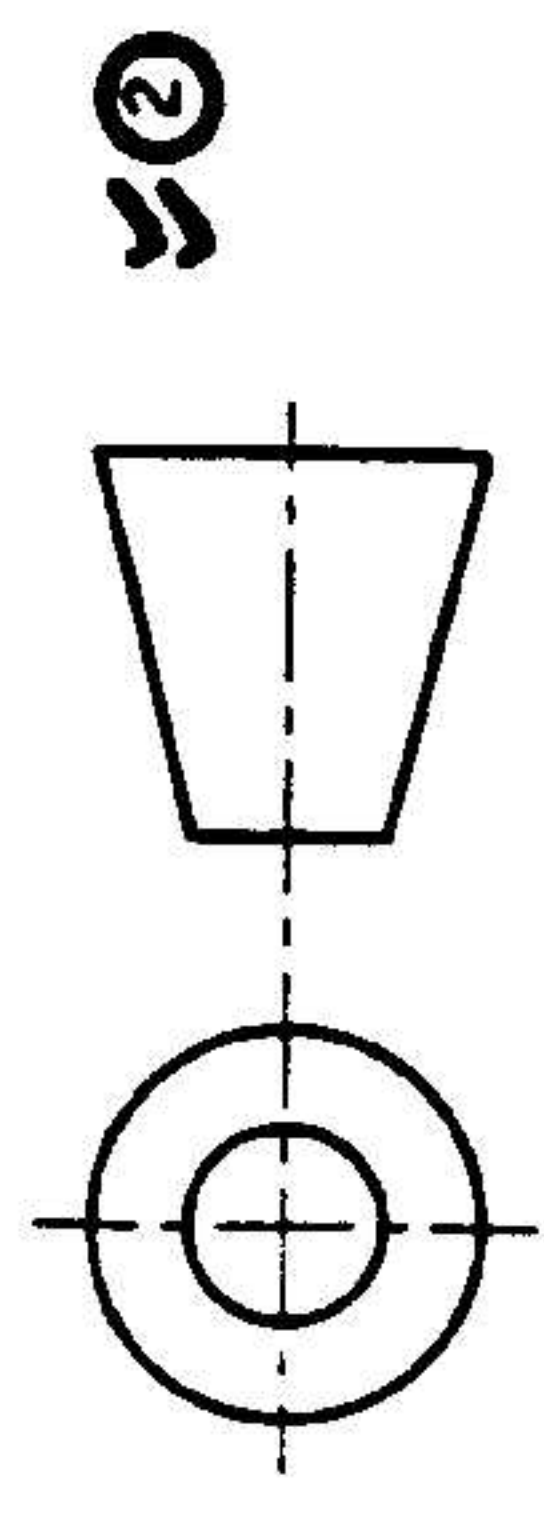


14x½=7

64

1.1	7			
1.2	8			
1.3	8			
1.4	2			
TOTAL	25			
TOTAAL				

SYMBOL / SIMBOOL



EXAM NUMBER:  
EKSAMENNOMMER:

TEGNIJSE TEKENE STANDAARDGRAAD  
TECHNICAL DRAWING STANDARD GRADE

SG 711 - 2/2R  
SG 711 - 2/2R

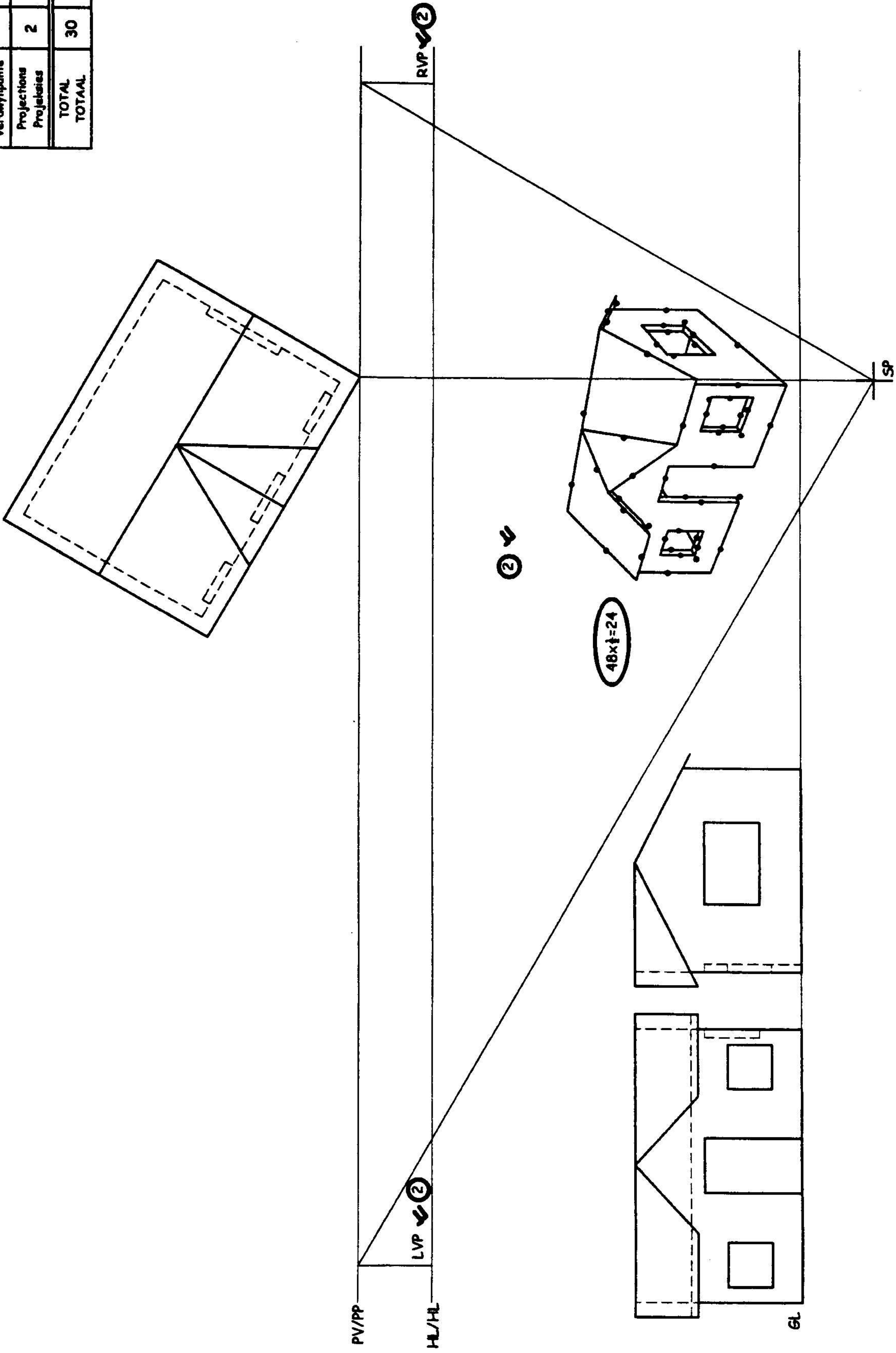
ANTWOORDVEL 1  
ANSWER SHEET 1







Antwoorde Answers	24		
Verwagte punte Expected points	4		
Projeksies Projections	2		
TOTAAL TOTAL	30		



EXAM NUMBER:  
EKSAMENNUMMER:

<input type="checkbox"/>	<input type="checkbox"/>	<input type="checkbox"/>	<input type="checkbox"/>	<input type="checkbox"/>	<input type="checkbox"/>	<input type="checkbox"/>	<input type="checkbox"/>	<input type="checkbox"/>	<input type="checkbox"/>
--------------------------	--------------------------	--------------------------	--------------------------	--------------------------	--------------------------	--------------------------	--------------------------	--------------------------	--------------------------

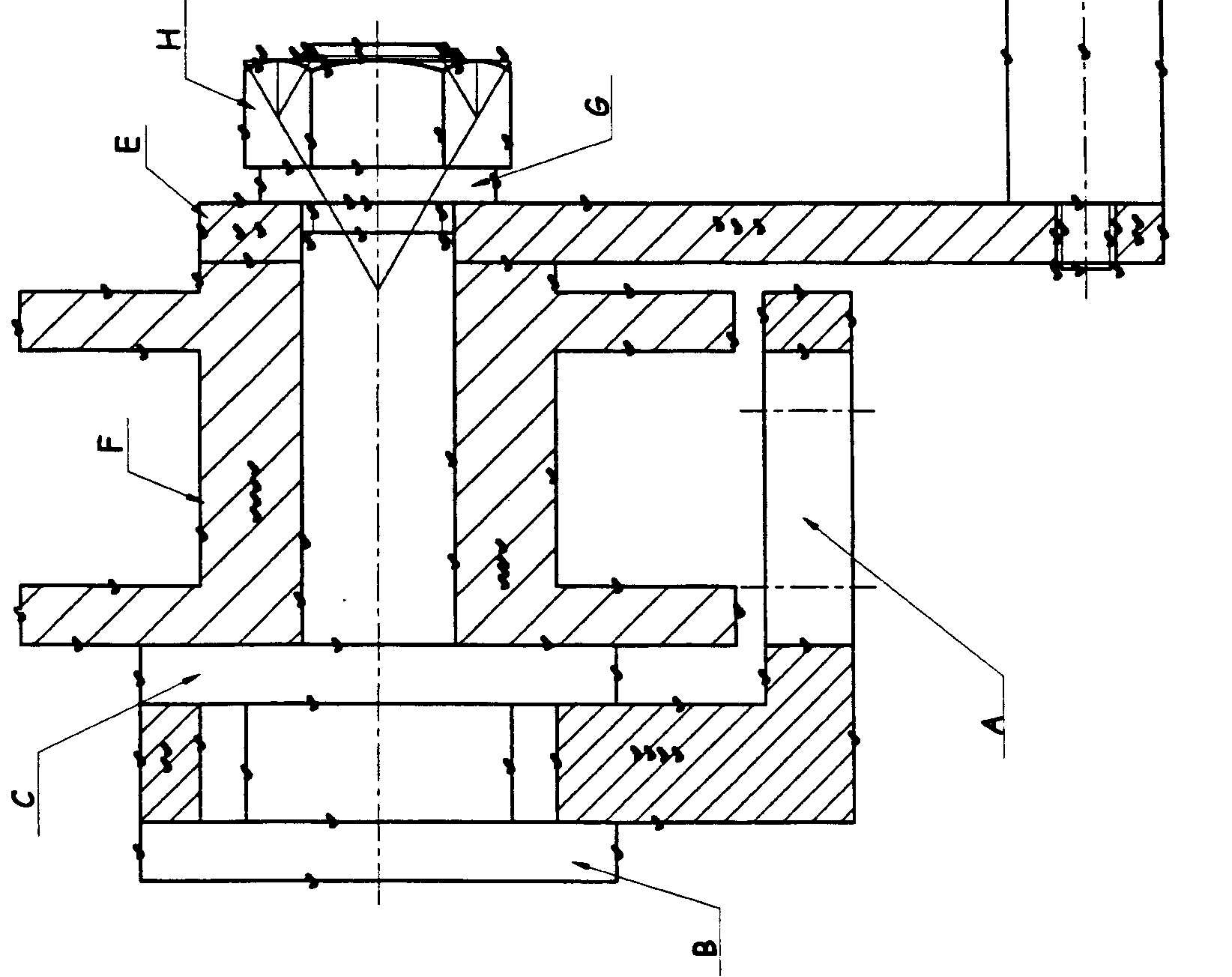
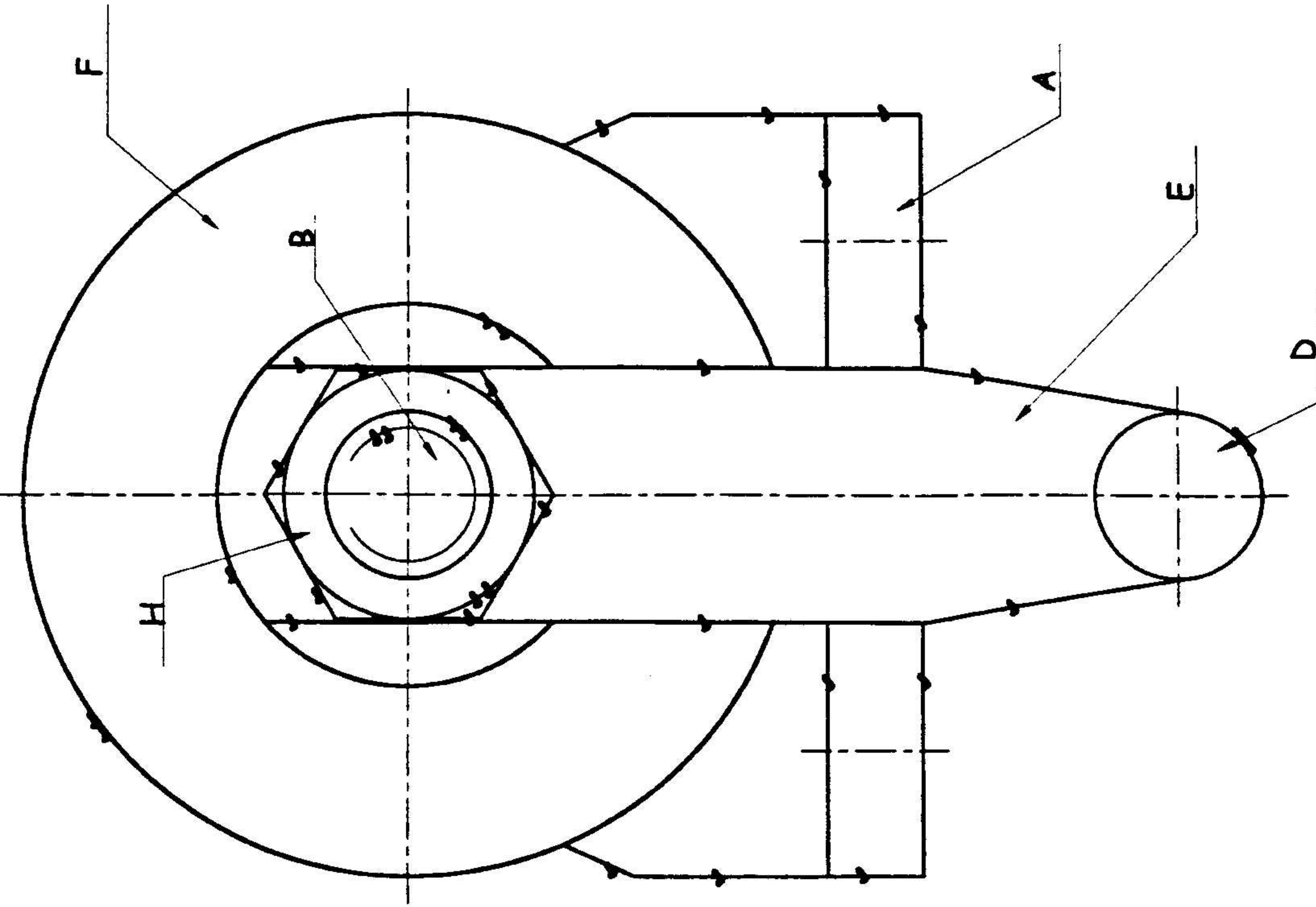
TEGNIÛSE TEKENE STANDAARDGRAAD  
TECHNICAL DRAWING STANDARD GRADE

SG 711 - 2/2R  
SG 711 - 2/2R

ANTWOORDVEL 3  
ANSWER SHEET 3



Centerlines of Pulley  
Middellyne van Katrol



FRONT VIEW  
VOORAANSIG

PART A	20
PART B	22
PART C	4
PART D	12
PART E	13
PART F	26
PART G	4
PART H	11
TOTAL / TOTAAL	112

RIGHT VIEW  
REGTERAANSIG

PART A	10
PART B	4
PART D	2
PART E	7
PART F	4
PART H	8
TOTAL / TOTAAL	35
112-35=147	147
147/3=49	49

ASSEMBLY  
SAMSTELLING

DIMENSIONS  
AFMETINGS

SYMBOL  
SIMBOOL

TITLE  
TITEL

NEATNESS  
NETHEID

TOTAL  
TOTAAL

67

5

2

3

6

70

TITLE BLOCK / TITELBLOK	SYMBOL / SIMBOOL
PULLEY ASSEMBLY SCALE 1:1	
KATROL SAMSTELLING SKAAL 1:1	

EXAM NUMBER:  
EKSAMENNOMMER:

<input type="text"/>	<input type="text"/>	<input type="text"/>	<input type="text"/>	<input type="text"/>	<input type="text"/>	<input type="text"/>	<input type="text"/>	<input type="text"/>	<input type="text"/>
----------------------	----------------------	----------------------	----------------------	----------------------	----------------------	----------------------	----------------------	----------------------	----------------------

TEGNIESE TEKENE STANDAARDGRAAD  
TECHNICAL DRAWING STANDARD GRADE

SG 711 - 2/2R  
SG 711 - 2/2R

ANTWOORDVEL 4  
ANSWER SHEET 4