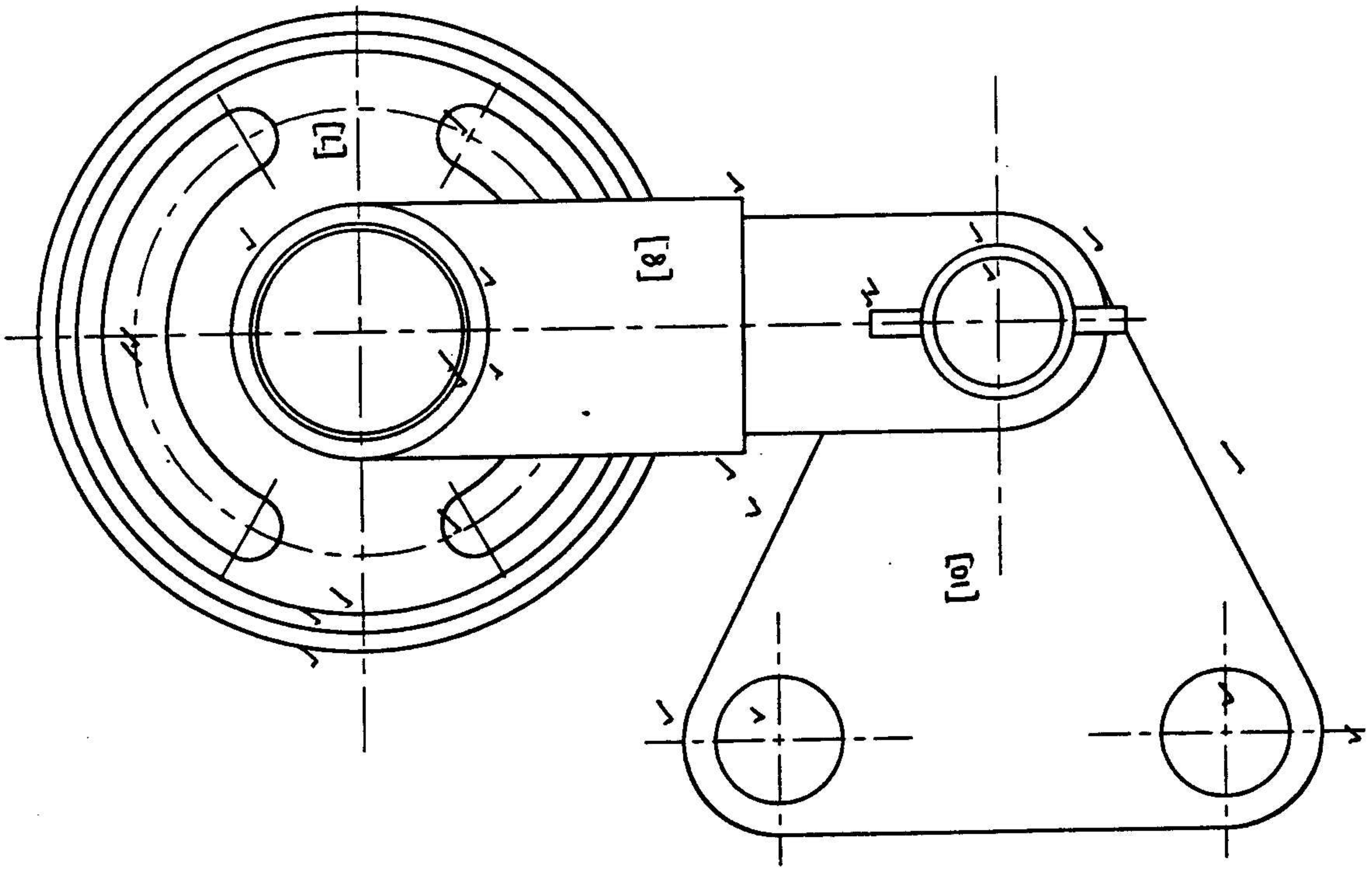
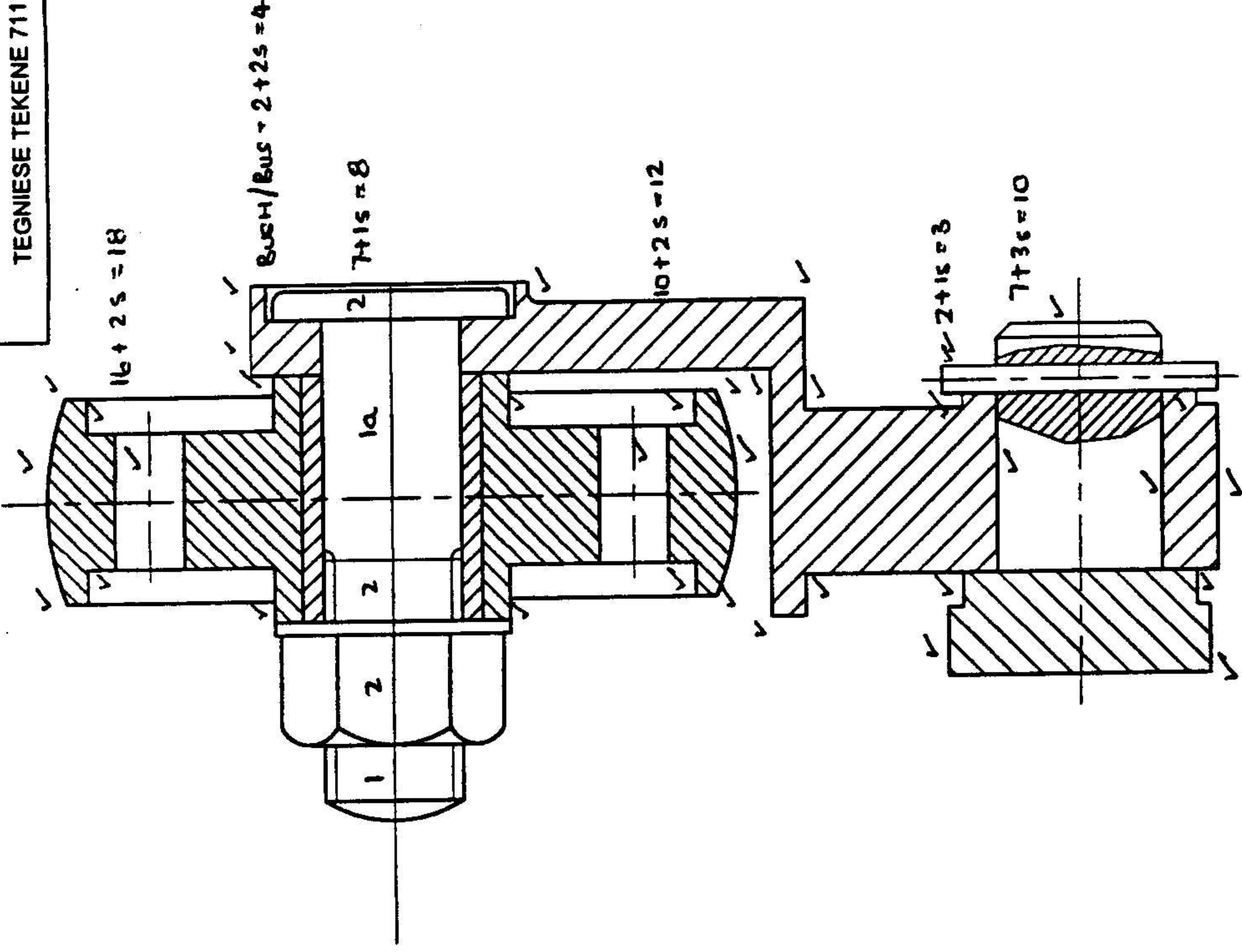


TECHNICAL DRAWING 7111/2 HIGHER GRADE

TEGNIJSE TEKENE 7111/2 HOER GRAAD



EXAMINATION NUMBER

<input type="checkbox"/>	<input type="checkbox"/>	<input type="checkbox"/>	<input type="checkbox"/>	<input type="checkbox"/>	<input type="checkbox"/>	<input type="checkbox"/>	<input type="checkbox"/>	<input type="checkbox"/>	<input type="checkbox"/>
--------------------------	--------------------------	--------------------------	--------------------------	--------------------------	--------------------------	--------------------------	--------------------------	--------------------------	--------------------------

EXAMINATION NUMBER