

**POSSIBLE ANSWERS FOR /
MOONTLIKE ANTWOORDE VIR :**

EXAMINATION NO. EKSAMENNOMMER	
CENTRE NUMBER SENTRUMNOMMER	

**METALWORK SG
METAALWERK SG**

**FIRST PAPER
EERSTE VRAESTEL**

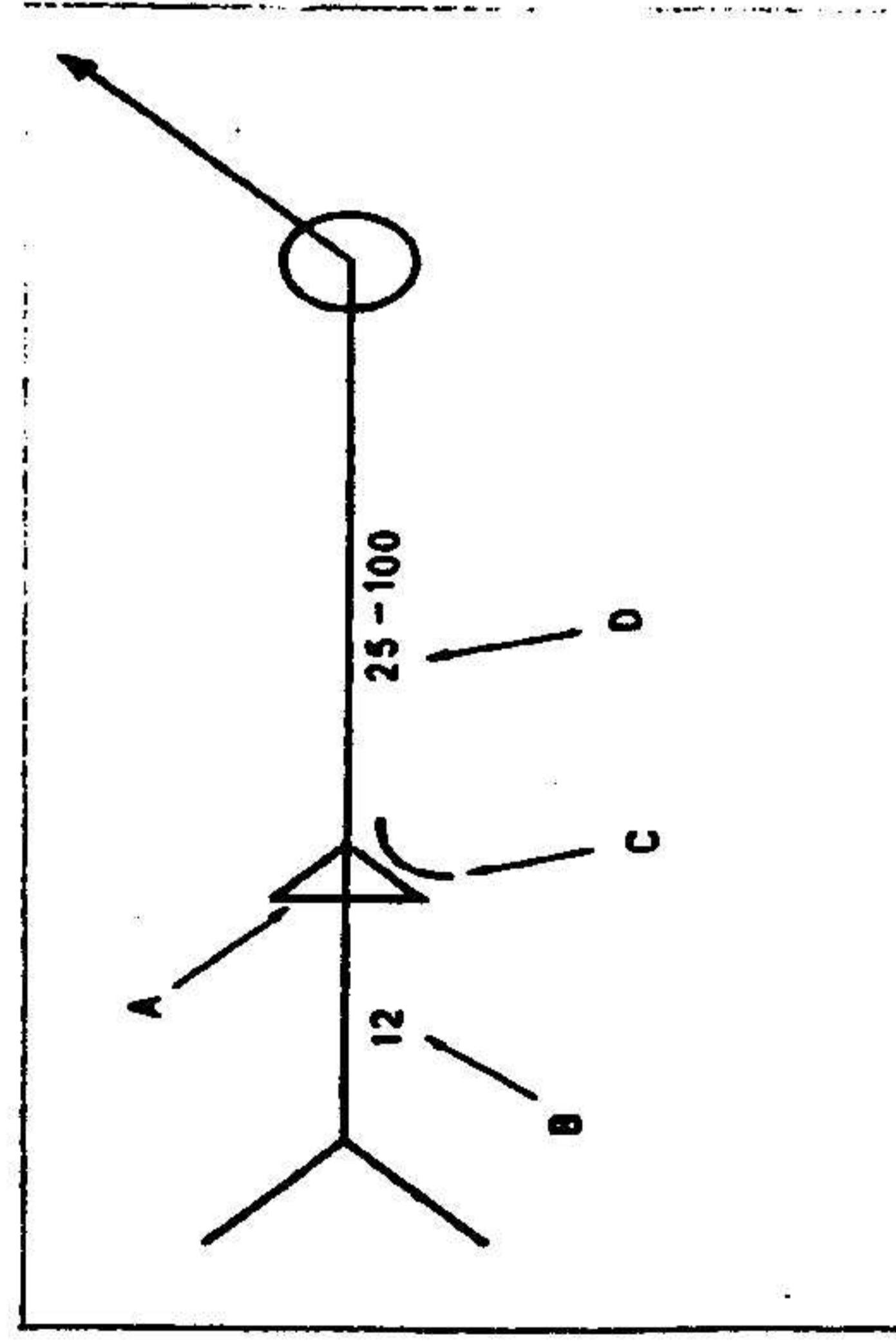
**DRAWING
TEKENE**

ANSWER SHEETS / ANTWOORDBLAAIE

QUESTION VRAAG	MARKS PUNTE
1	
2	
3	
4	
5	

--

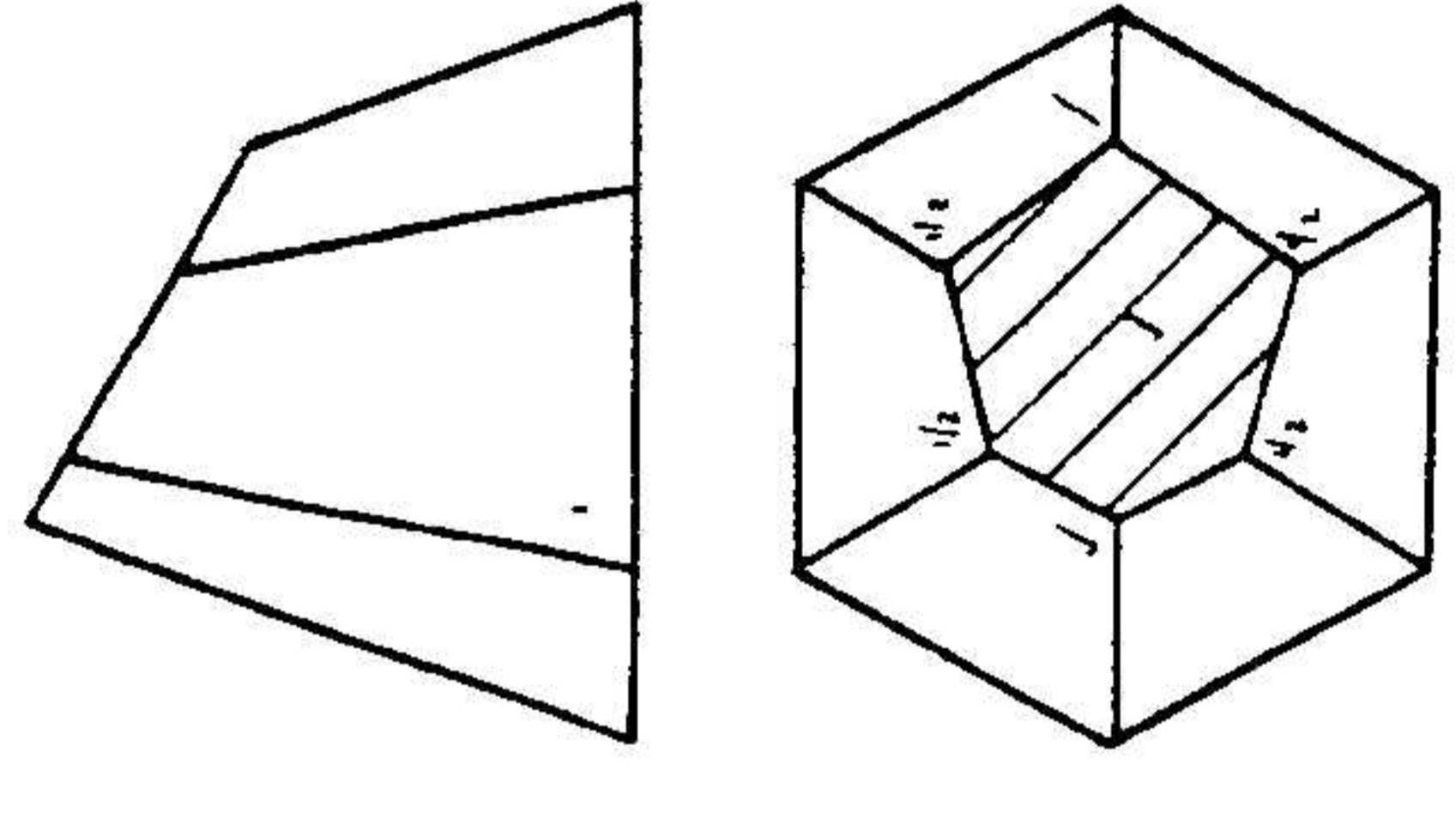
1.1



A	SIZE OF WELD / GROOTTE VAN SWEIS
B	WELD SYMBOL / SWEISLASSYMBOL
C	FINISHED SYMBOL / AFWEKINGSSYMBOL
D	WELD LENGTH / LENGTE VAN SWEIS

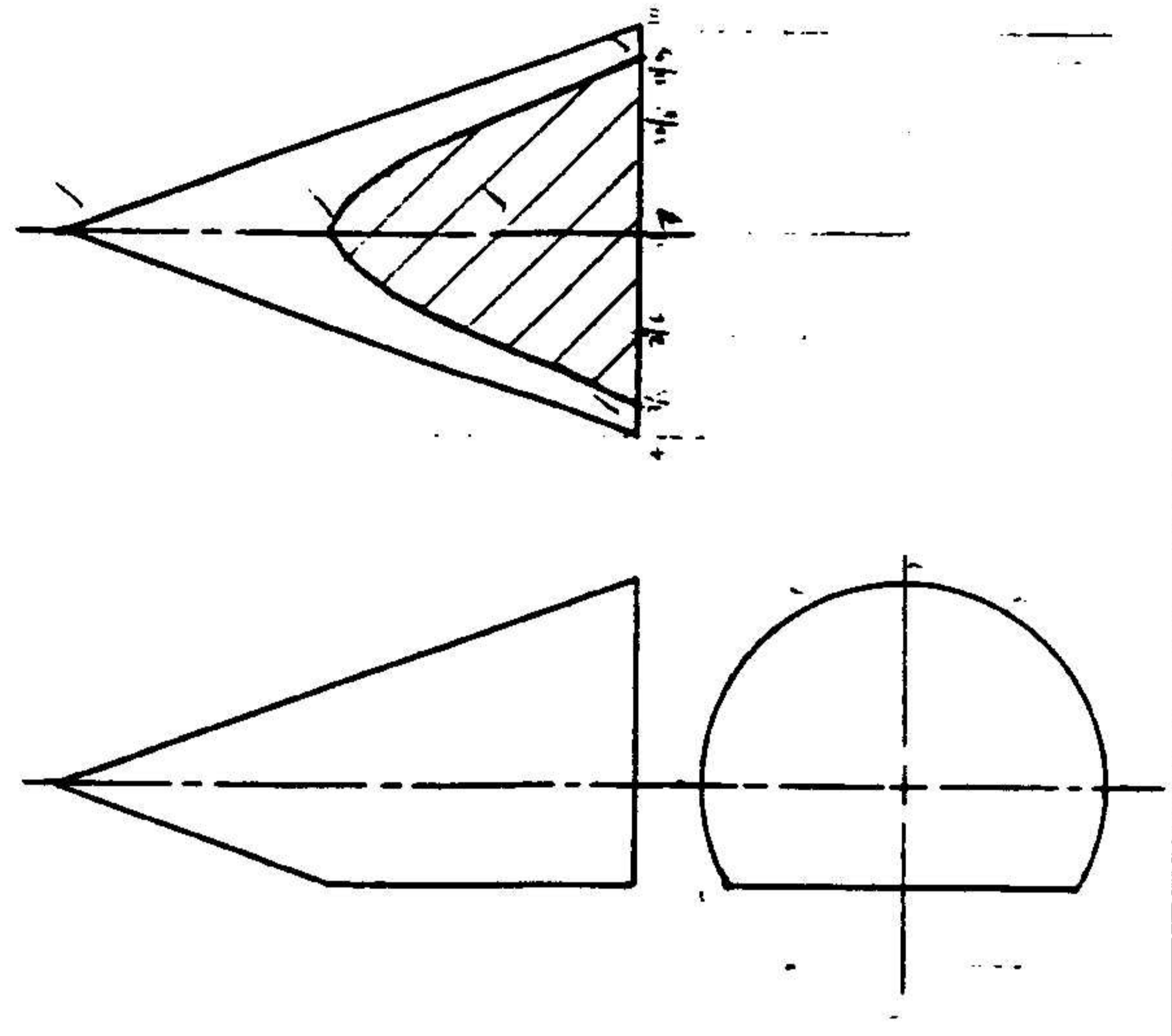
(4)

1.2



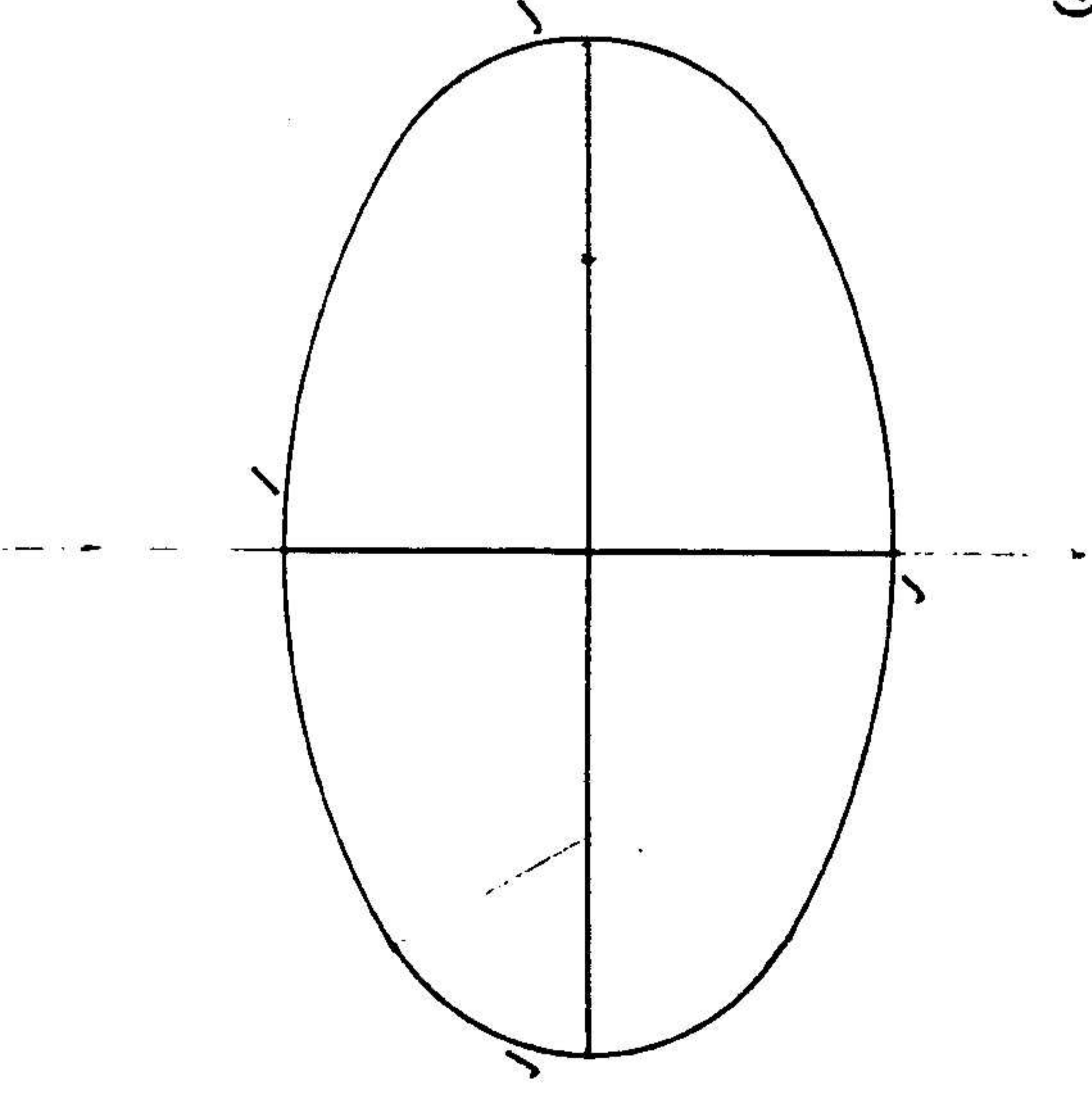
(5)

1.3



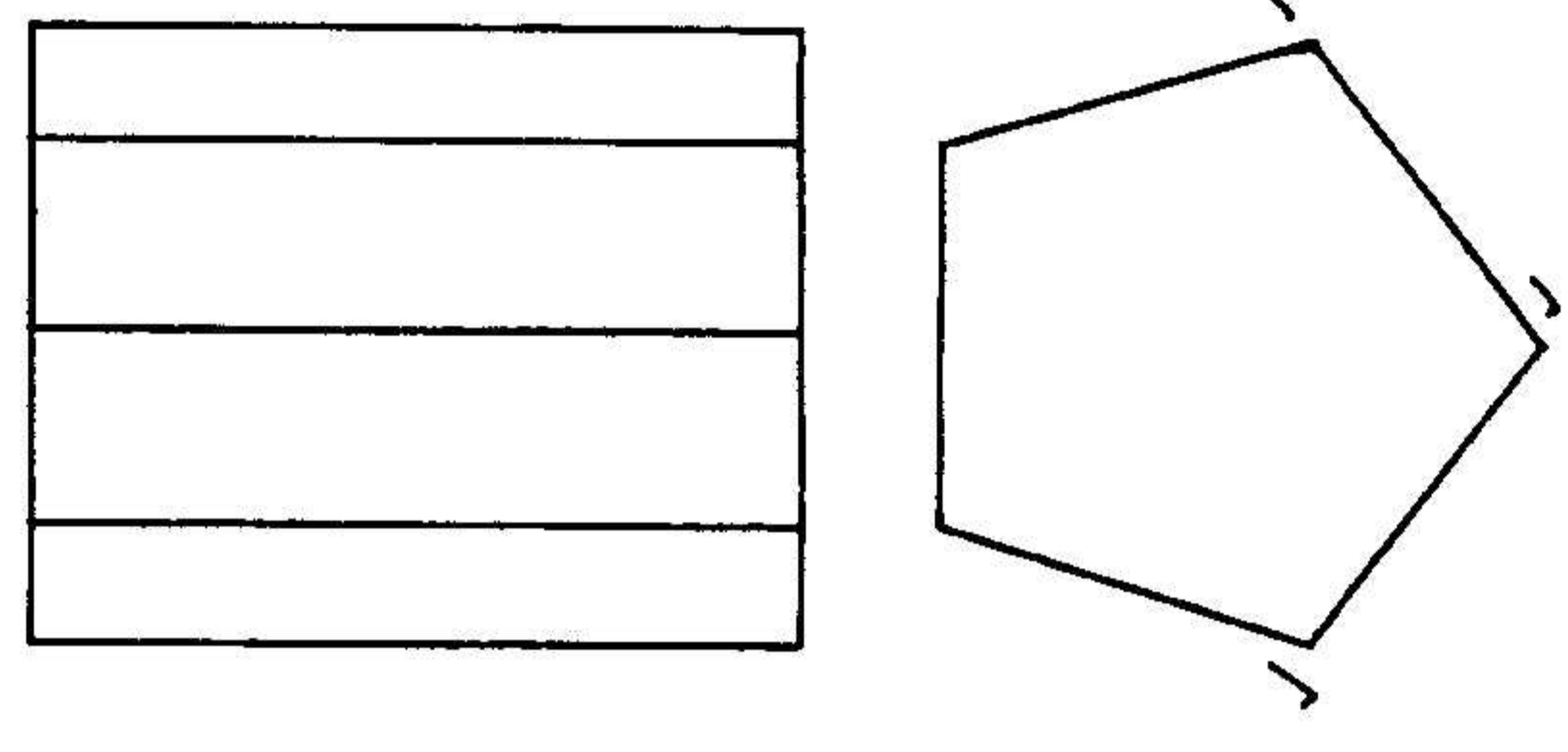
(5)

1.4



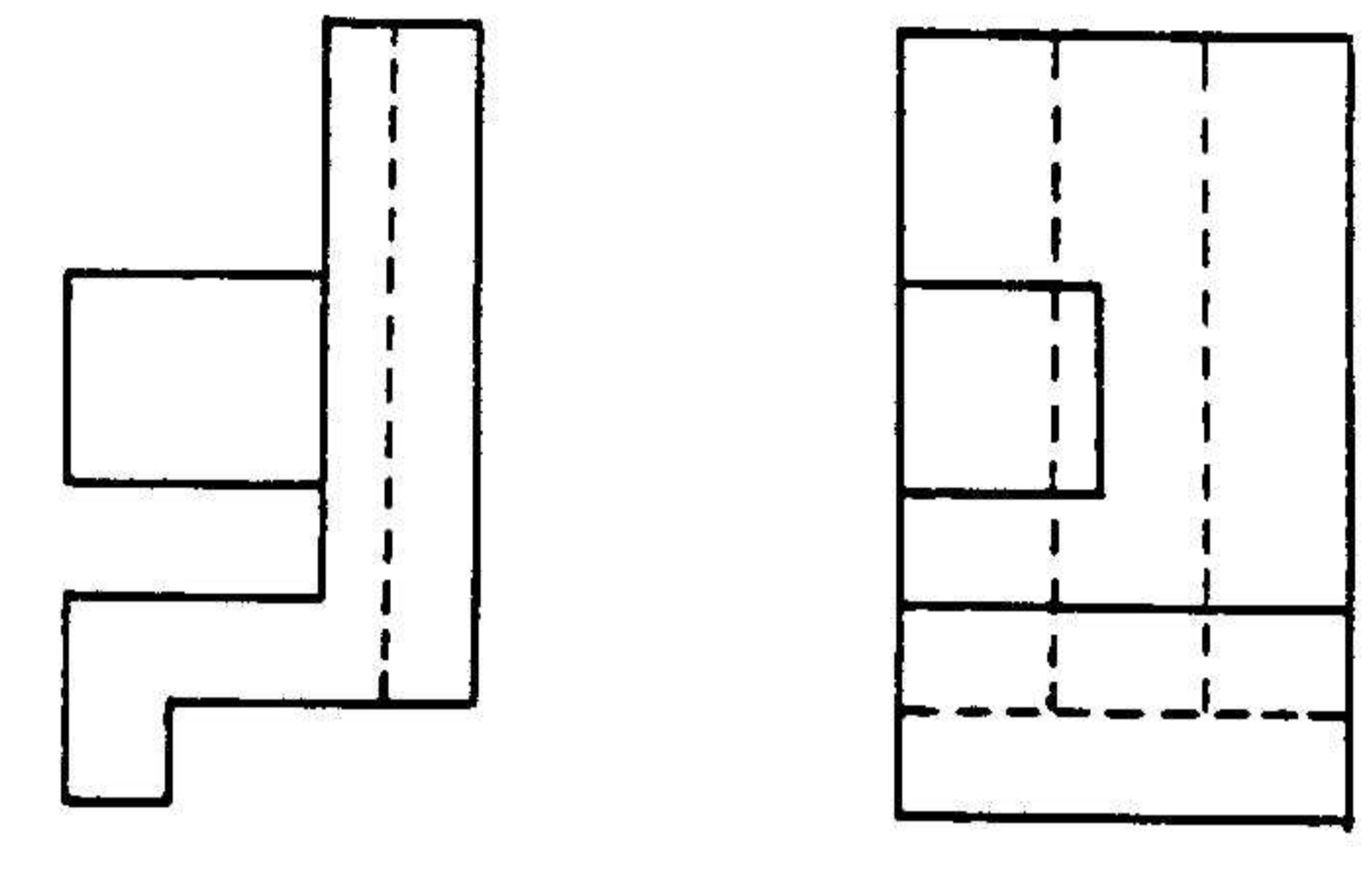
(4)

1.5



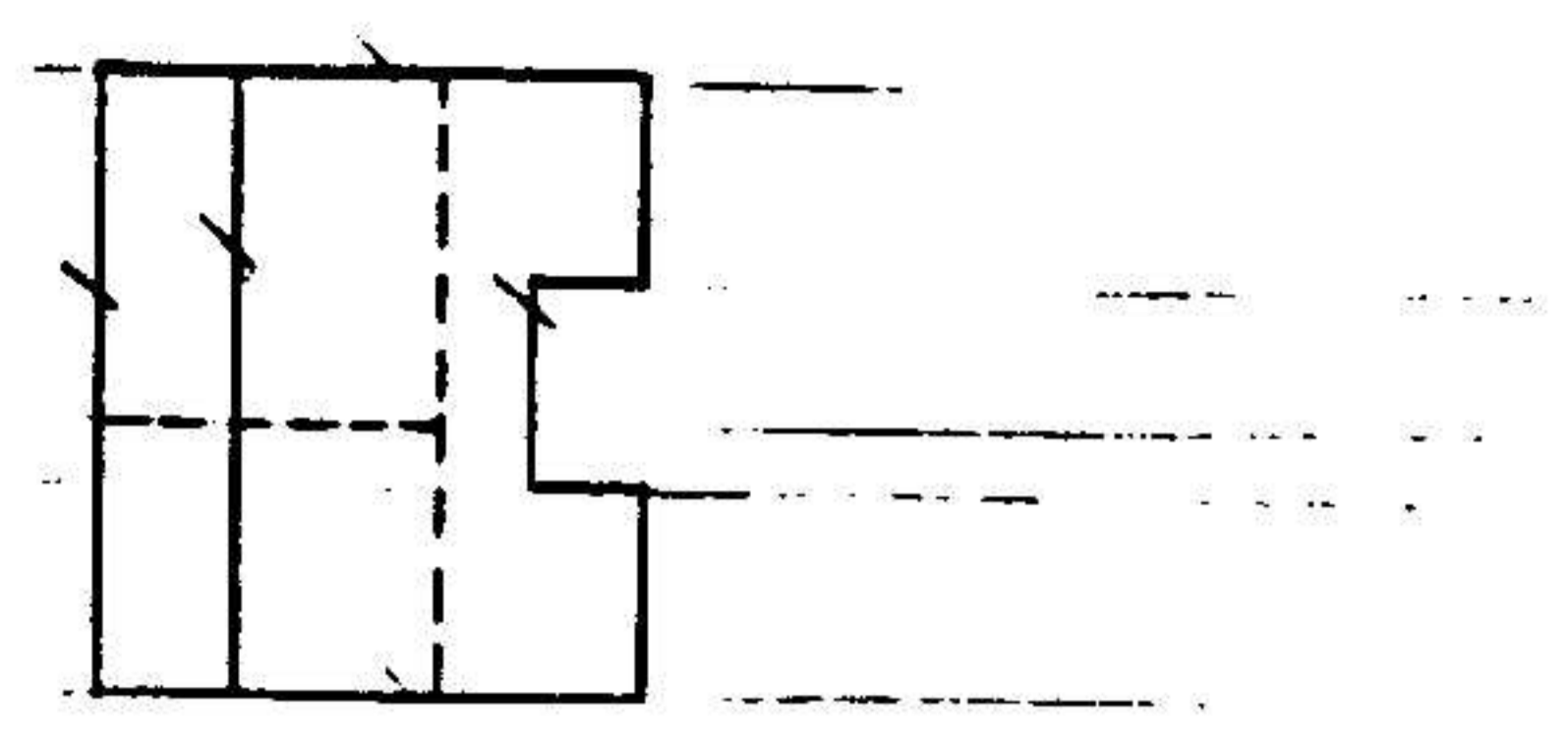
(3)

1.6



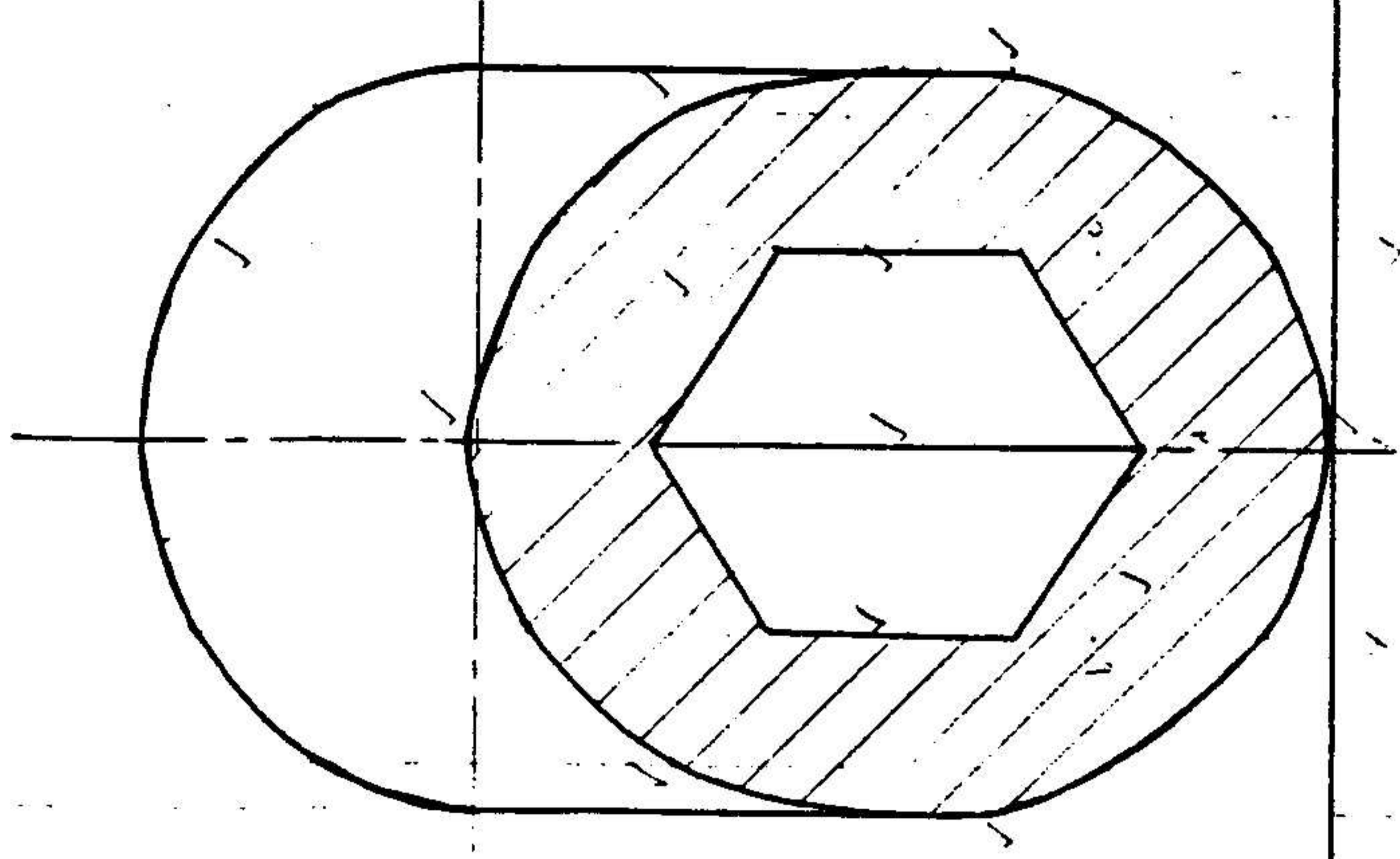
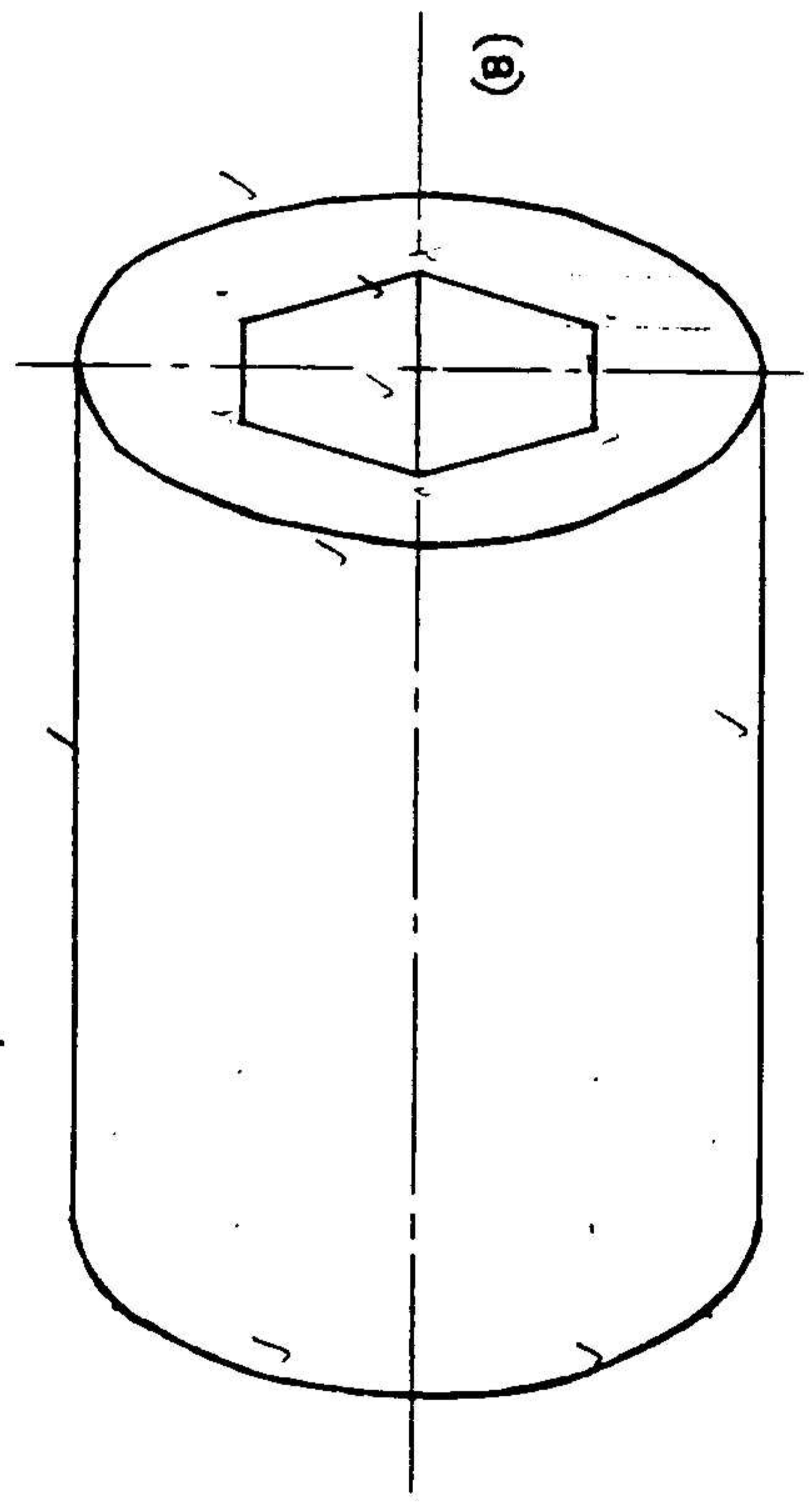
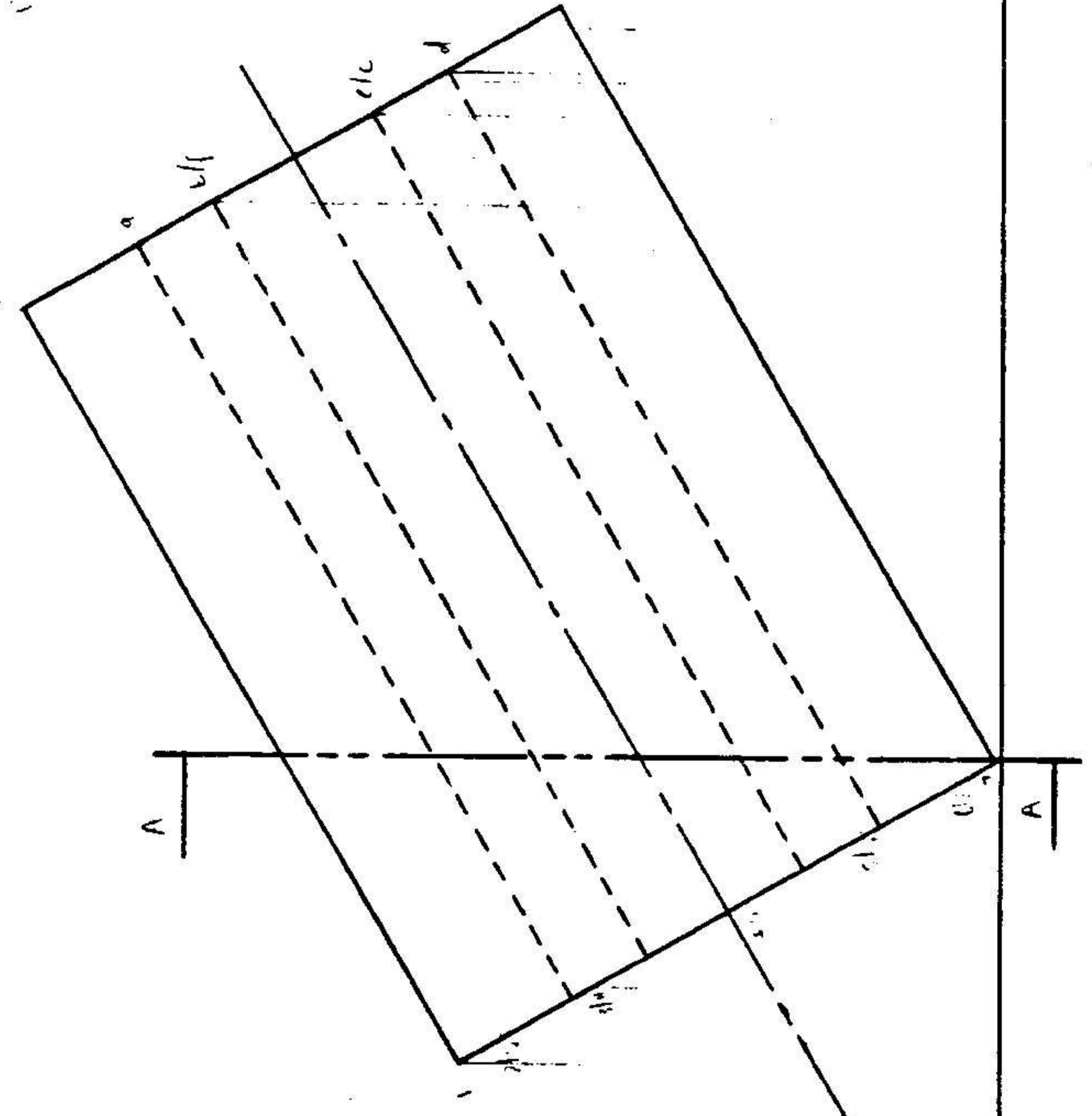
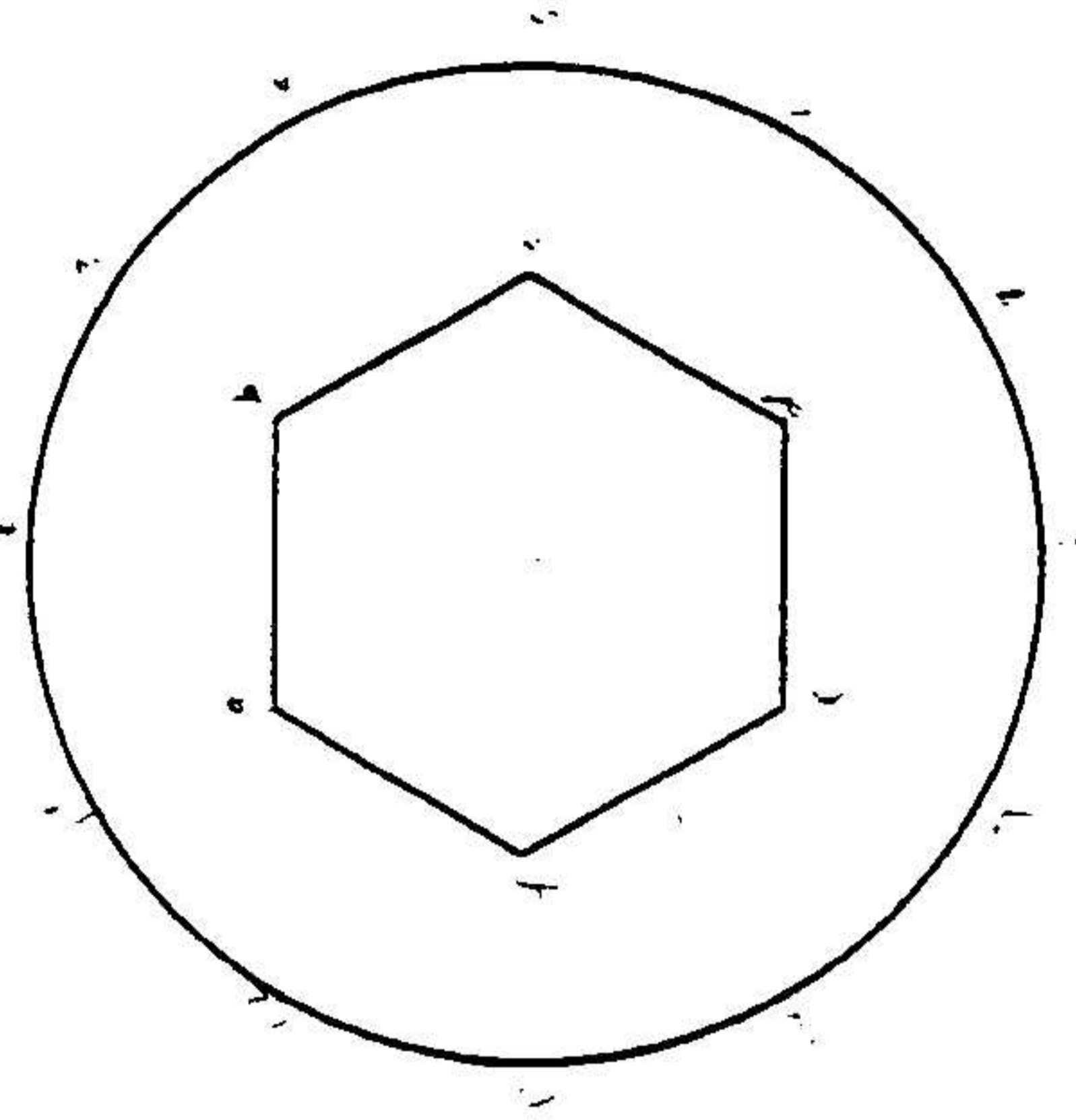
(4)

2



[25]

Q.2



(12)

3

[20]

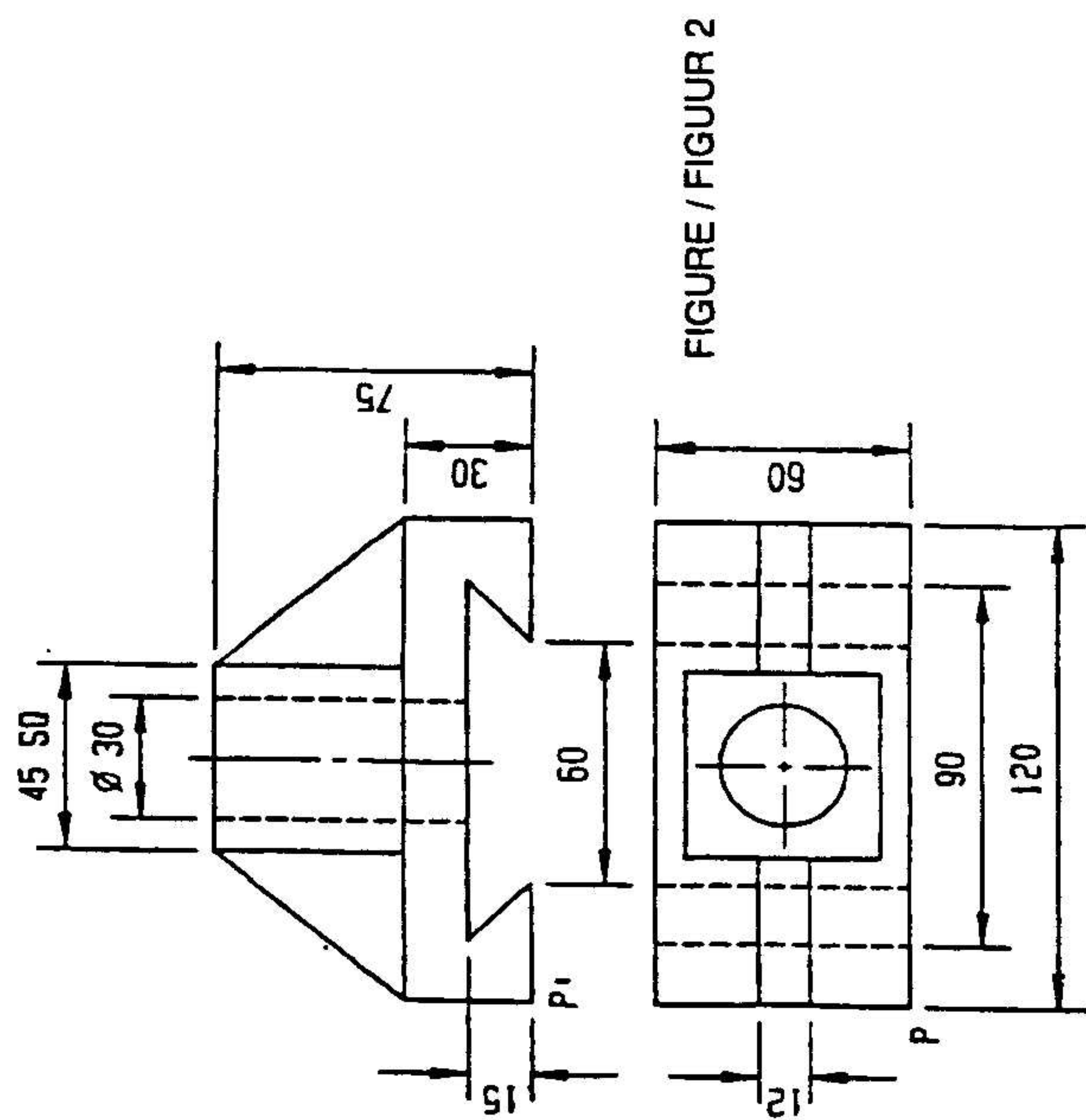
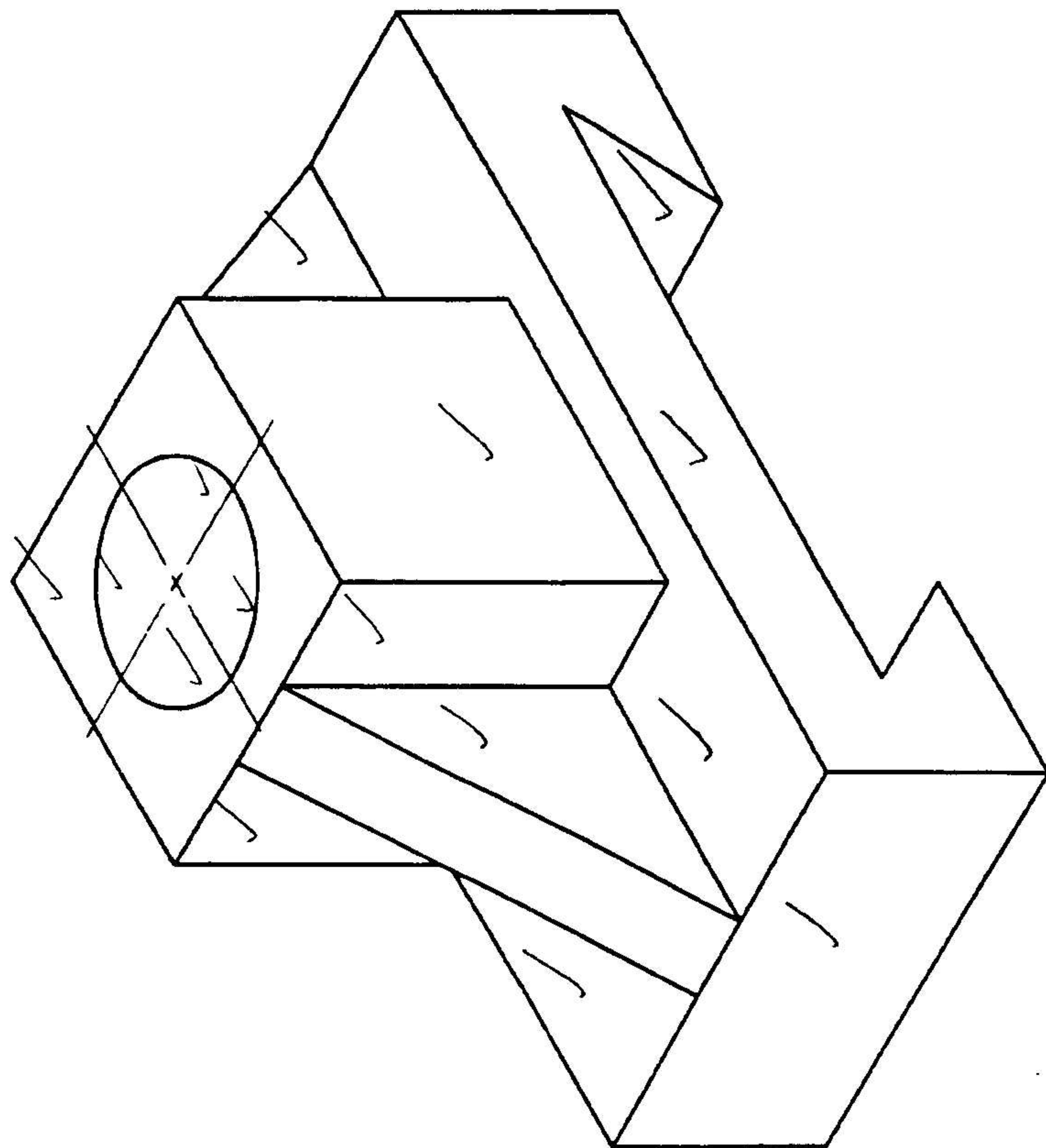
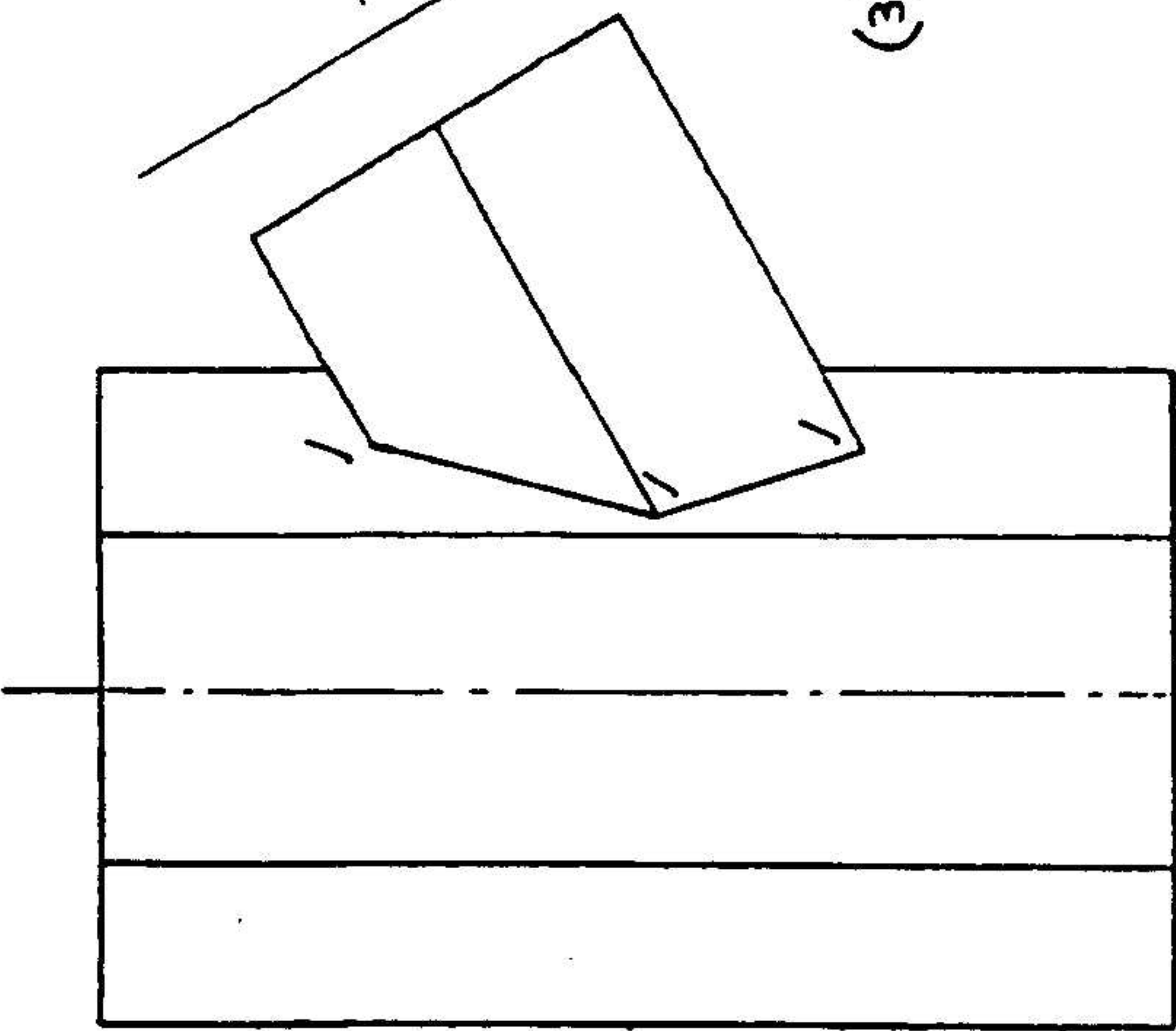
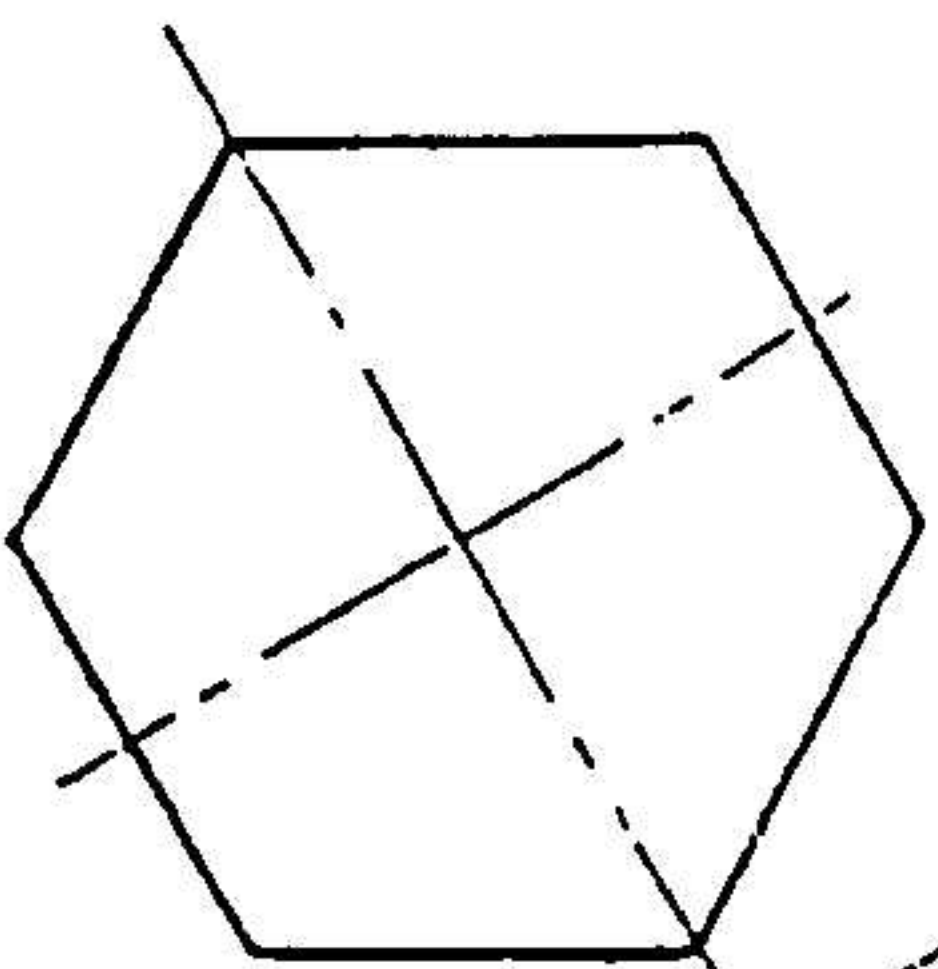
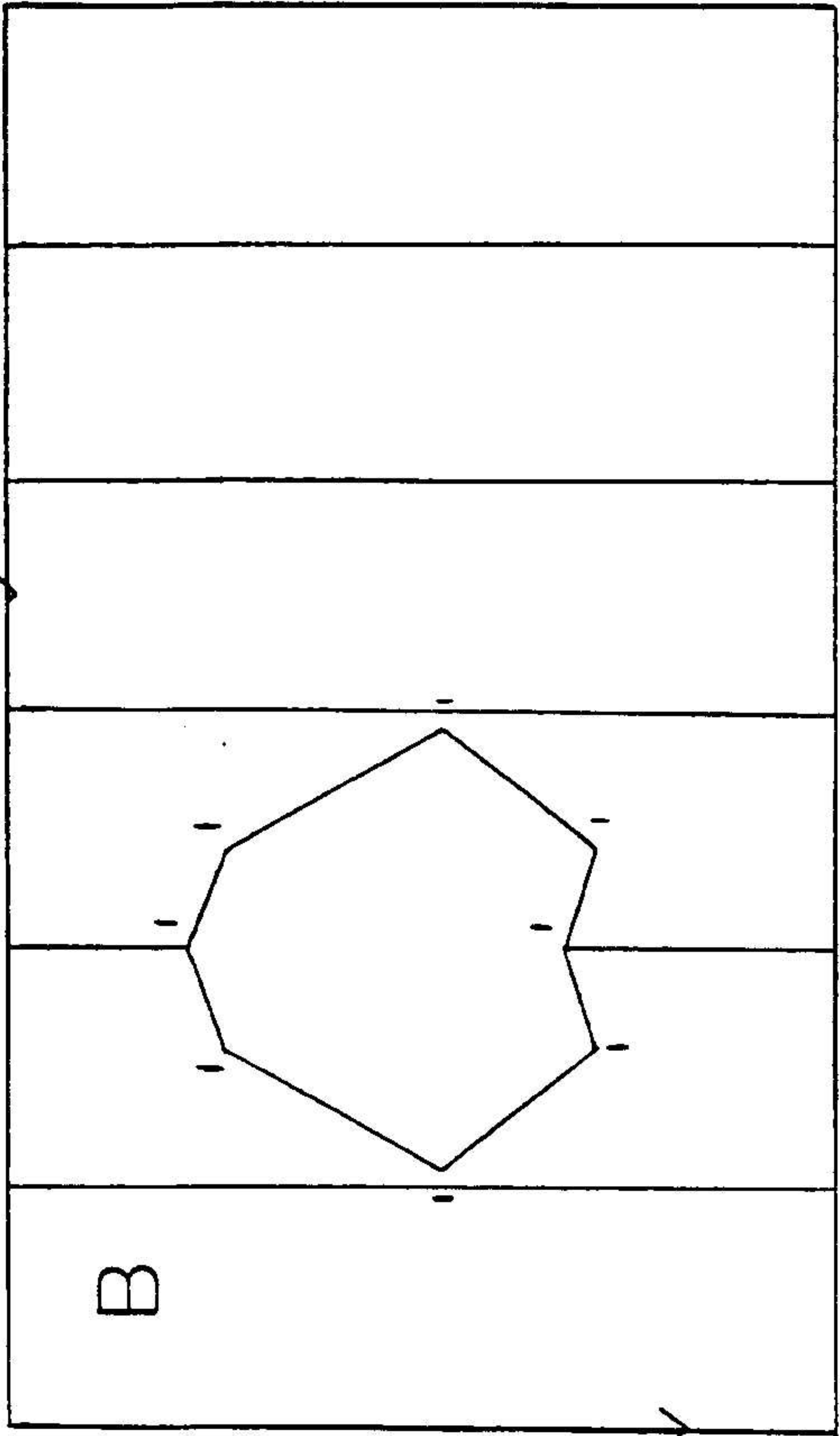


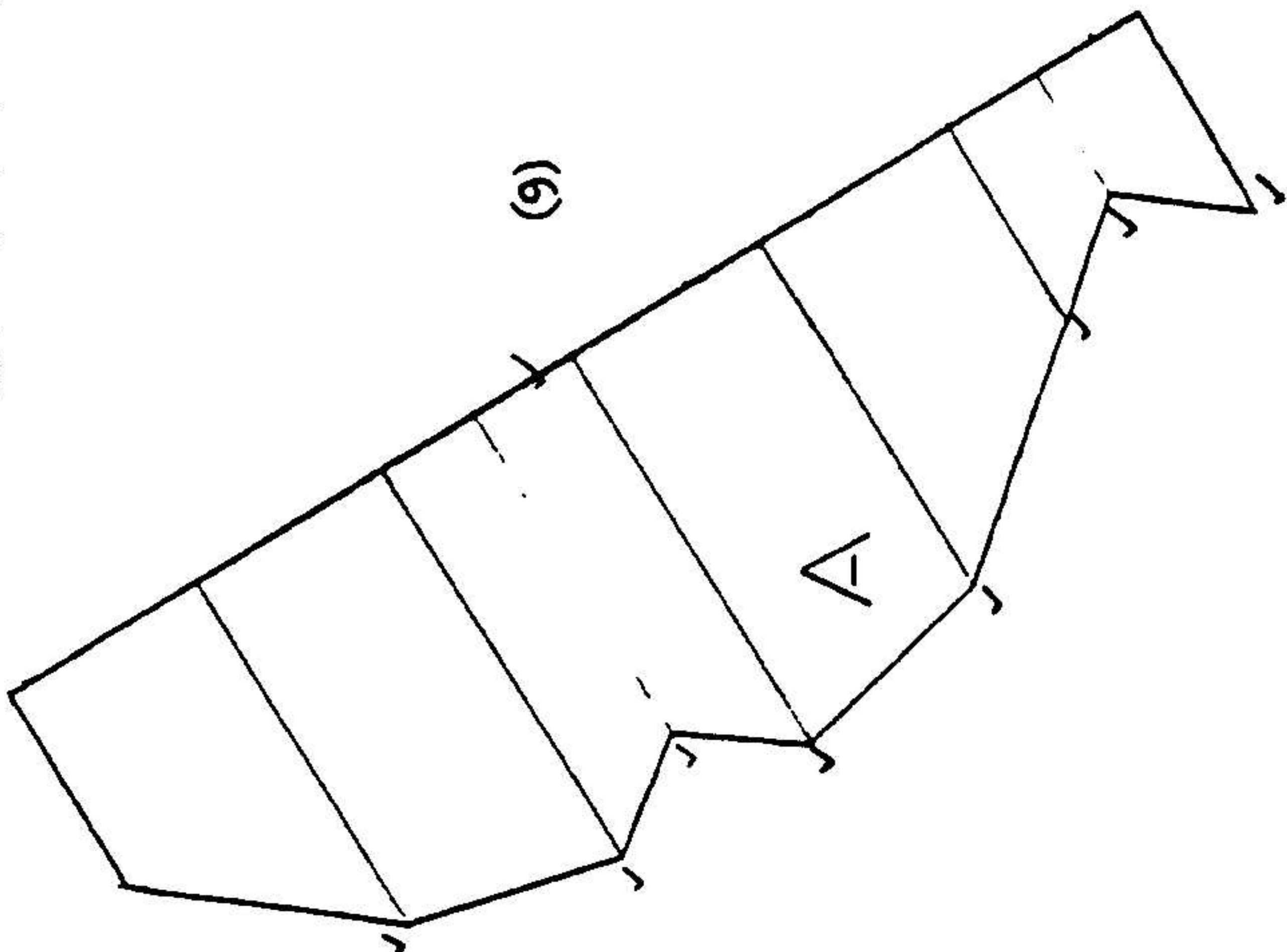
DIAGRAM SHEET 1
DIAGRAMVEL 1



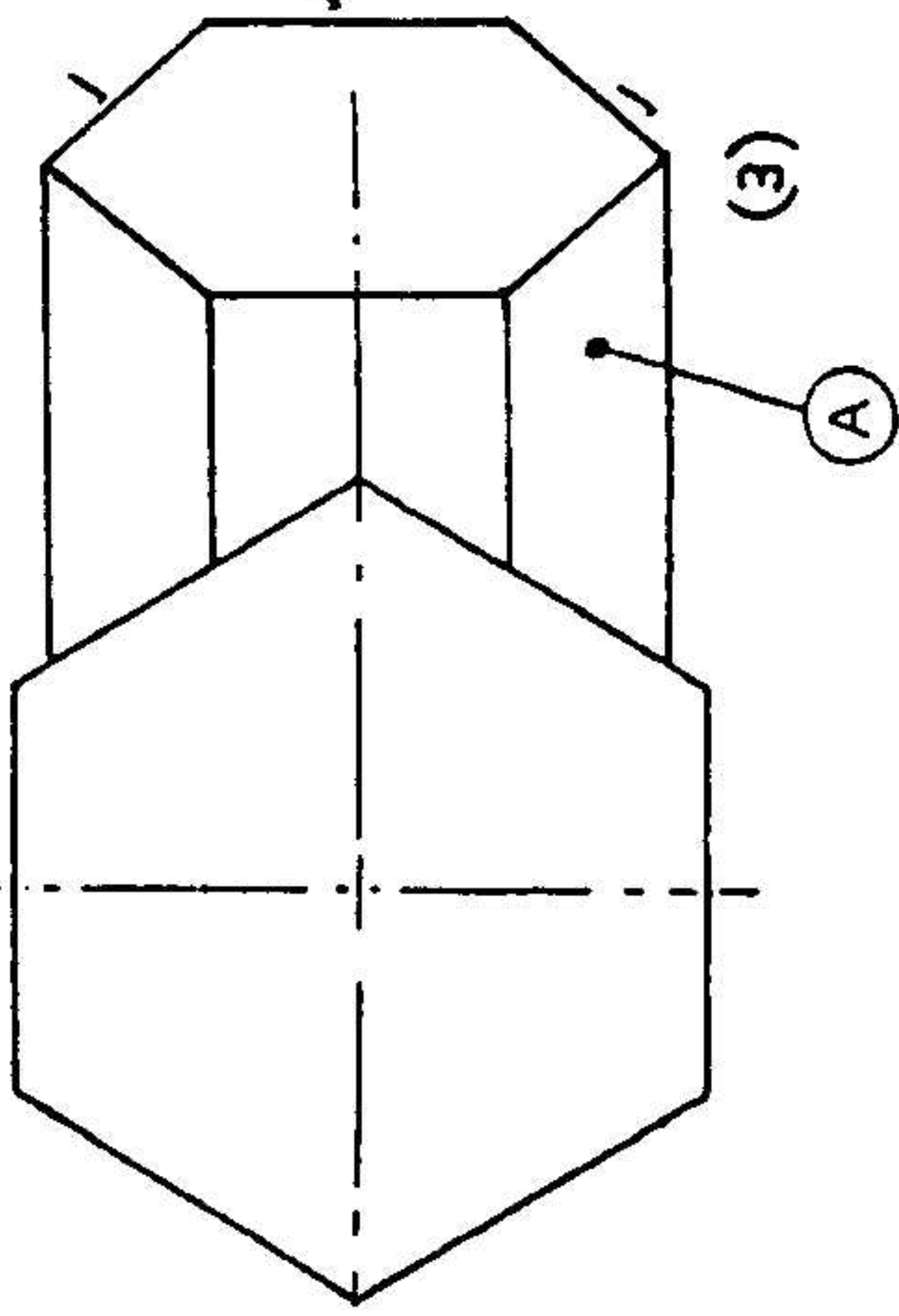
(10)



(3)



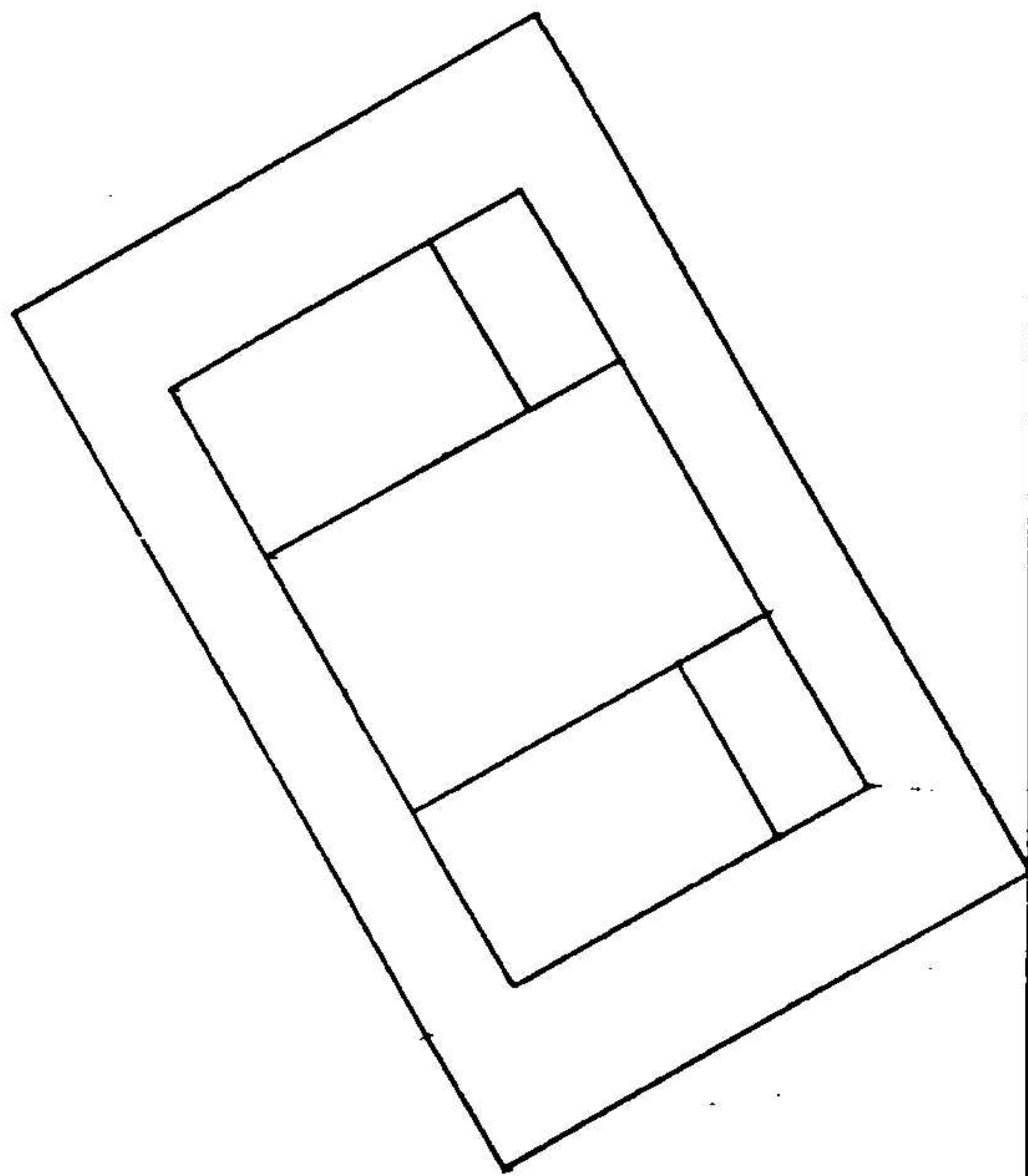
(9)



(3)

(A)

Q5



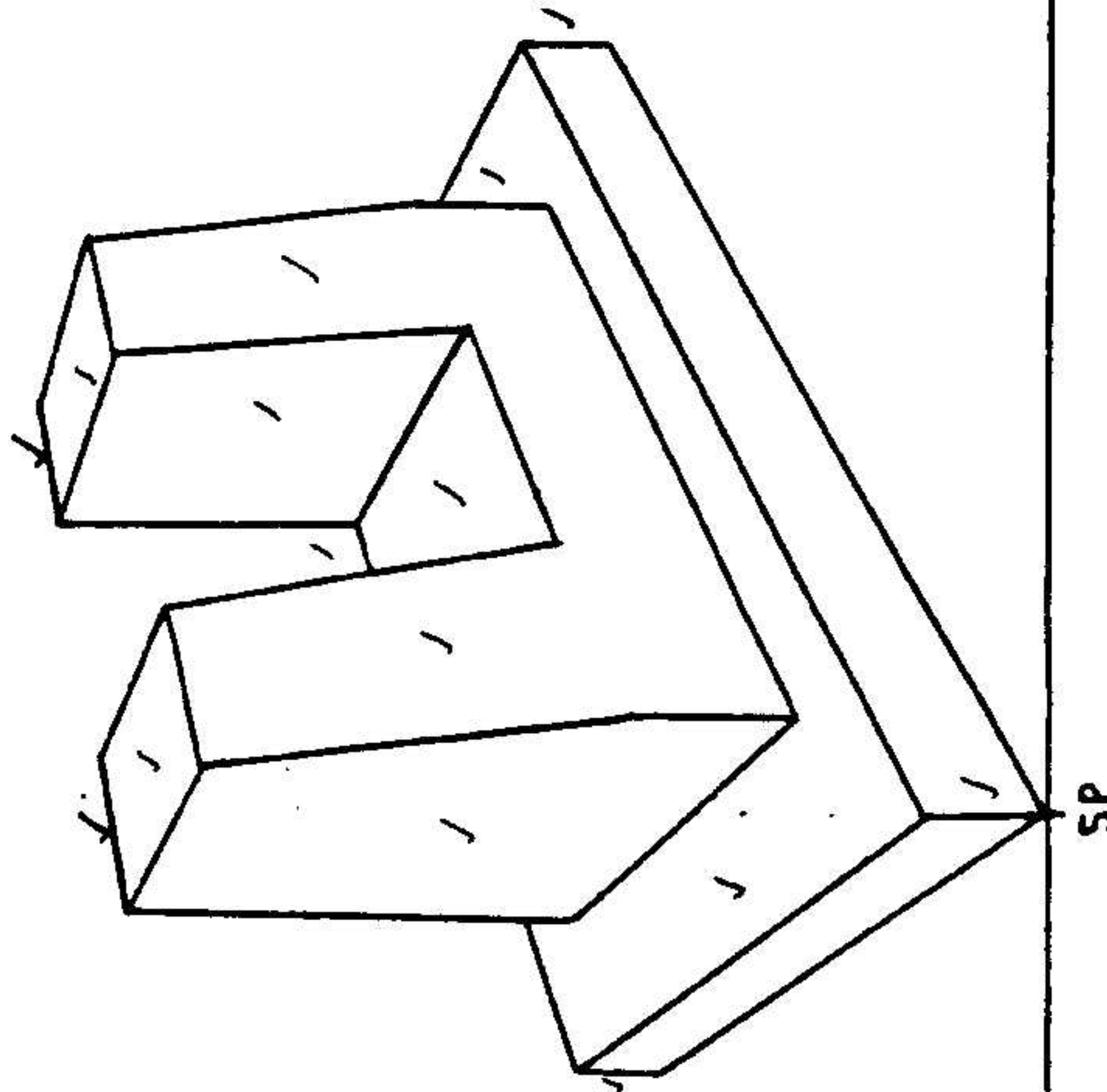
P.P PV

HL

LVP

RVP

6



(S1)

SP

GL GV