

GAUTENG DEPARTMENT OF EDUCATION
SENIOR CERTIFICATE EXAMINATION

OCTOBER / NOVEMBER 2005
OKTOBER / NOVEMBER 2005

FARM MECHANICS SG
(First Paper: Drawing)

TIME: 2 hours

MARKS: 75

REQUIREMENTS:

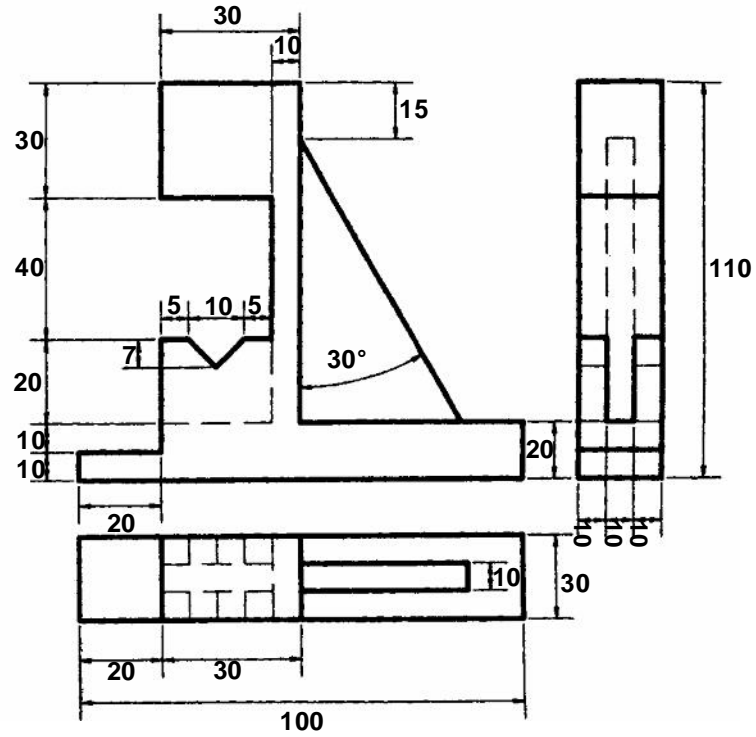
- Answer book with A3 drawing paper.

INSTRUCTIONS:

- Answer ALL the questions.
 - Answer Question 1 on the front of the drawing paper and Question 2 on the reverse side.
 - Provide a margin and title block for Question 1 only.
 - Write your examination number on the drawing paper.
 - Number your answers clearly.
 - Use a scale of 1:1.
 - Approximate all dimensions not given.
 - All construction and projection lines must be shown.
-
-

QUESTION 1

The figure below shows three orthographic views of a model. Draw a neat isometric view of the model. Where applicable all constructions and auxiliary views must be shown.



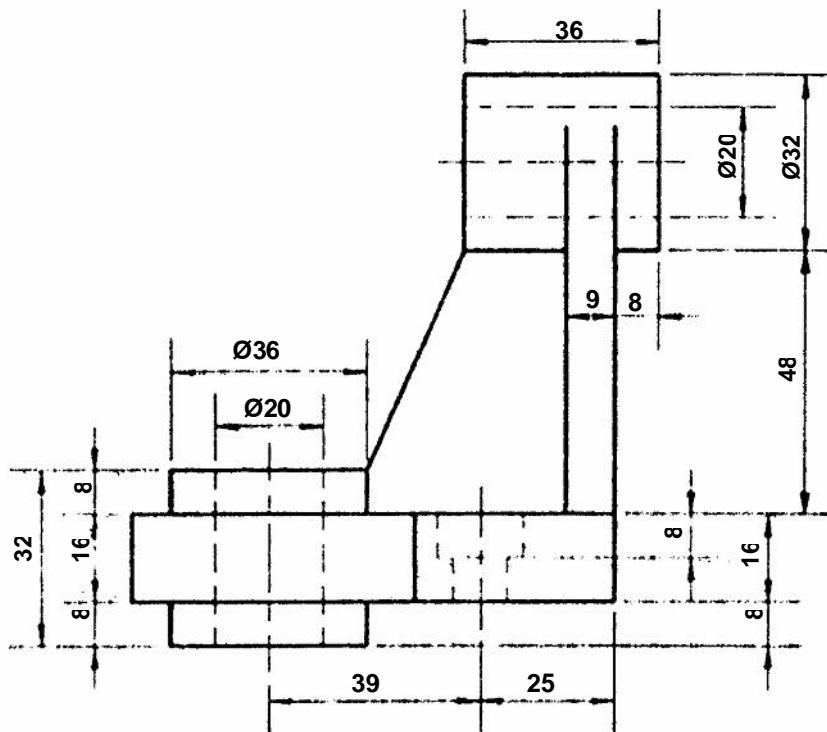
[35]

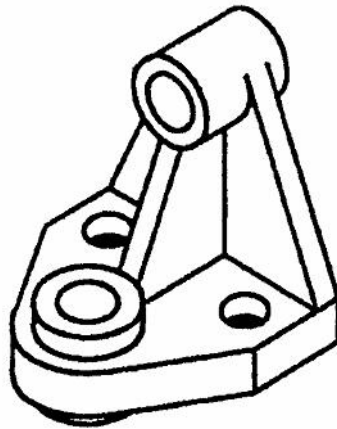
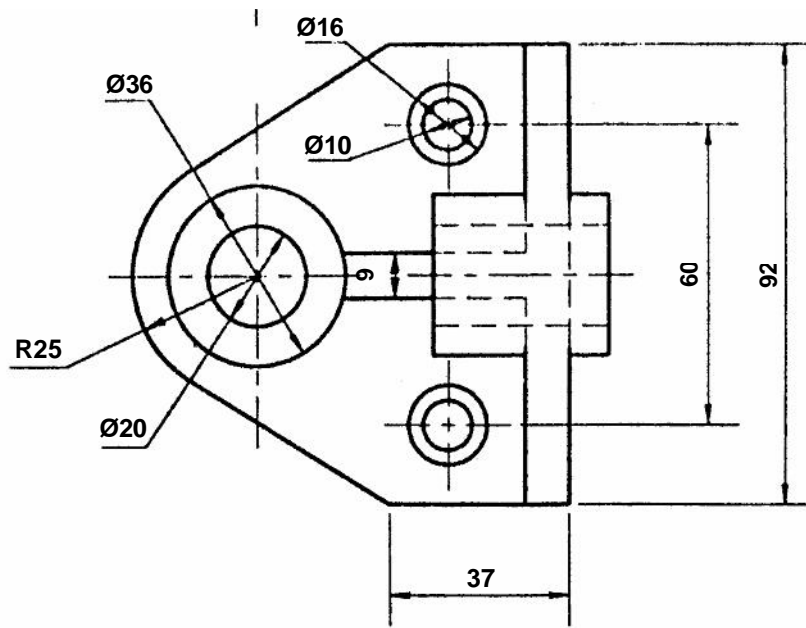
QUESTION 2

The figure below shows the front view and top view of a SUPPORT in first-angle orthographic projection. Draw to a scale of 1:1 and in first-angle orthographic projection, the following views of the SUPPORT.

- (a) The front view
- (b) The top view
- (c) The left side view

Show the title, scale and projection symbol in the title block





[40]

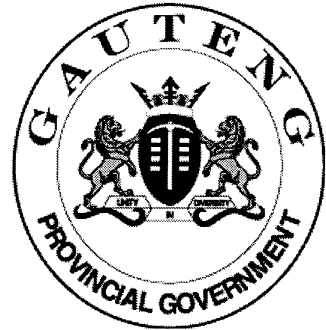
TOTAL: 75

END

CANDIDATE'S NUMBER / KANDIDAAT SE NOMMER

--	--	--	--	--	--	--	--	--	--

SENIOR CERTIFICATE EXAMINATION
SENIORSERTIFIKAAT-EKSAMEN



OCTOBER / NOVEMBER
OKTOBER / NOVEMBER

2005

FARM MECHANICS
PLAASWERKTUIGKUNDE

First Paper: Drawing
Eerste Vraestel: Tekene

SG

804-2/x

ANSWER BOOK
ANTWOORDBOEK

3 pages/bladsye

QUESTION VRAAG	MARKS PUNTE	INITIAL PARAFEER
1	35	
2	40	
TOTAAL / TOTAL	75	



