

GAUTENG DEPARTMENT OF EDUCATION

SENIOR CERTIFICATE EXAMINATION

**FARM MECHANICS SG
(First Paper: Drawing)**

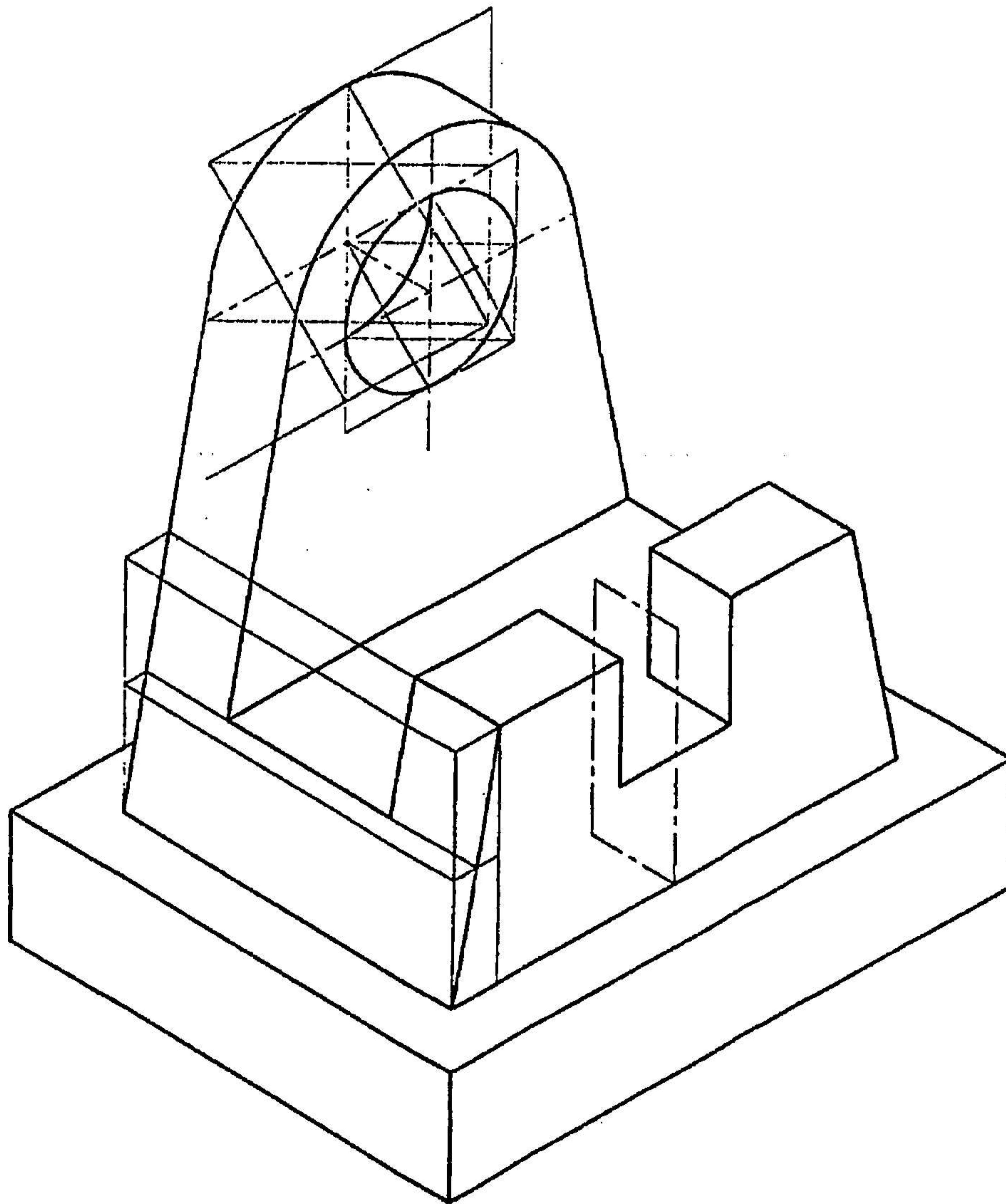
QUESTION 1

Isometric circle (4 per circle) (12)

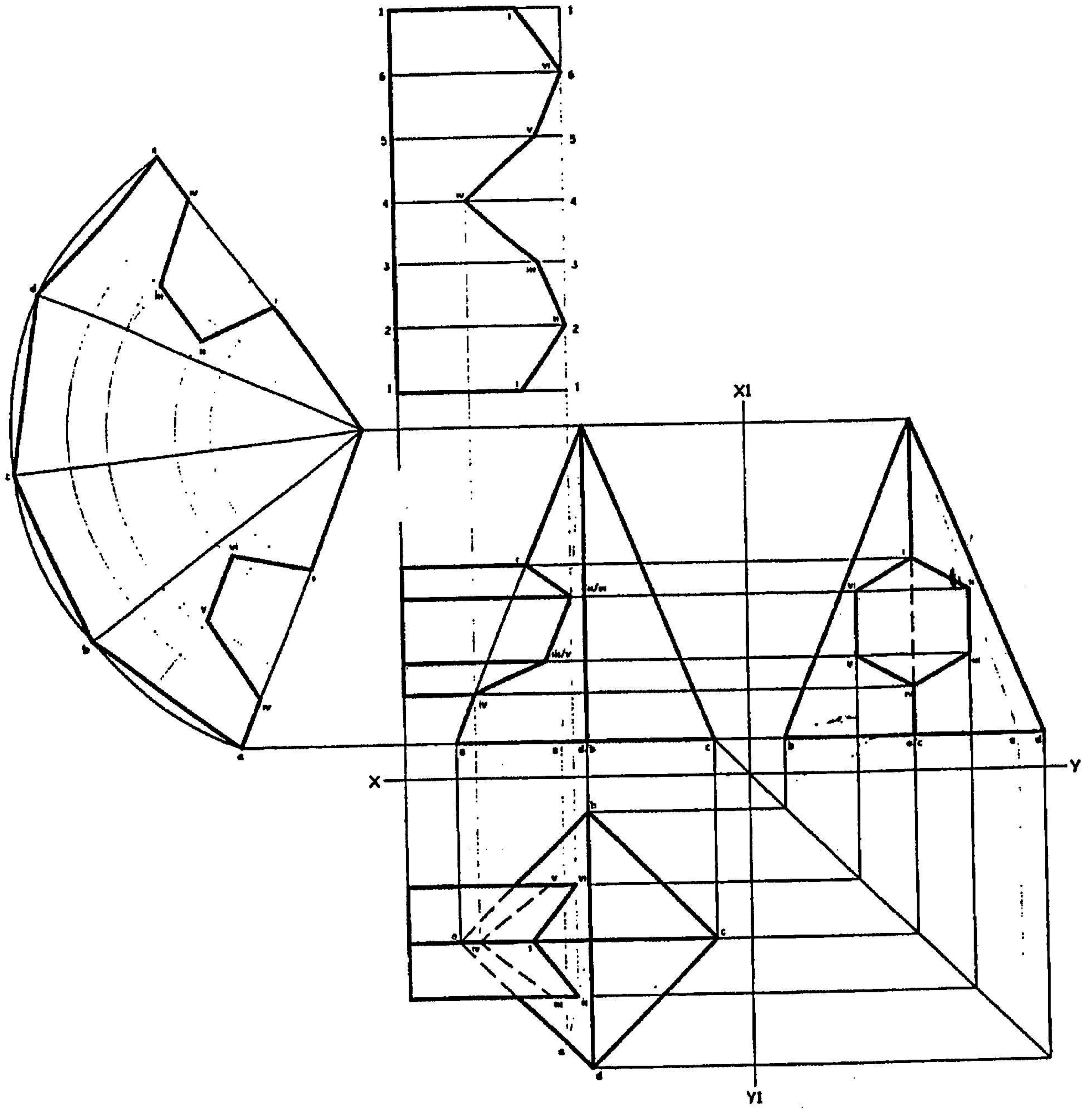
Drawing (Isometric) 2 per section (18)

Neat (2)

Linework (3)



QUESTION 2



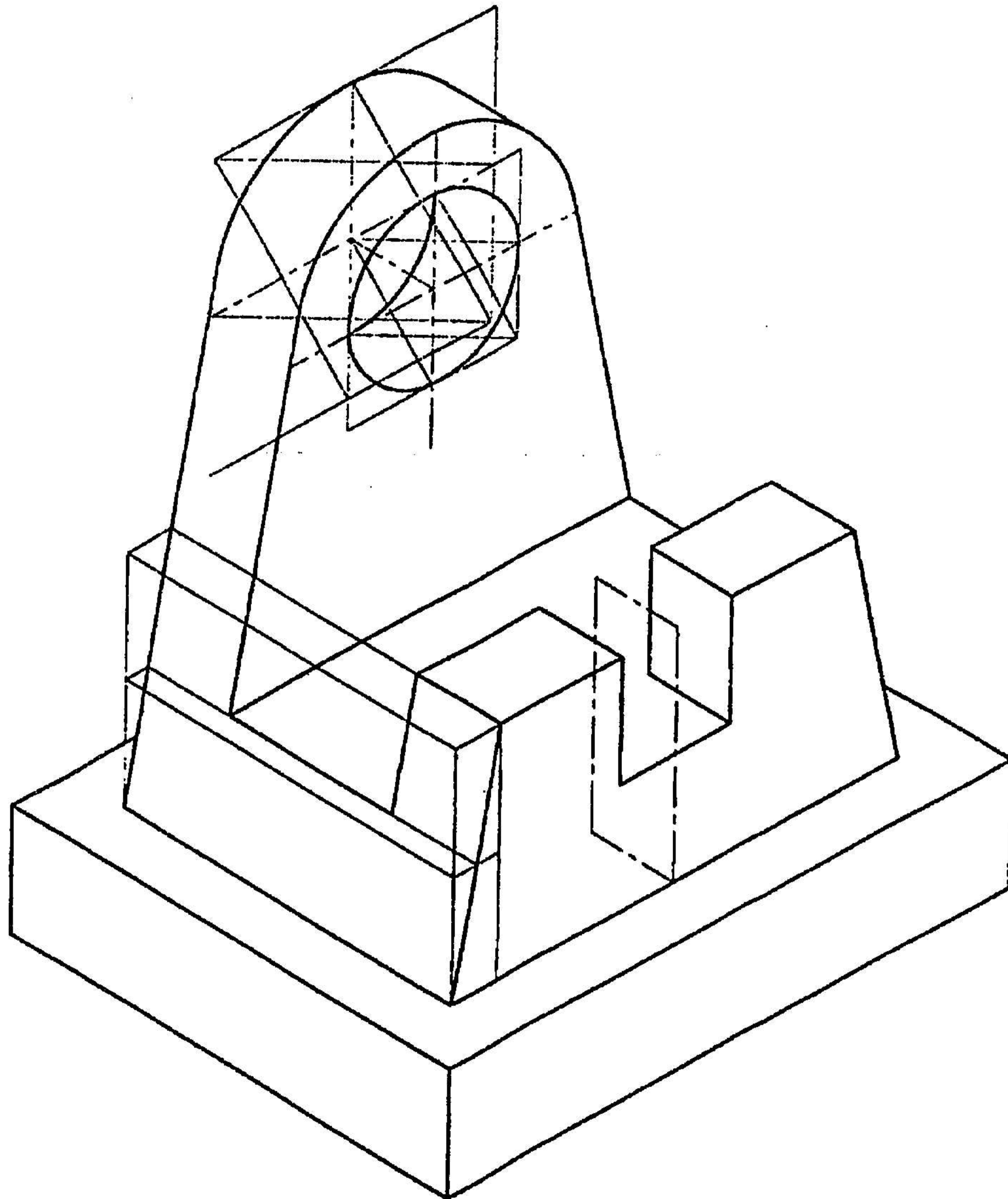
GAUTENGSE DEPARTEMENT VAN ONDERWYS

SENIORSERTIFIKAAT-EKSAMEN

**PLAASWERKTUIGKUNDE SG
(Eerste Vraestel: Tekene)**

VRAAG 1

Isometriese sirkel (4 per sirkel)	(12)
Tekening (Isometries) 2 per afdeling	(18)
Netheid	(2)
Lynwerk	(3)



VRAAG 2

