



Free-Standing Mathematics Qualification
Higher Level
June 2015

Algebra and Graphs

4988/PM

Unit 8

Preliminary Material

Data Sheet

To be opened and issued to candidates between
Tuesday 21 April 2015 and Tuesday 5 May 2015

REMINDER TO CANDIDATES

YOU MUST **NOT** BRING THIS DATA SHEET
WITH YOU WHEN YOU SIT THE EXAMINATION.
A CLEAN COPY WILL BE MADE AVAILABLE.

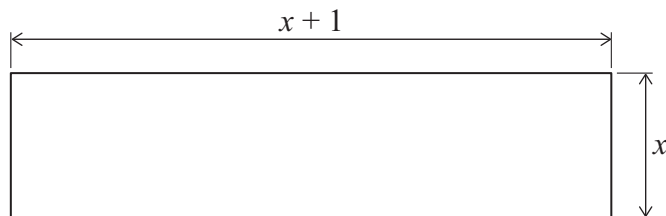
Information

The Preliminary Material is to be seen by teachers and candidates **only**, for use during preparation for the examination on Tuesday 12 May 2015. It **cannot** be used by anyone else for any other purpose, other than as stated in the instructions issued, until after the examination date has passed. It must **not** be provided to third parties.

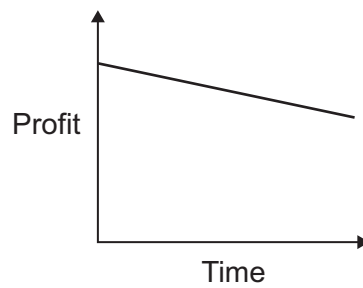
Bathroom tiles

The diagram below shows an example of a tile with measurements in terms of x .

The measurements are in metres.

**Company profit**

Companies often use graphs to illustrate the profit they make over a period of time.



The graph above shows that this company's profit decreased at a constant rate over a period of time.

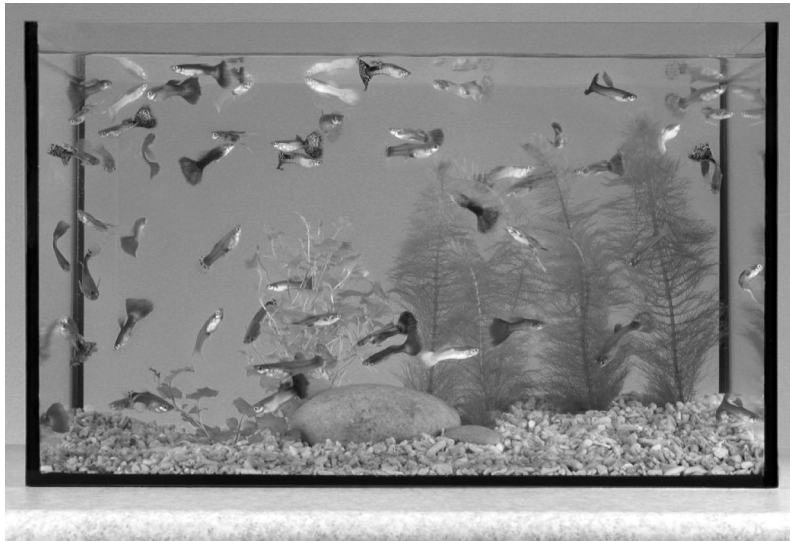
Keeping fish

Three friends, Ahmed, Brent and Cassie, each have a fish tank where they keep guppies and rainbow fish.

They each follow the same advice regarding the number of gallons of water needed in a tank to keep the fish healthy.

The table below shows the number of fish in Ahmed's tank and the number of gallons of water needed.

Name	Number of guppies	Number of rainbow fish	Number of gallons of water in tank
Ahmed	3	4	24



Turn over

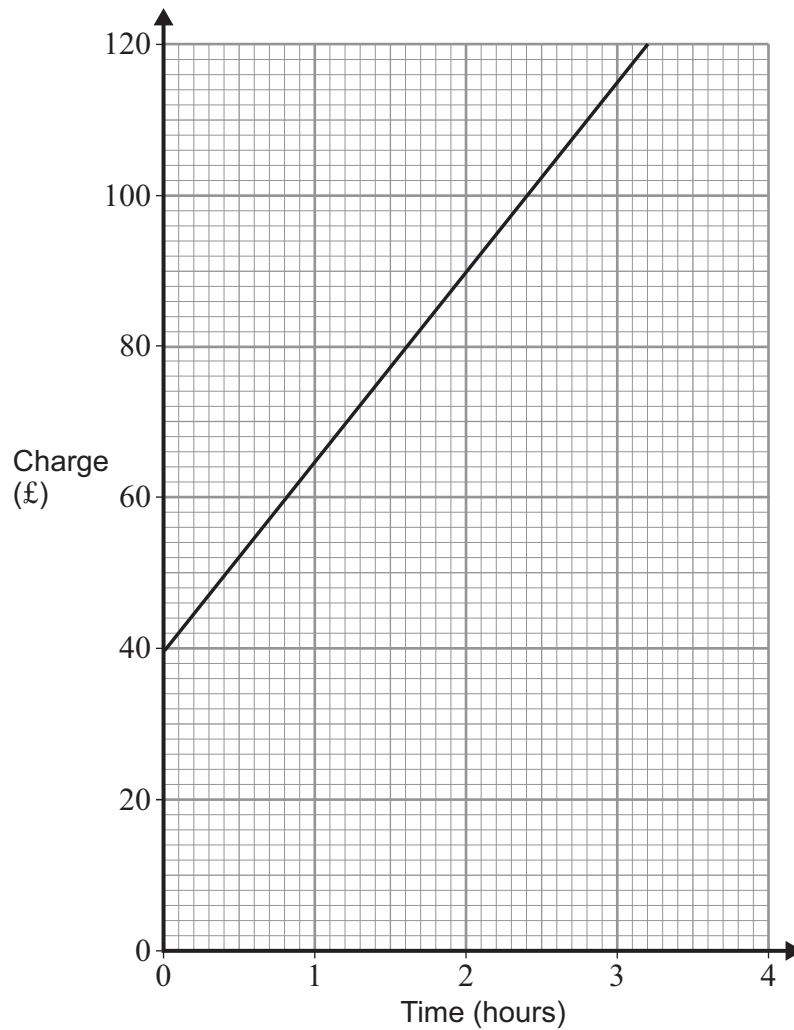
Turn over ►

Heartbeats

A study of the human body claims that the human heart beats between 90 000 and 110 000 times a day and beats between 2.9 and 3.1 billion times in a person's lifetime.

Tradesmen

The labour charge for a plumber for each job is illustrated in the graph below.



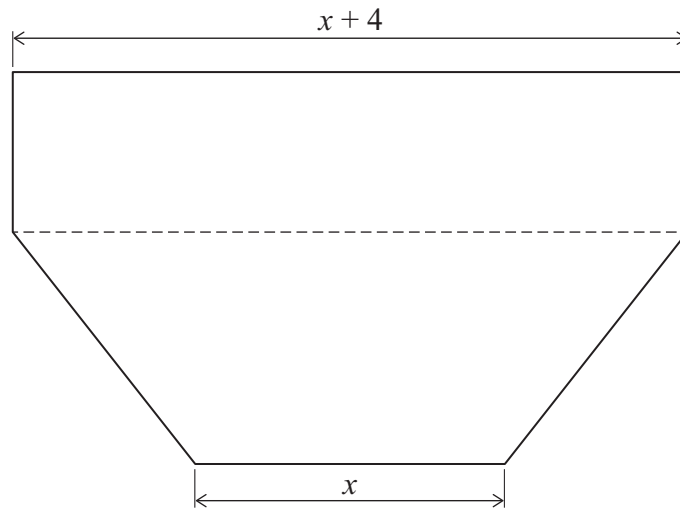
The labour charge is made up of a fixed call-out fee plus an amount for the time the job lasts. This second amount is based on a rate-per-hour.

Patios

The diagram below shows the plan of a patio. The hexagonal area is made up of a rectangle and a trapezium.

Two of the measurements are shown.

All measurements are in metres.



END OF DATA SHEET

There are no data printed on this page

There are no data printed on this page

There are no data printed on this page

Acknowledgement of copyright-holders and publishers

Keeping fish: © Alamy Images

Copyright © 2015 AQA and its licensors. All rights reserved.

P/Jun15/4988/PM