

# JUNIOR LYCEUM ANNUAL EXAMINATIONS 2007

Education Assessment Unit - Education Division

---

**FORM 3 (1<sup>st</sup> year)      TECHNICAL DESIGN      Time: 2 hours**

---

NAME : \_\_\_\_\_

CLASS : \_\_\_\_\_

## Instructions

- Write your name and class on all sheets.
- Attempt **ALL** questions.
- All answers are to be drawn accurately, with instruments, unless otherwise stated.
- All construction lines **MUST** be left on each solution to show the method used.
- Drawing aids may be used.

## Information

- All dimensions are in millimetres.
- Estimate any dimension not given.
- Marks will be awarded for accuracy, clarity and appropriateness of construction.

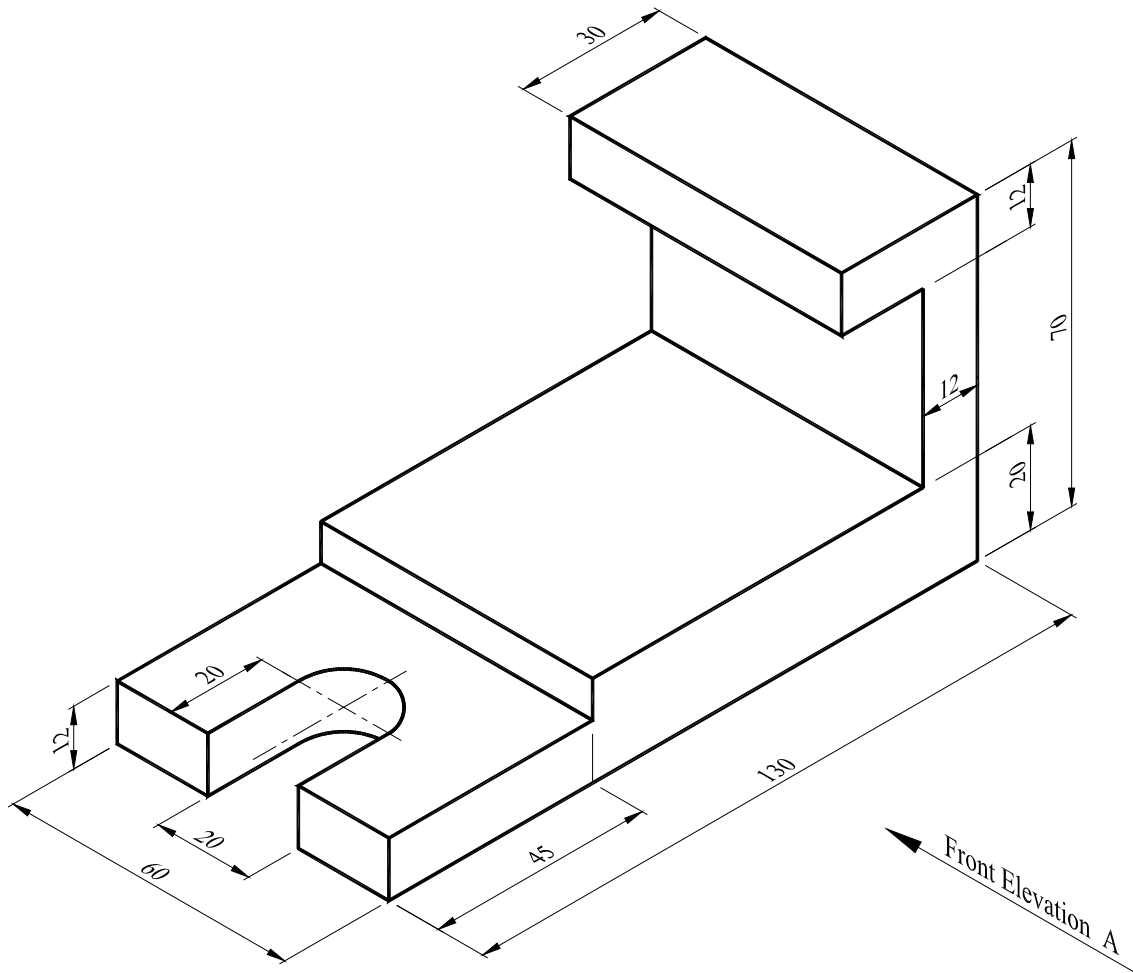
<b>Question</b>	<b>1</b>	<b>2</b>	<b>3</b>	<b>4</b>	<b>5</b>
<b>Max. mark</b>	<b>36</b>	<b>16</b>	<b>16</b>	<b>16</b>	<b>16</b>
<b>Mark</b>					

1. The figure below shows a pictorial view of a BRACKET.  
Draw, in first angle projection, the following views:

- (a) a front elevation from arrow A. 16 marks  
(b) a complete plan. 15 marks

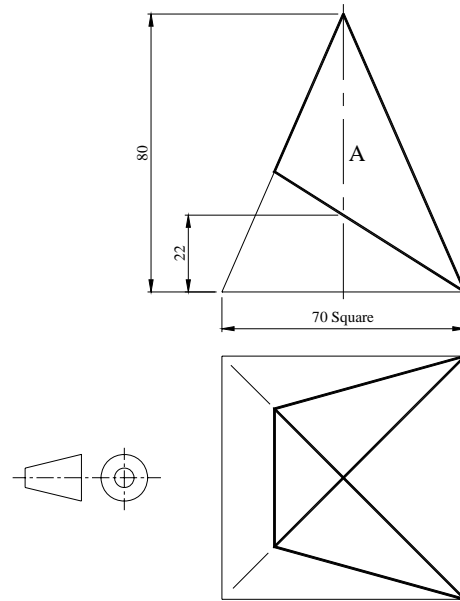
- Note: (i) Show the scale used. 2 marks  
(ii) Draw the symbol of projection used. 3 marks  
(iii) Include all hidden details.

**Total 36 marks**



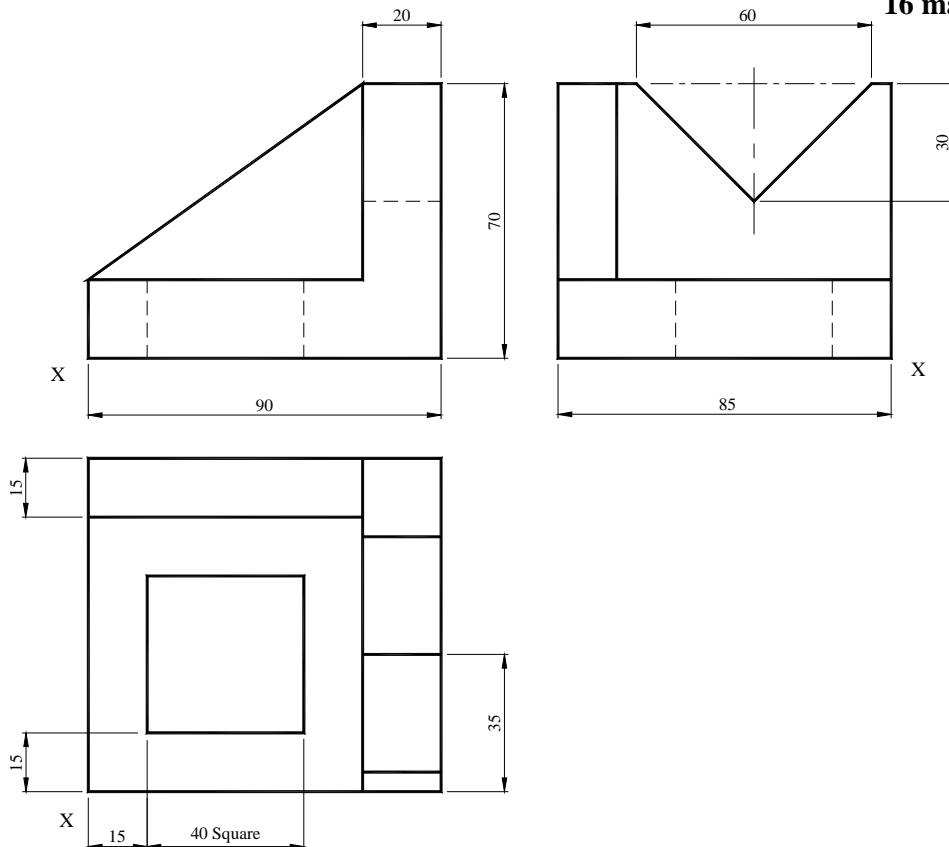
2. The figure shows a front elevation and a complete plan of a truncated square pyramid.  
 Draw a one piece development of the Pyramid.  
 Show all construction lines.

**16 marks**



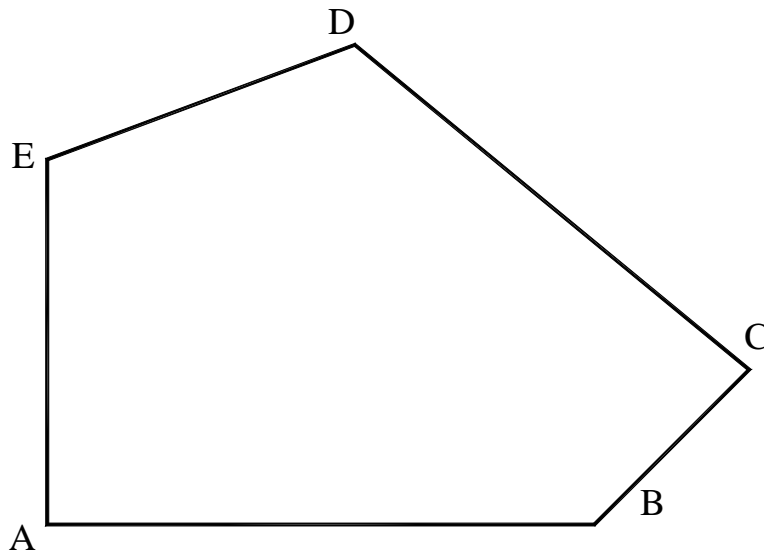
3. The figure below shows an orthographic projection in first angle of an 'Angle Block'.  
 Draw an isometric projection of the component positioning corner X in the foreground.

**16 marks**



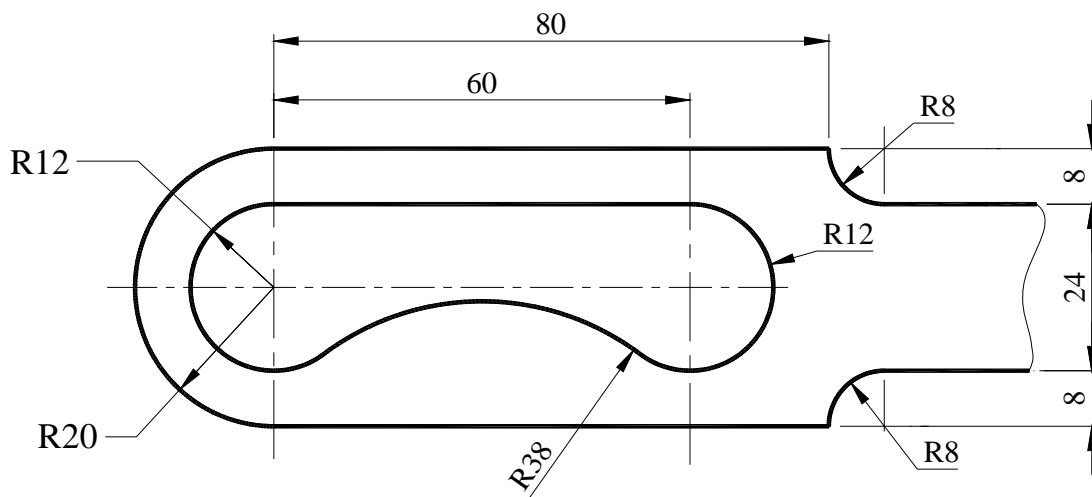
4. Enlarge the given figure so that the sides are in the ratio of 3:2.  
All construction is to be shown.

16 marks

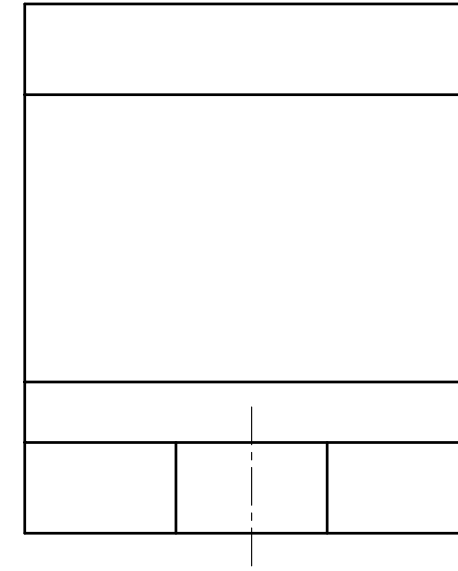


5. The figure below shows a machined handle.  
Draw, to a scale of 1:1, the handle shown.  
All construction used to find the centres of all arcs is to be clearly shown.  
Note: The drawing below is not drawn to scale.

16 marks

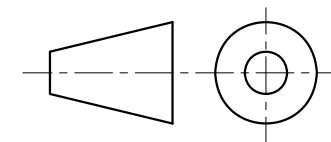
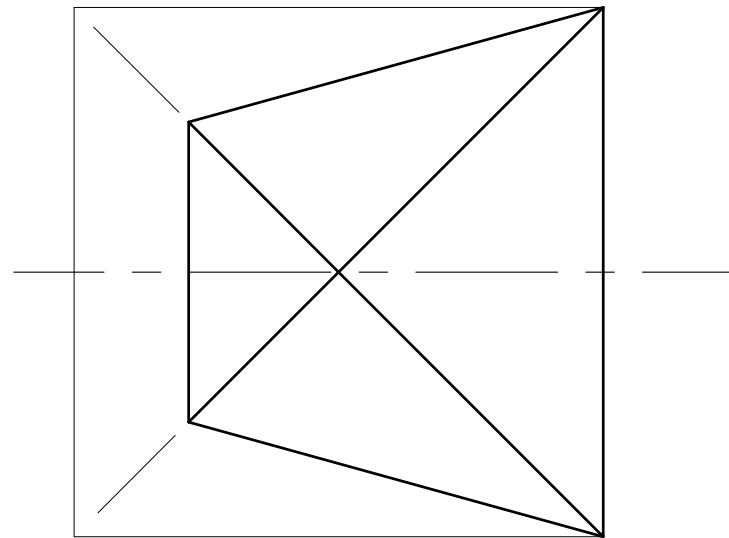
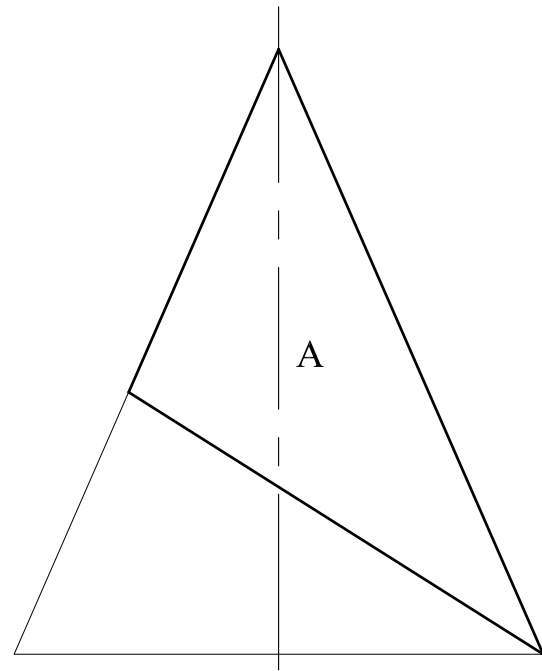


QUESTION No.1



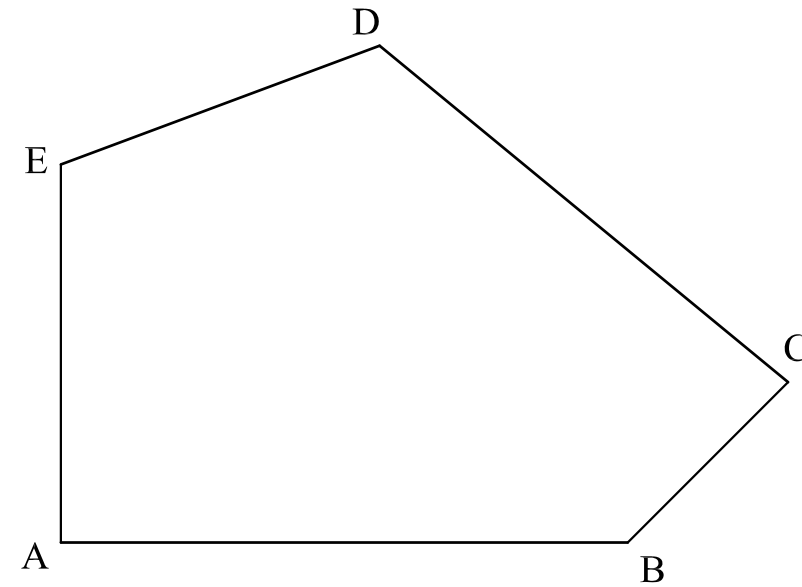
END ELEVATION

QUESTION No.2



QUESTION No.3

QUESTION No.4



QUESTION No.5

