

JUNIOR LYCEUM ANNUAL EXAMINATIONS 2007

Education Assessment Unit - Education Division

FORM 3 (3rd year) TECHNICAL DESIGN Time: 2 hours

NAME : _____

CLASS : _____

Instructions

- Write your name and class on all sheets.
- Attempt **ALL** questions.
- All answers are to be drawn accurately, with instruments, unless otherwise stated.
- All construction lines **MUST** be left on each solution to show the method used.
- Drawing aids may be used.

Information

- All dimensions are in millimetres.
- Estimate any dimension not given.
- Marks will be awarded for accuracy, clarity and appropriateness of construction.

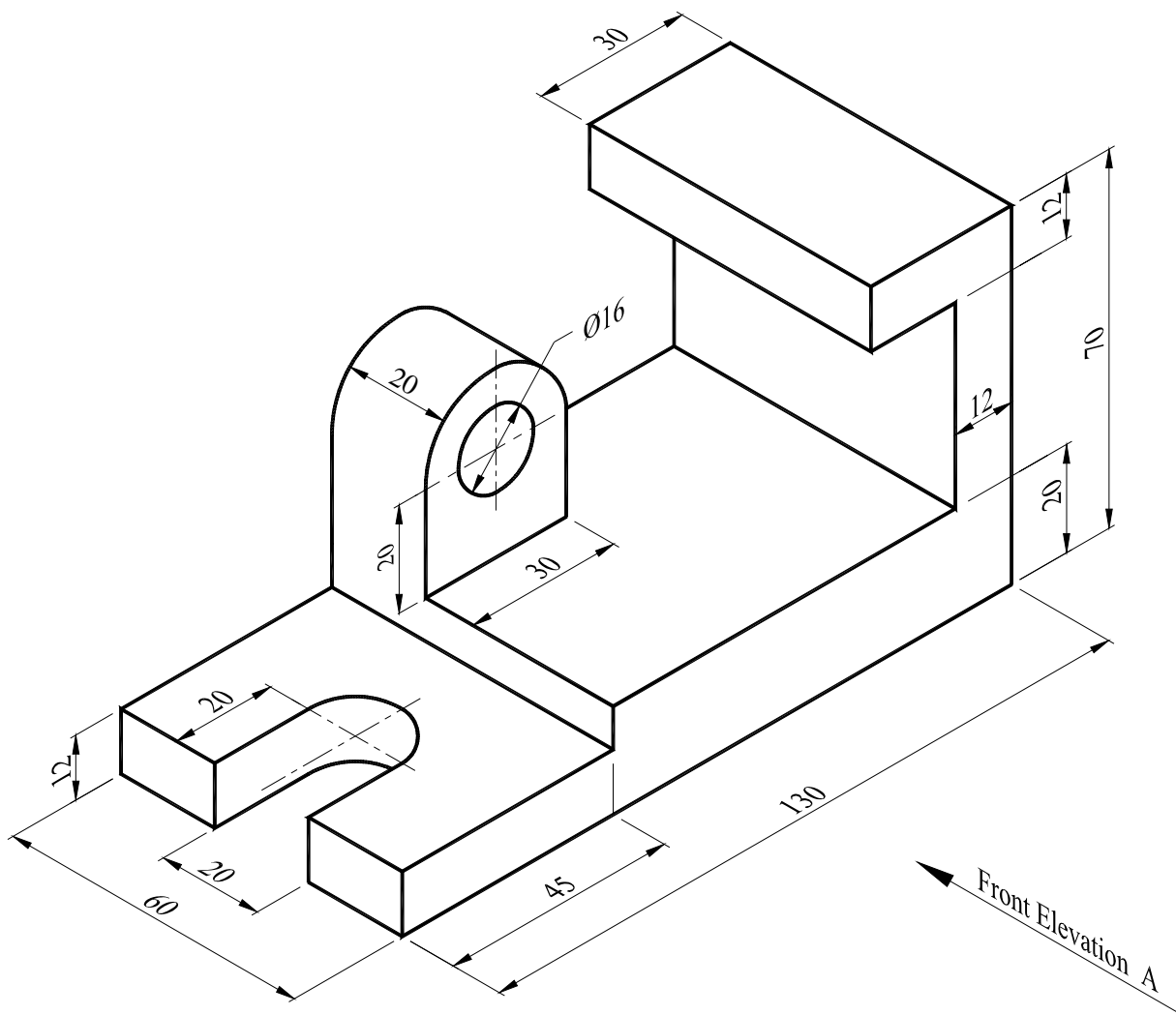
Question	1	2	3	4	5
Max. mark	36	16	16	16	16
Mark					

1. The figure below shows a pictorial view of a BRACKET.
Draw, in first angle projection, the following views:

- (a) a front elevation from arrow A. 16 marks
 (b) a complete plan. 15 marks

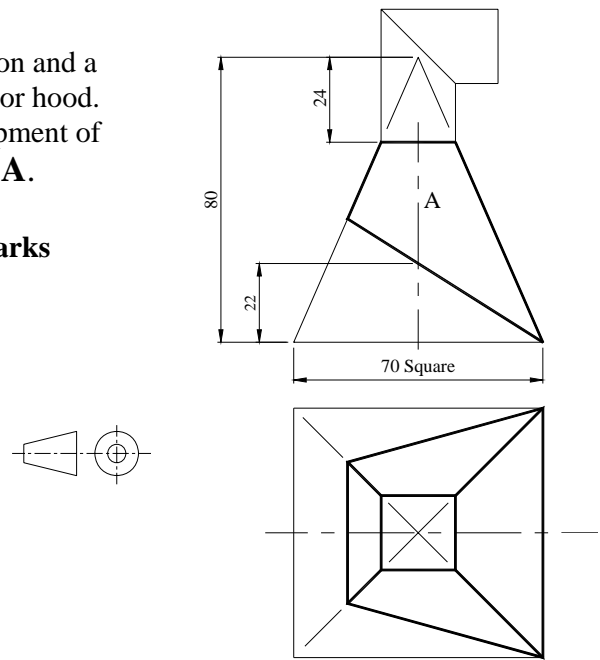
- Note: (i) Show the scale used. 2 marks
 (ii) Draw the symbol of projection used. 3 marks
 (iii) Include all hidden details

Total 36 marks



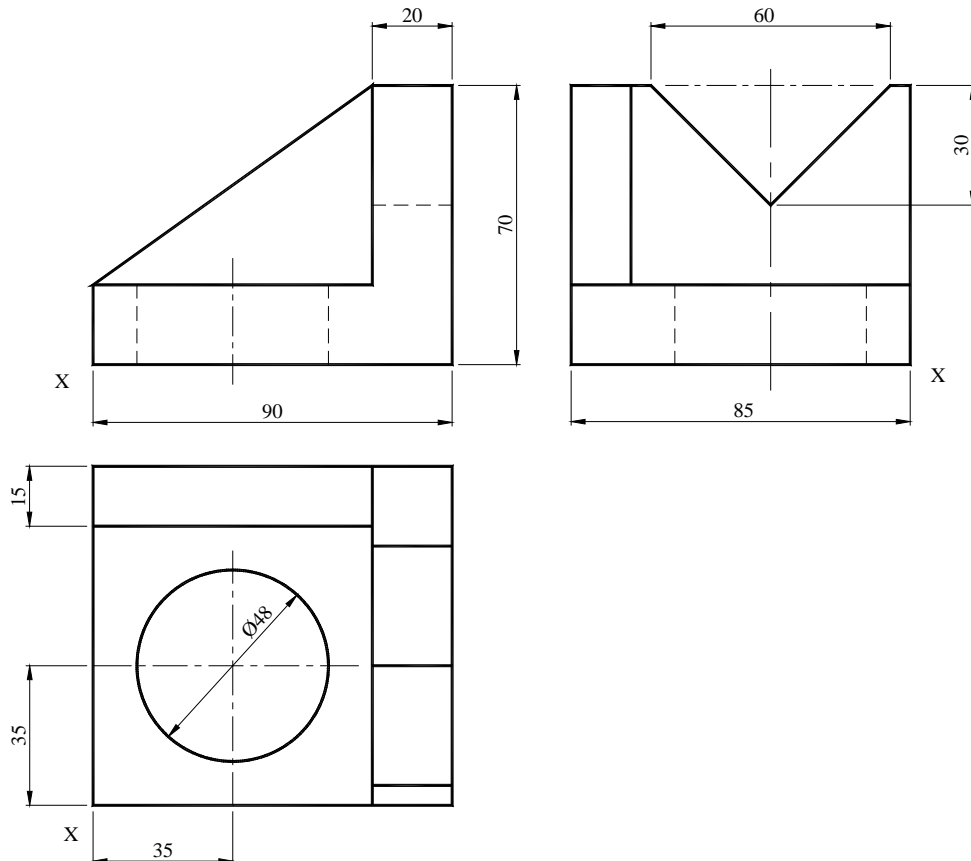
2. The drawing shows a front elevation and a complete plan of part of an extractor hood. To a scale of 1:1, draw the development of the main part of the hood, marked **A**.

16 marks



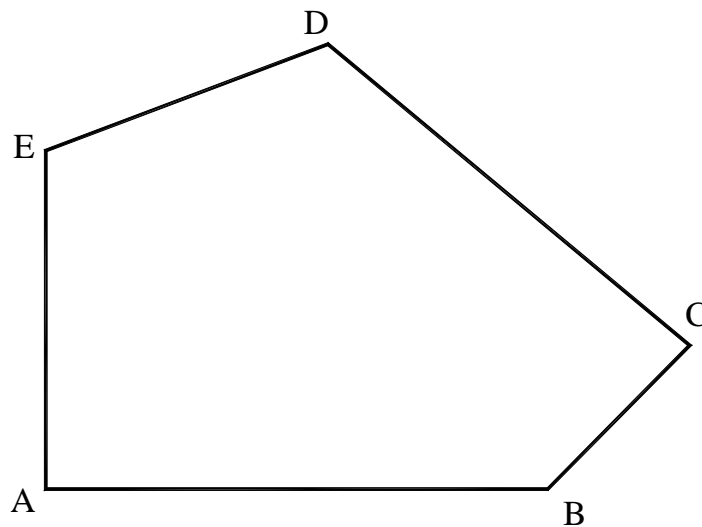
3. The figure below shows an orthographic projection in first angle of an 'Angle Vee Block'. Draw an isometric projection of the component, positioning corner X in the foreground.

16 marks



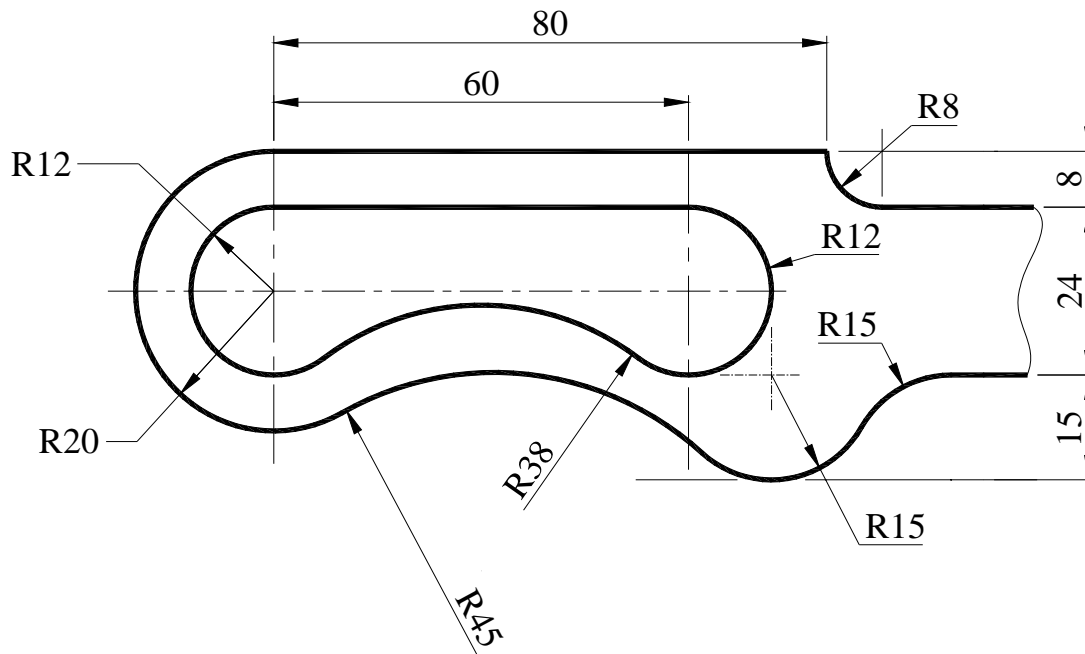
4. Enlarge the given figure so that the sides are in the ratio of 3:2.
All construction is to be shown.

16 marks

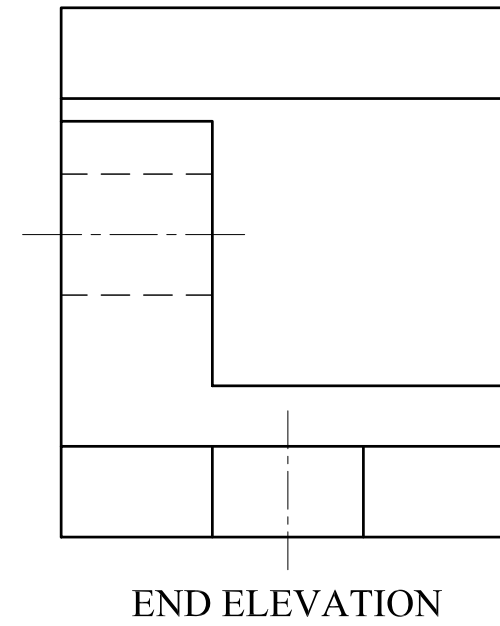


5. A machined handle is shown in the drawing.
Draw, to a scale of 1:1, the handle shown.
All construction used to find the centres of all arcs is to be shown.

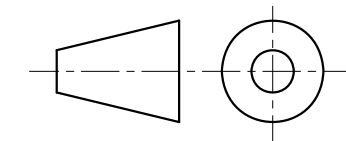
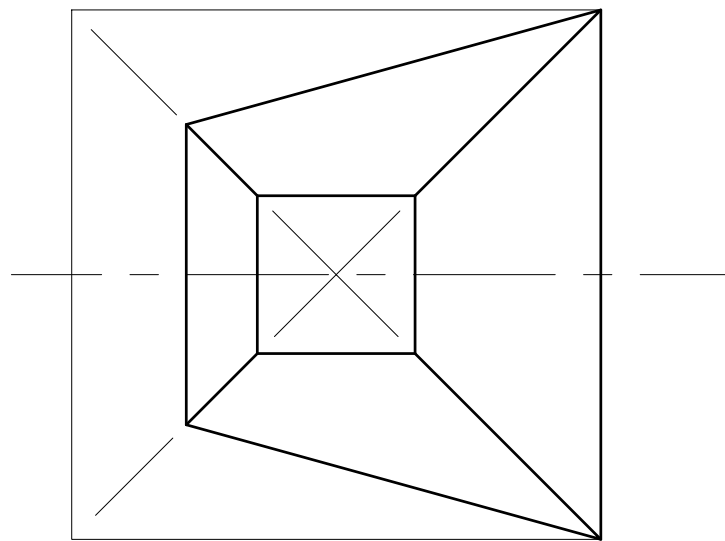
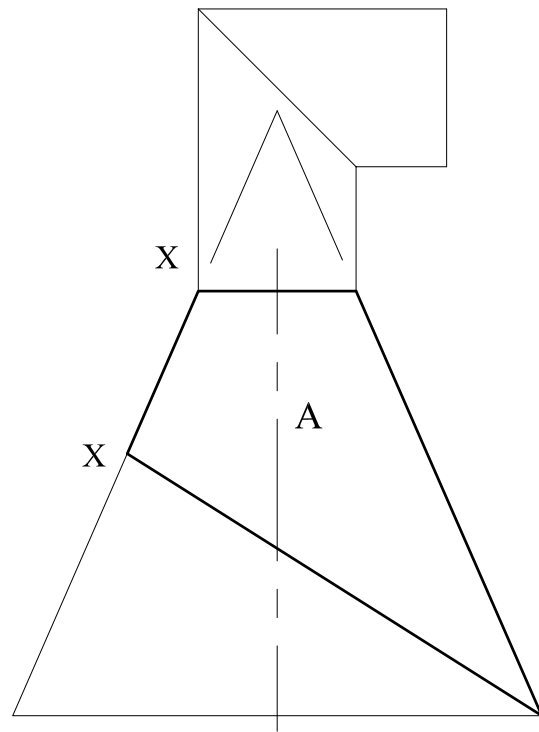
16 marks



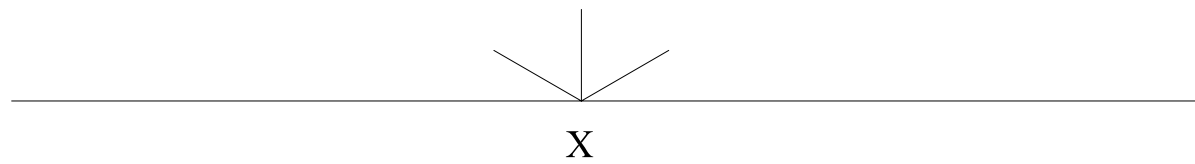
QUESTION No.1



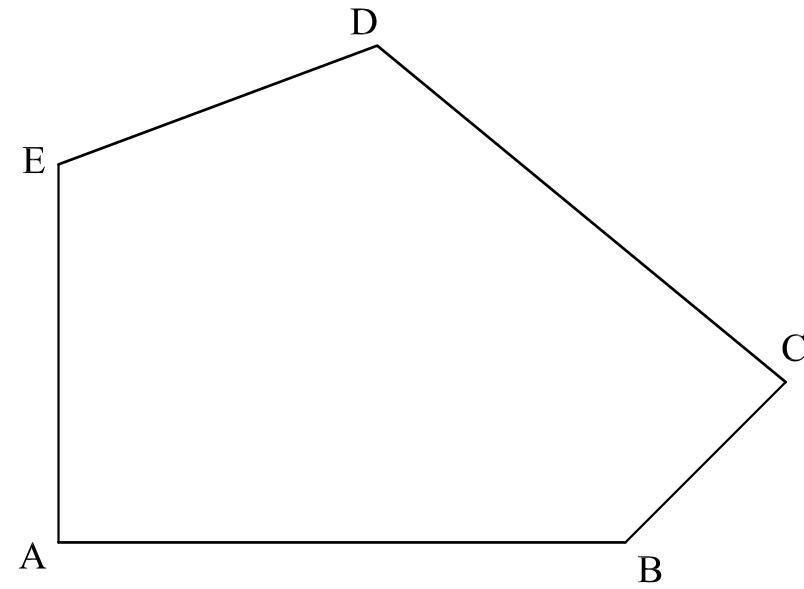
QUESTION No.2



QUESTION No.3



QUESTION No.4



QUESTION No.5

