

JUNIOR LYCEUMS ANNUAL EXAMINATIONS 2000
Educational Assessment Unit – Education Division

Form 1	TECHNICAL DESIGN	Time: 2 hours
--------	------------------	---------------

Notes

1. Answer all questions.
2. All dimensions are in mm.
3. Drawing aids may be used.
4. All construction lines must be shown where appropriate.
5. **You are required to use one side of your paper for question number 3 only.**

Question 1

Draw a borderline and a title (name) block on one side of your drawing paper. In the appropriate spaces print in free hand simple block letters:

- a) Your surname and name.
- b) Your class.
- c) Annual examination.
- d) Date.
- e) In the middle space of the title block write down the name of the drawing in question number 3. i.e. **Machined Block**

10 marks

Question 2

- a) Draw a circle 60mm diameter **1 mark**
- b) On this circle show and neatly label:
 - i) A chord **2 marks**
 - ii) The circumference **2 marks**
 - iii) A quadrant **2 marks**
 - iv) A segment **2 marks**
- c) Draw a circle 60mm diameter and in it draw a concentric circle. **2 marks**
- d) Draw a circle 60mm diameter and in it draw an eccentric circle **2 marks**

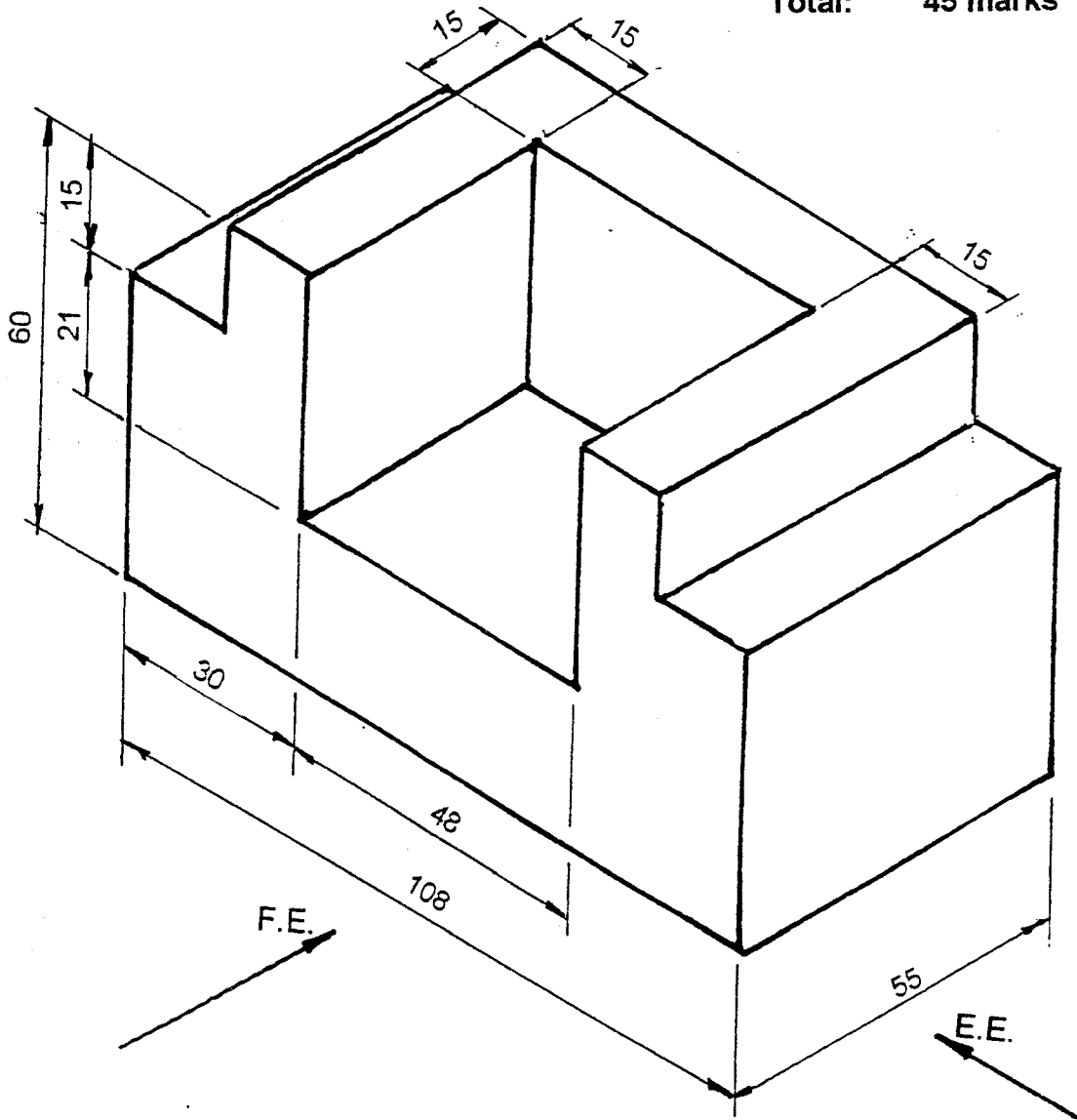
Total: 13 marks

Question 3

Figure 1 below shows a pictorial view of a **MACHINED BLOCK**
Draw full size the following elevations (views).

- a) A front elevation in the direction of arrow F.E. 15 marks
- b) An end (side) elevation in the direction of arrow E.E. 15 marks
- c) A plan. 15 marks

Total: 45 marks

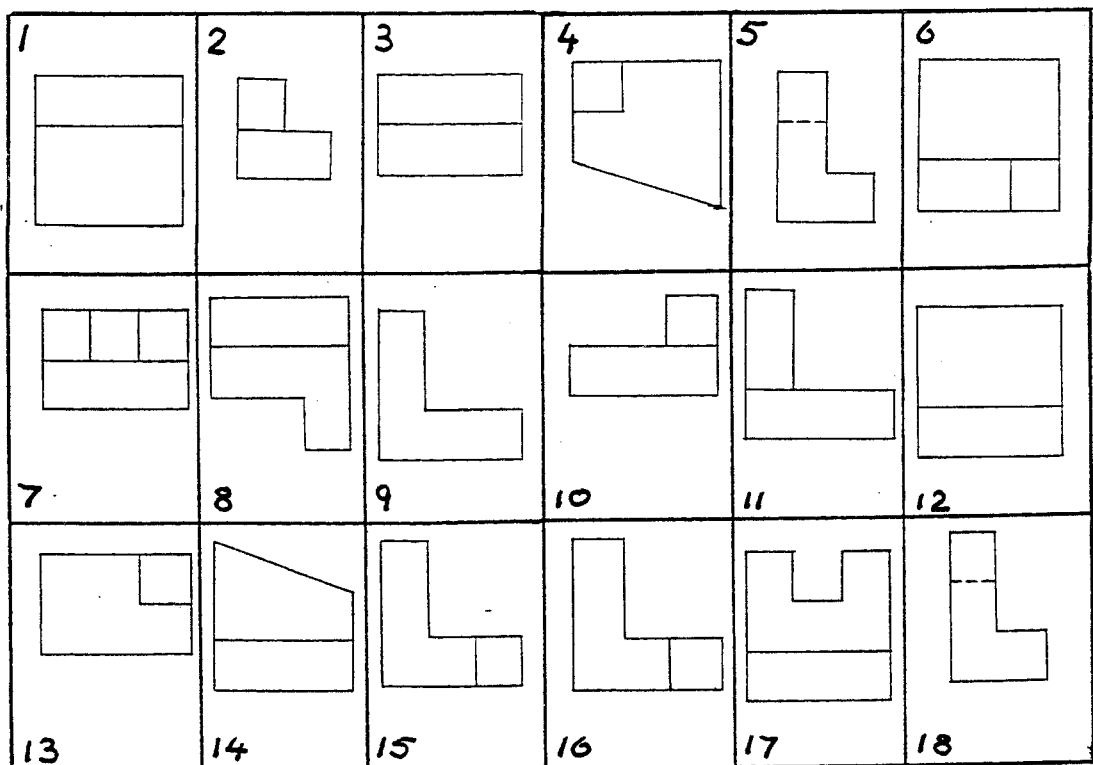
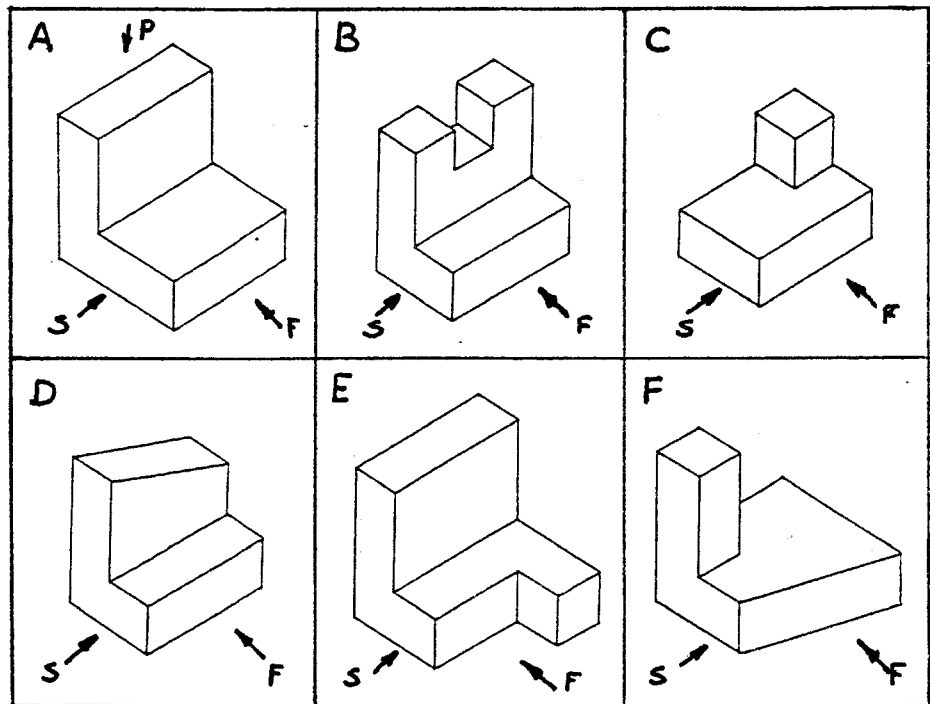


Question 4

The figure shows the blocks A, B, C, D, E, and F in pictorial projection. The arrow indicates the direction of the front elevation. Select from the given orthographic views 1 to 18, the relevant front views **F**, side views **S**, and plans **P**. **Draw** a table similar to the one given and insert your answers in the table. The answers for **A** are done for you.

15 marks

	F	S	P
A	12	9	1
B			
C			
D			
E			
F			



Question 4

The figure shows the blocks A, B, C, D, E, and F in pictorial projection. The arrow indicates the direction of the front elevation. Select from the given orthographic views 1 to 18, the relevant front views **F**, side views **S**, and plans **P**. **Draw** a table similar to the one given and insert your answers in the table. The answers for **A** are done for you.

15 marks

	F	S	P
A	12	9	1
B			
C			
D			
E			
F			

