

JUNIOR LYCEUM ANNUAL EXAMINATIONS 2008
 DIRECTORATE FOR QUALITY AND STANDARDS IN EDUCATION
 Educational Assessment Unit

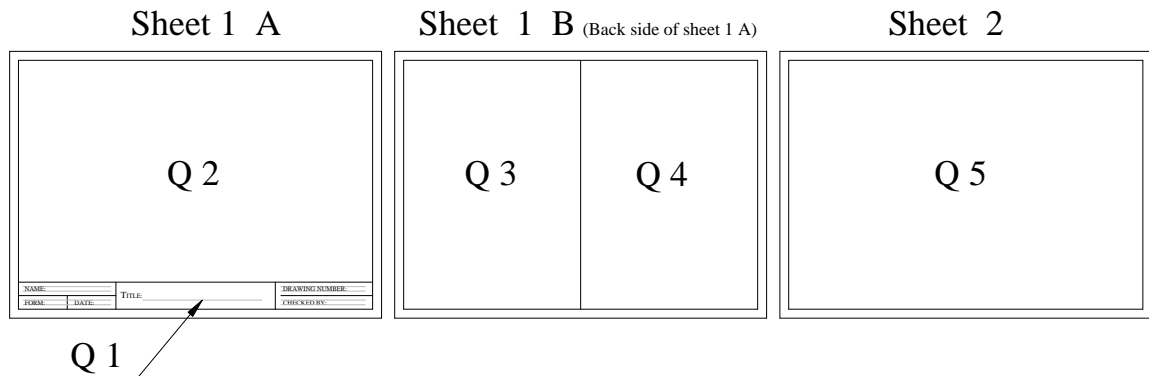
FORM 1 GRAPHICAL COMMUNICATION TIME: 2 hours

NAME: _____

CLASS: _____

Please Note:

You are required to use both sides of the drawing paper, as shown below.



- Write your name and class on all sheets.
- Attempt **ALL** questions.
- Answer **ALL** questions accurately, using instruments, unless otherwise stated.
- All construction lines **MUST** be shown.
- Drawing aids may be used.
- All dimensions are in millimetres.
- Estimate any missing dimension.
- Marks will be awarded for accuracy, clarity and construction.

Question	1	2	3	4	5
Max. mark	10	35	18	19	18
Mark					

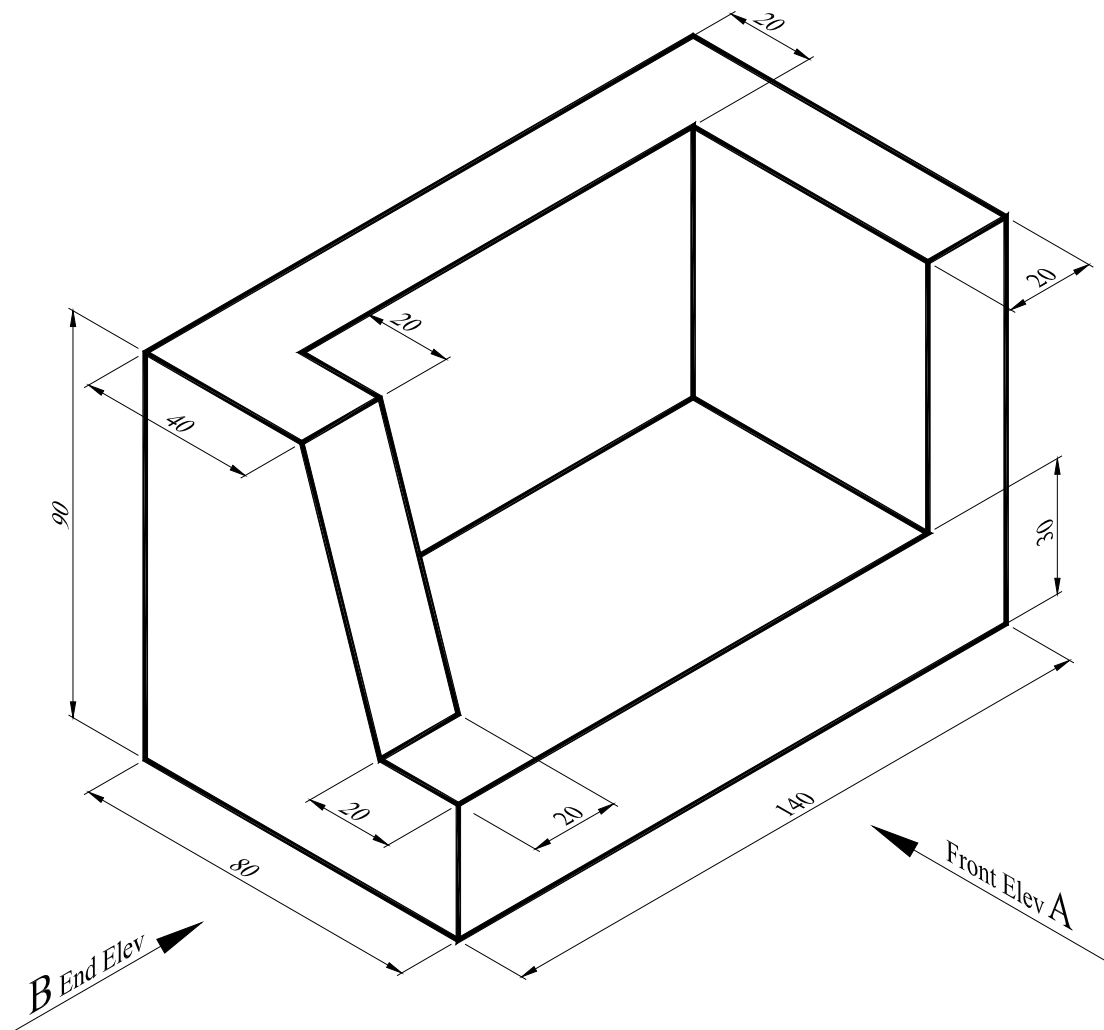
1. Draw a borderline and a title (name) block on one side of your drawing paper. In the appropriate space, print in freehand simple block letters:
 - (a) Your surname and name.
 - (b) Your class.
 - (c) Date.
 - (d) Annual Examination.
 - (e) In the middle space of your title block, write down the name of the drawing in question 2: **'SHAPED BLOCK'**

10 marks

2. The figure below shows the drawing of a **SHAPED BLOCK**. Draw full size:

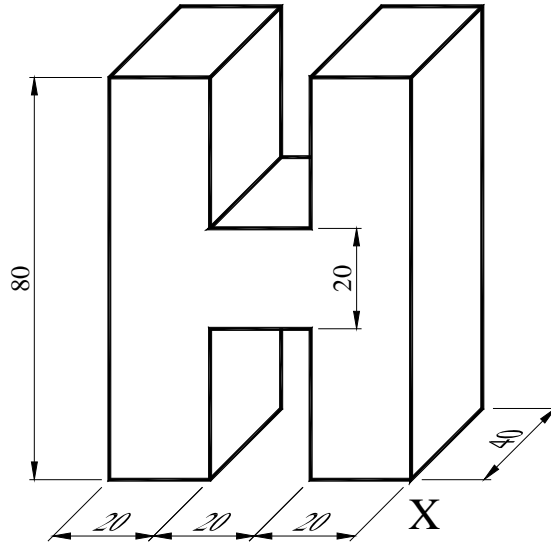
- (a) A front elevation from arrow **A**. (13 marks)
 - (b) An end elevation from arrow **B**. (12 marks)
 - (c) A plan. (10 marks)
- Hidden details are to be shown.

Total 35 marks



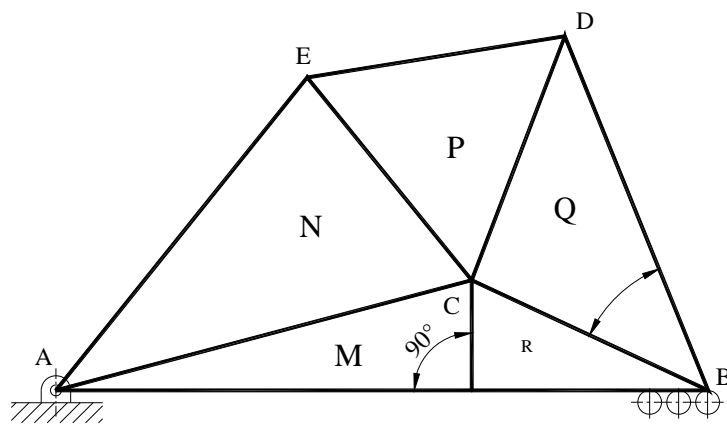
3. The figure below shows an oblique view of shaped wooden block.
 Draw, full size, an **Isometric** view of the given block with corner 'X' to be the lowest point in your drawing.
Note: The given drawing is not drawn to scale.

18 marks



4. The figure below shows a supporting structure.
- | | | |
|-----|--|----------|
| (a) | copy, full size, the given figure | 10 marks |
| (b) | measure the length of line AE | 2 marks |
| (c) | using your protractor measure the angle CBD | 2 marks |
| (d) | name triangles M and Q, by angles | 2 marks |
| (e) | name triangles N and P, by sides. | 2 marks |
| | presentation and neatness | 1 mark |

Total 19 marks



- AB = 135mm
- AC = 89mm
- BC = 54mm
- BC = CD = 54mm
- BD = 79mm
- CD = ED = CE = 54mm

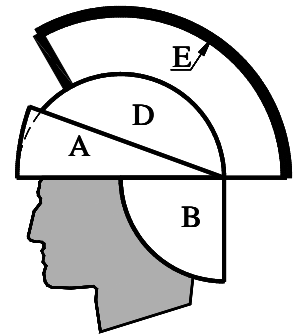
NOT TO SCALE

5. The figure on the right hand side shows a 'Roman Soldier's Helmet' which consists of four parts A, B, D and E.

For the Helmet only, and to the dimensions given below, draw full size:

- (a) the given **Helmet**, as shown below 10 marks
 (b) name the areas **A**, **B** and **D** 6 marks
 (c) give the proper name for the curved line **E** 2 marks

Note that C_1 and C_2 are both centres of circles.



Total 18 marks

