



Coimisiún na Scrúduithe Stáit
State Examinations Commission

Leaving Certificate Examination 2016

Mathematics

Foundation Level

Friday 10 June Afternoon 2:00 – 4:30

300 marks

Examination number

Centre stamp

Running total	
---------------	--

For examiner	
Question	Mark
1	
2	
3	
4	
5	
6	
7	
8	
9	
10	
Total	

Grade

Instructions

There are **two** sections in this examination paper.

Section A 200 marks 8 questions

Section B 100 marks 2 questions

Answer **all ten** questions.

Write your answers in the spaces provided in this booklet. You may lose marks if you do not do so. There is space for extra work at the back of the booklet. You may also ask the superintendent for more paper. Label any extra work clearly with the question number and part.

The superintendent will give you a copy of the *Formulae and Tables* booklet. You must return it at the end of the examination. You are not allowed to bring your own copy into the examination.

You will lose marks if you do not show all necessary work.

You may lose marks if you do not include appropriate units of measurement, where relevant.

You may lose marks if you do not give your answers in simplest form, where relevant.

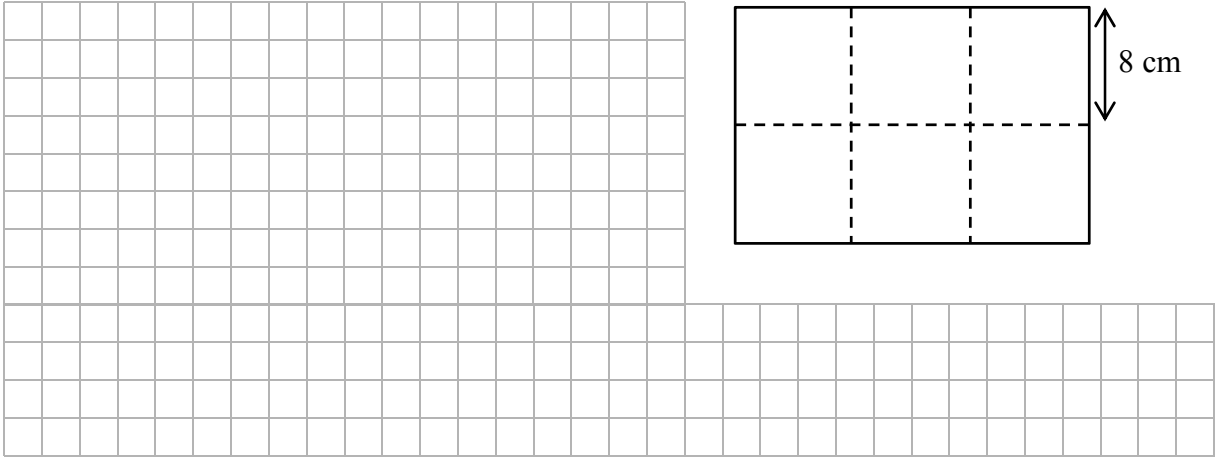
Write the make and model of your calculator(s) here:

Question 2

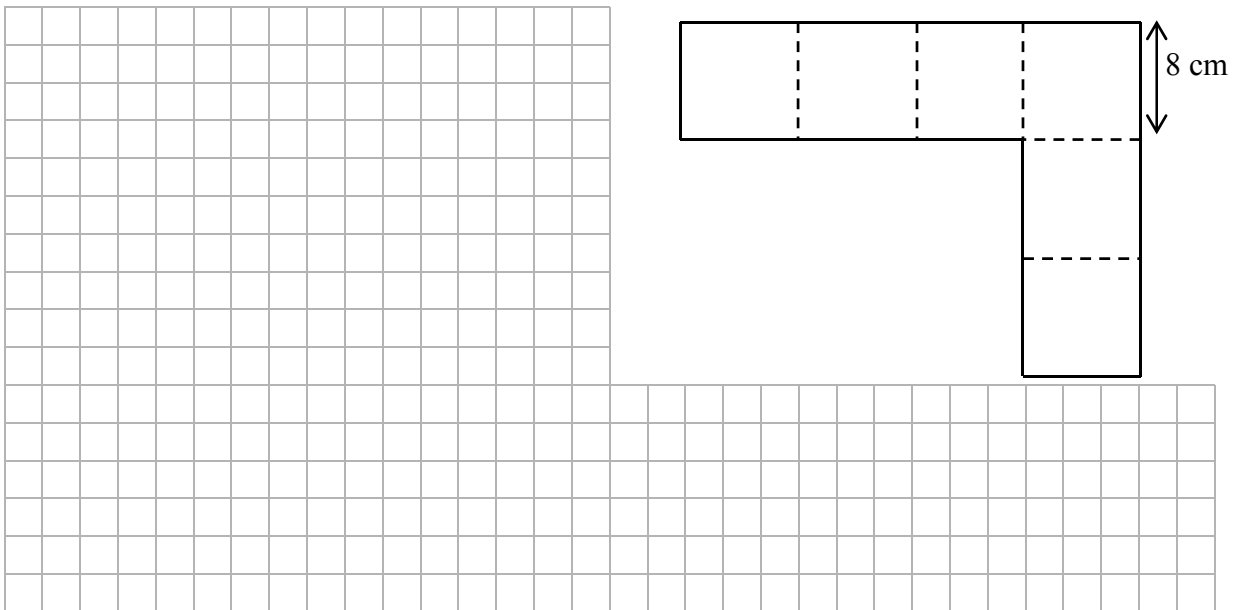
(25 marks)

(a) The side of a square is 8 cm.

(i) Six of these squares have been put together to form the shape shown in the diagram.
Find the length of the perimeter of the shape.



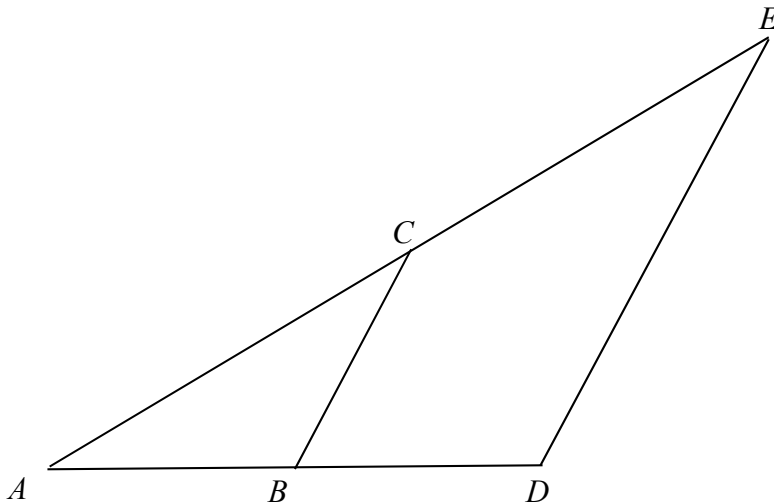
(ii) The six squares are re-arranged as shown.
Find the length of the perimeter of this new shape.



Question 7

(25 marks)

The triangle ADE is the image of the triangle ABC by an enlargement with centre A .



- (a) Measure the length of $[AB]$ and the length of $[AD]$.

$ AB =$ _____	$ AD =$ _____
----------------	----------------

- (b) Hence, or otherwise, find the scale factor of the enlargement.

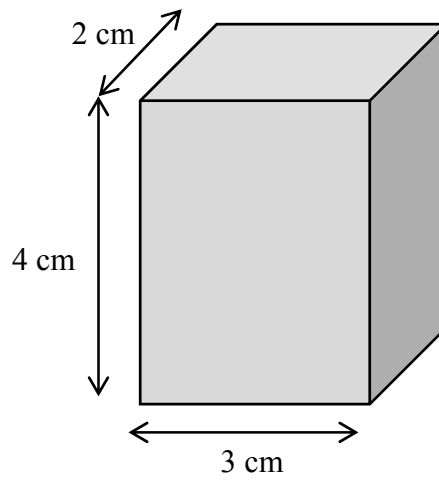
- (c) The area of $\triangle ABC$ is 3 square units. Find the area of $\triangle ADE$.

- (d) On the diagram above, draw the image of $\triangle ABC$ under an enlargement, with centre A and a scale factor of 3.

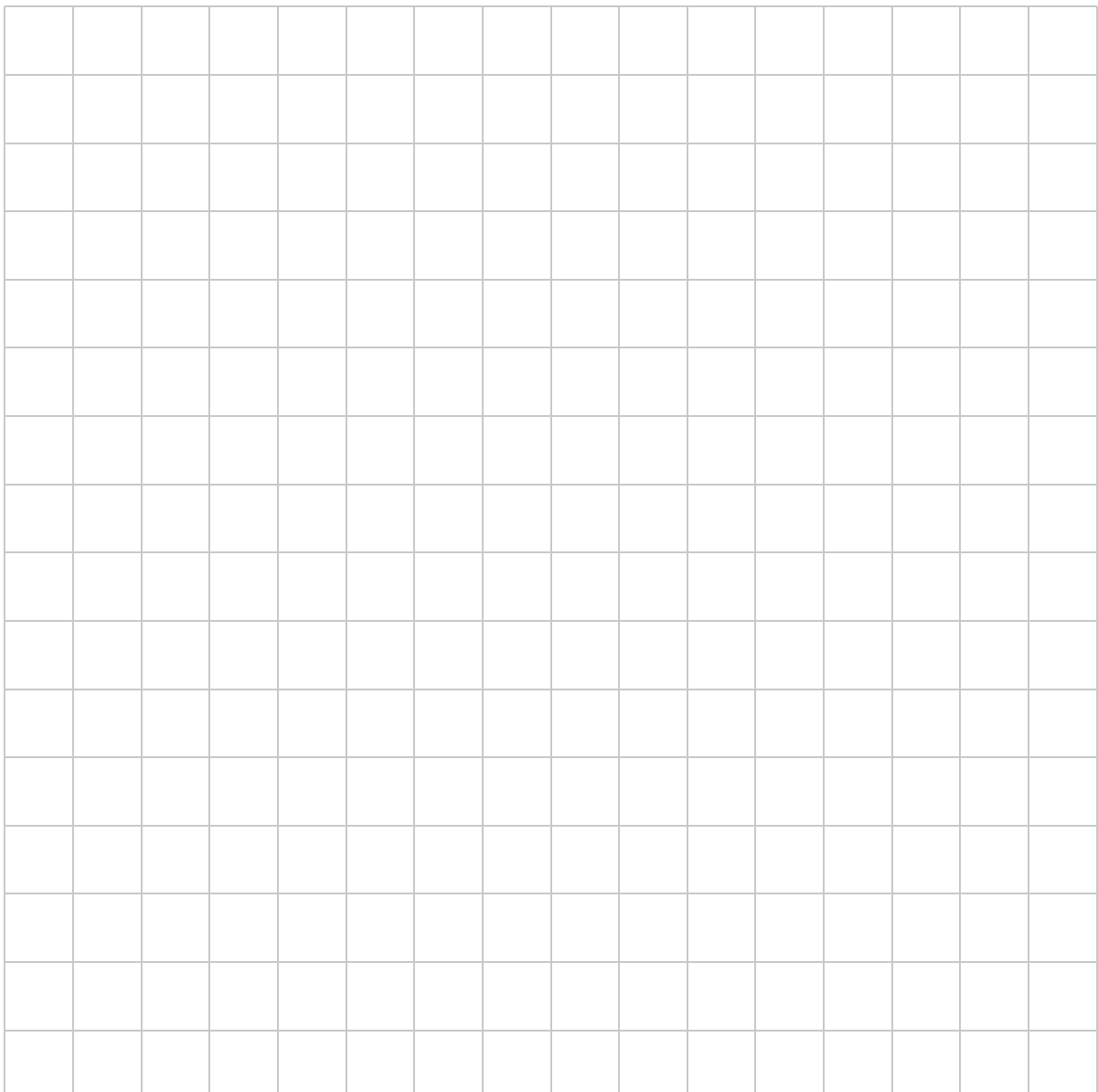
Question 10

(50 marks)

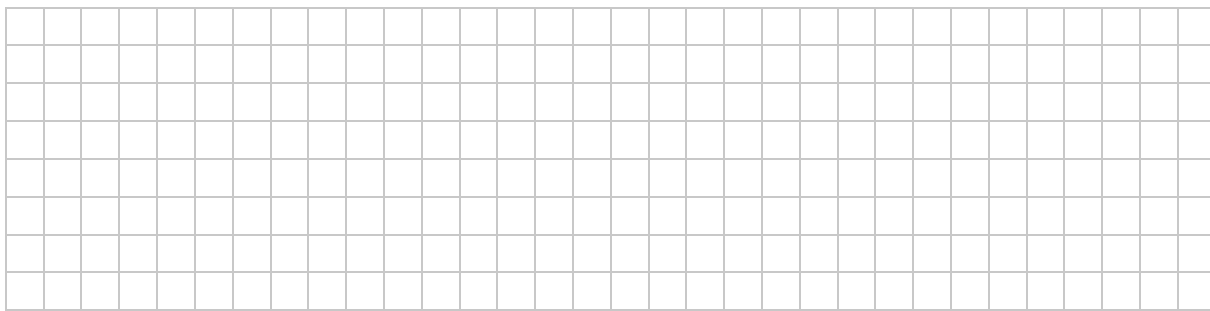
(a) A rectangular block with dimensions 4 cm, 2 cm, and 3 cm is shown below.



(i) Draw a net of the block on the grid below.
Mark in the dimensions on your net.



(ii) Hence, or otherwise, find the surface area of the block.



(iii) Find the volume of the block.



(b) A tube of toothpaste is in the shape of a cylinder with radius 1.6 cm and length 12 cm.

(i) Find the volume of toothpaste in the tube, correct to one decimal place.

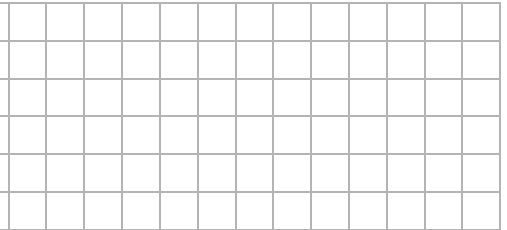
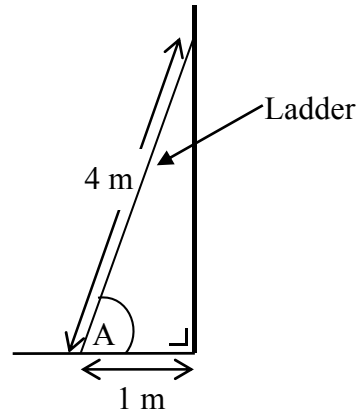
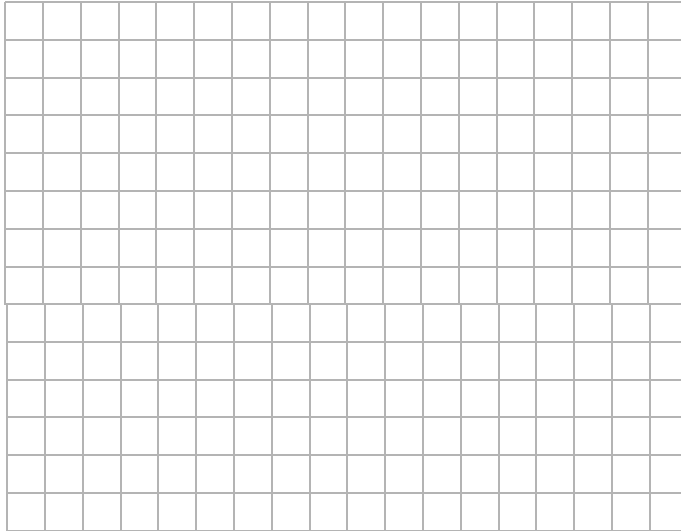


(ii) Each time Mary brushes her teeth she pumps approximately 0.5 cm^3 of toothpaste onto her toothbrush. How many times can Mary expect to brush her teeth from this tube of toothpaste?

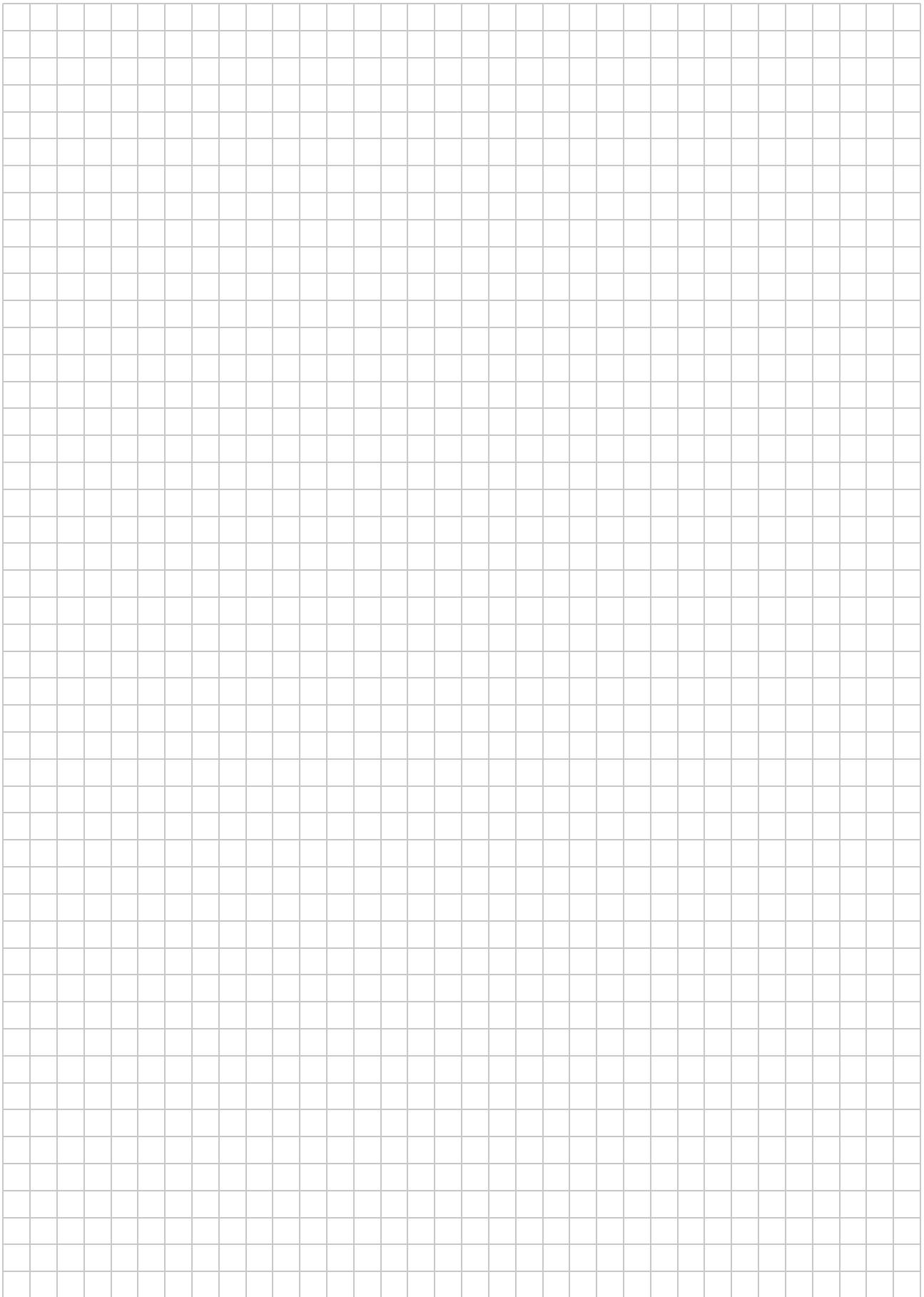


previous	page	running
----------	------	---------

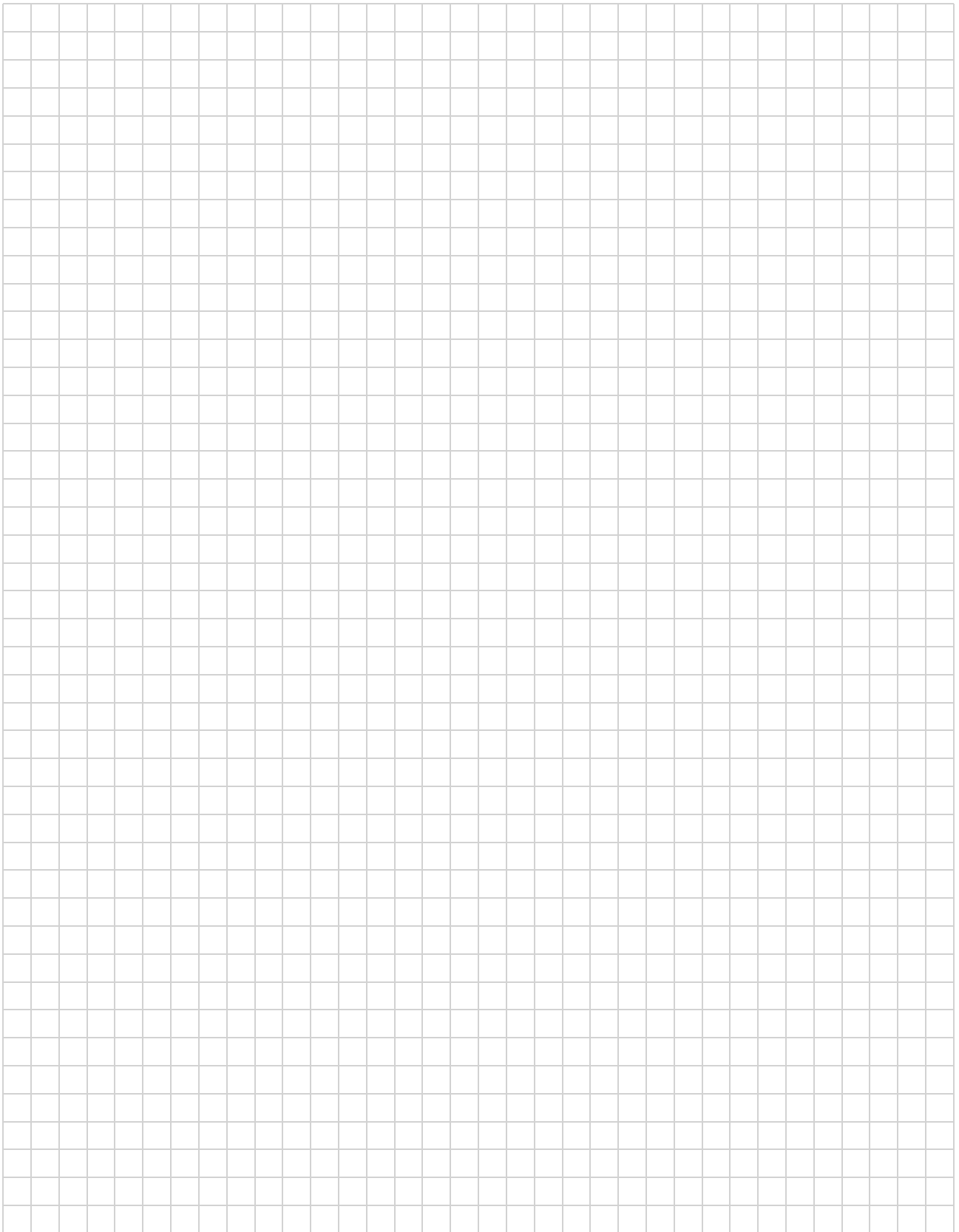
- (c) A ladder is 4 metres long. It rests against a wall. The base of the ladder is 1 metre from the base of the wall as shown in the diagram. Safety regulations state that the angle (A) between the ladder and the ground should be approximately 76° . Is it safe to use this ladder in the position shown in the diagram? Use Trigonometry to justify your answer.



You may use this page for extra work.



previous	page	running
----------	------	---------



Leaving Certificate 2016 – Foundation Level

Mathematics

Friday 10 June

Afternoon 2:00 – 4:30