

LEAVING CERTIFICATE EXAMINATION, 1996

ENGINEERING - PRACTICAL
HIGHER AND ORDINARY LEVELS

150 marks

THURSDAY, 2 MAY - MORNING: 10.00 to 1.00
AFTERNOON: 2.00 to 5.00

INSTRUCTIONS

- (a) The Examination Number must be clearly stamped on the test-piece in the position indicated on the drawing. If the test-piece is not assembled, the Examination Number must be indicated on each separate piece of the test.
- (b) Candidates are not permitted to communicate with or assist one another.
- (c) Completed test-piece must be very lightly coated with clean lubricating oil.

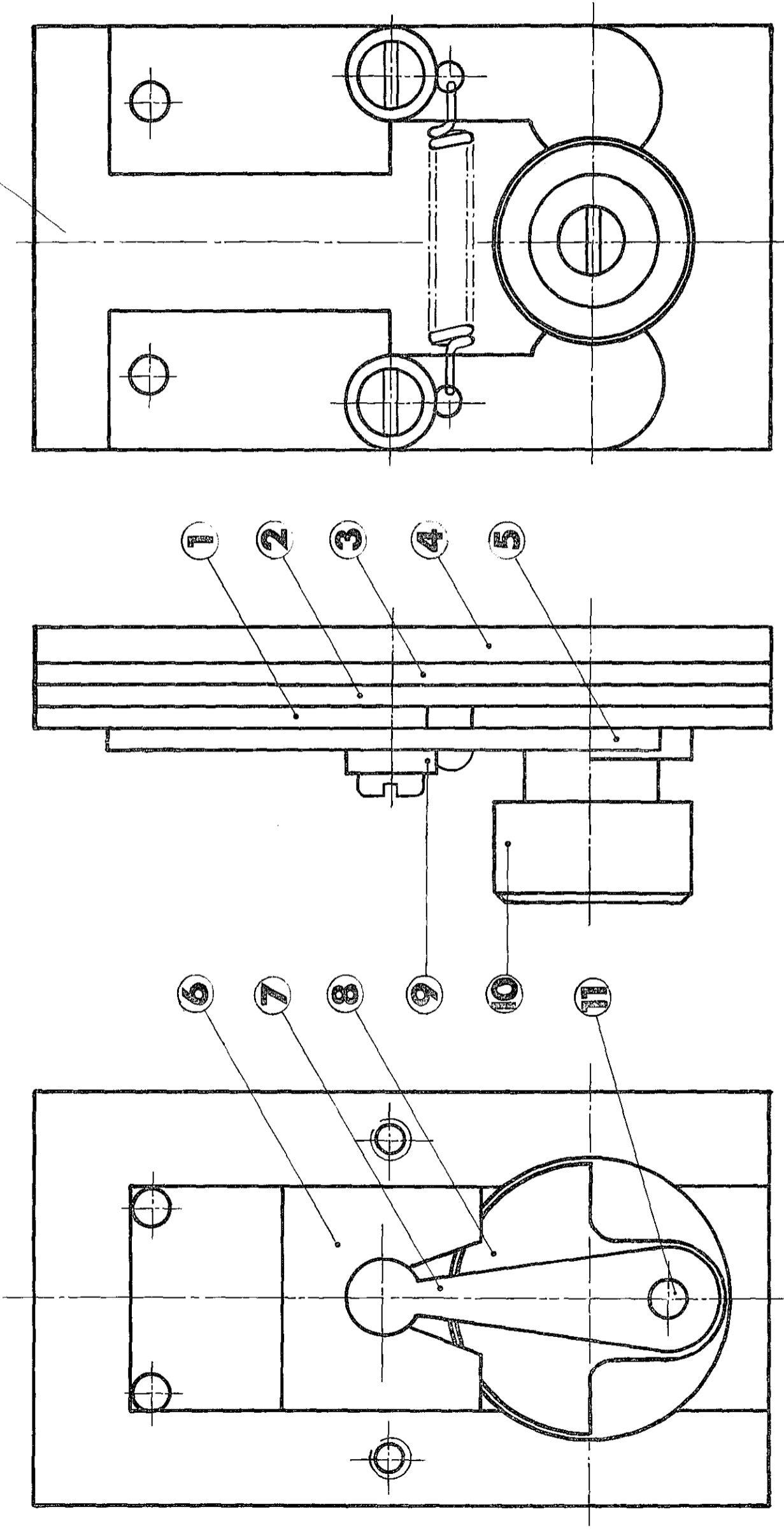
From the materials supplied, make the COMPRESSOR MODEL shown on the drawing to the shape and dimensions specified. Accuracy, finish and operation are important. Dimensions are in millimetres.

PART	MATERIAL	PROCESS
1	Bright Mild Steel	Mark out, drill and shape.
2	Aluminium	Mark out and drill.
3	Bright Mild Steel	Mark out, drill and shape.
4	Polycarbonate	Mark out, drill and cut screw threads.
5 (2 off)	Bright Mild Steel <u>or</u> Brass	Mark out, drill and shape.
6	Aluminium	Mark out, drill and shape.
7	Brass	Mark out, drill and shape.
8	Brass	Mark out, drill, shape and cut screw thread.

- NOTES:
- (i) Part 2 has been partially made prior to examination day.
 - (ii) Parts 9 and 10 have been made prior to examination day.

ASSEMBLY: Assemble parts as shown on the drawing using the screws supplied.

SCRÚDUMHIR
EXAM NO.



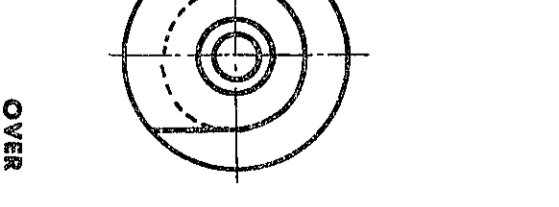
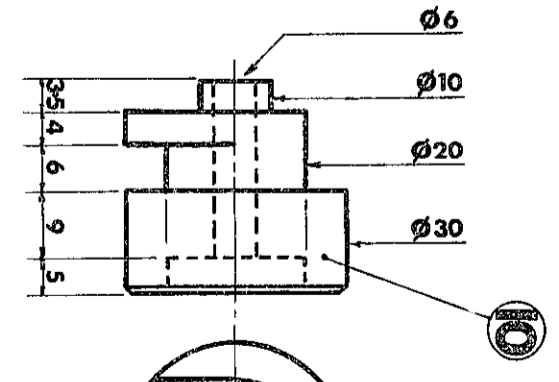
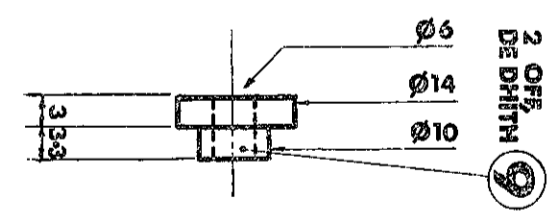
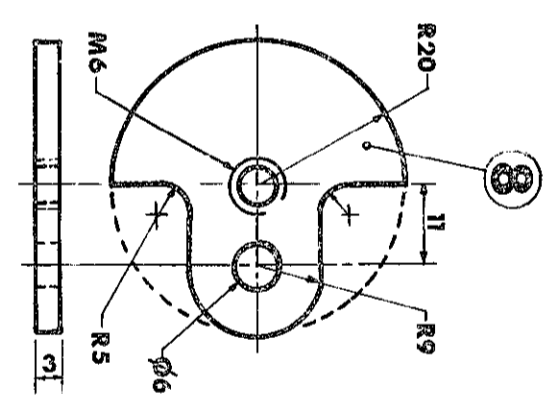
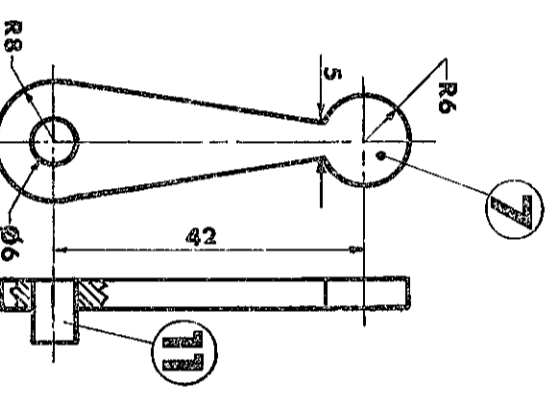
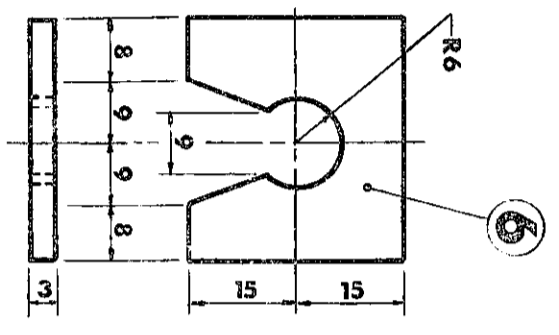
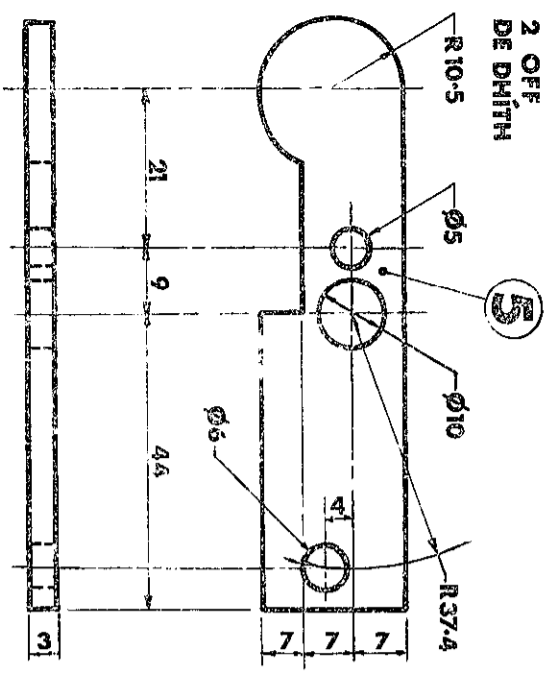
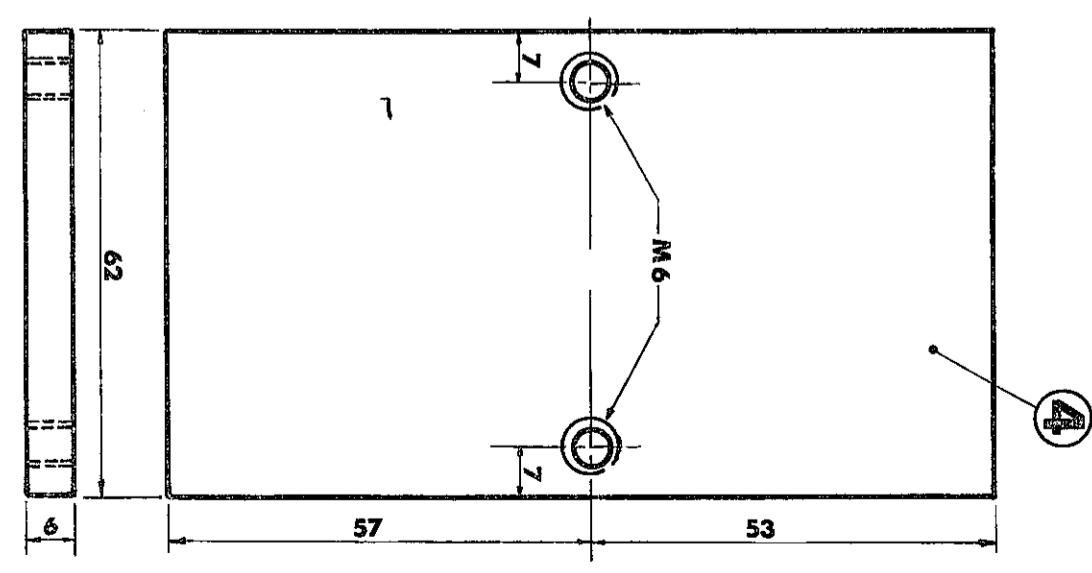
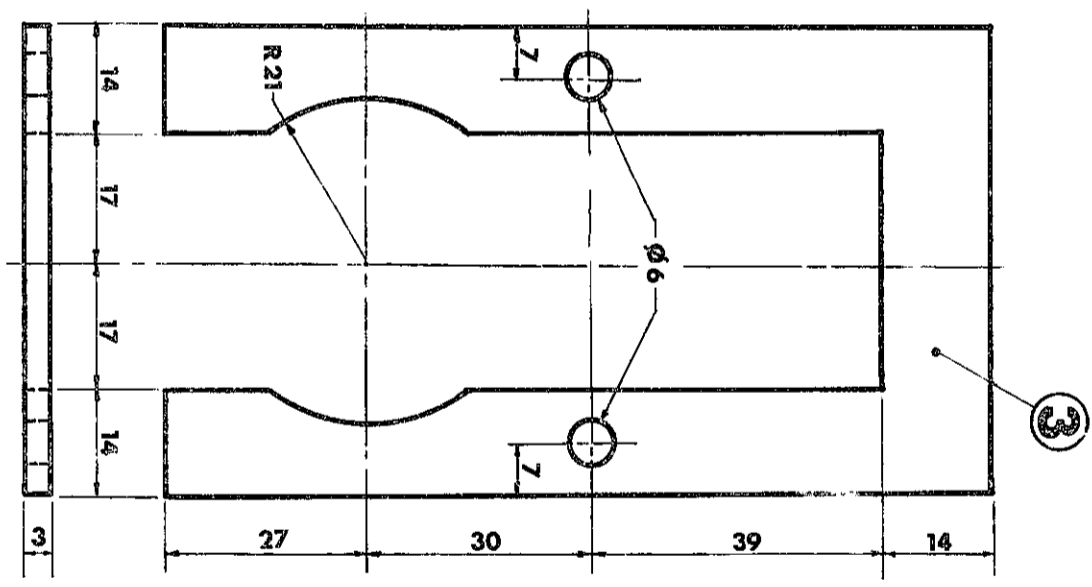
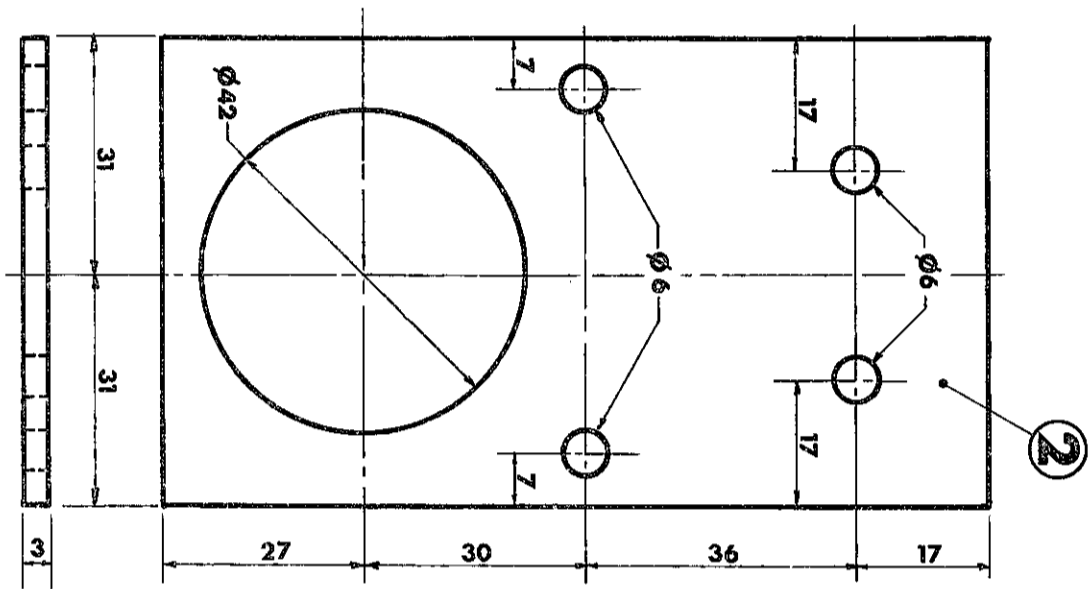
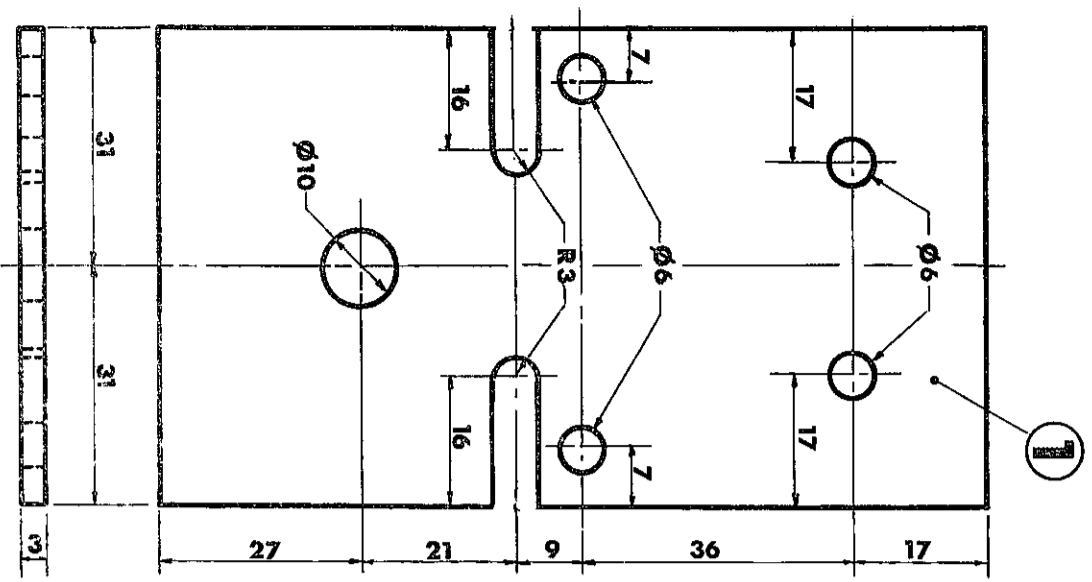
ASSEMBLY DETAILS
SONRAÍ CÓIMEÁLA

OVER
THALL

1996

AN ROINN OIDEACHAIS
SCRÚDÚ ARDTEISTIMÉIREACHTA
INNEALTOIREACHT — PRAITICIÚIL

M.74A.(L₂)



OVER THAIL