



Coimisiún na Scrúduithe Stáit
State Examinations Commission

Leaving Certificate Examination, 2015

Design & Communication Graphics
Ordinary Level

Section A (60 marks)

Wednesday, 17 June
Afternoon, 2:00 - 5:00

This examination is divided into three sections:

- SECTION A (Core - Short Questions)
 SECTION B (Core - Long Questions)
 SECTION C (Applied Graphics - Long Questions)

- SECTION A**
- Four questions are presented.
 - Answer **any three** on the A3 sheet overleaf.
 - All questions in Section A carry **20 marks** each.

- SECTION B**
- Three questions are presented.
 - Answer **any two** on drawing paper.
 - All questions in Section B carry **45 marks** each.

- SECTION C**
- Five questions are presented.
 - Answer **any two** (i.e. the options you have studied) on drawing paper.
 - All questions in Section C carry **45 marks** each.

General Instructions:

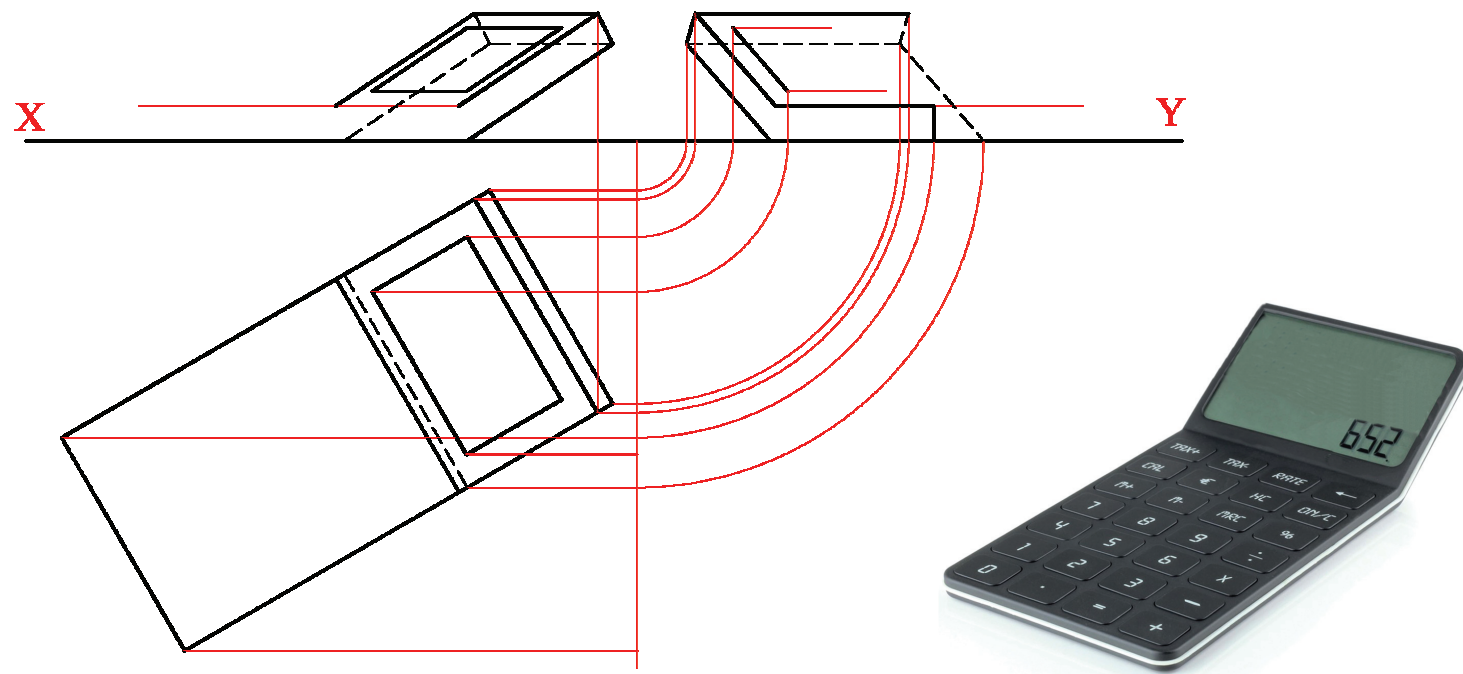
- *Construction lines must be shown on all solutions.*
- *Write the question number distinctly on the answer paper in Sections B and C.*
- *Work on one side of the drawing paper only.*
- *All dimensions are given in metres or millimetres.*
- *Write your Examination number in the box below and on all other sheets used.*

Examination Number:

SECTION A - Core - Answer any three of the questions on this A3 sheet.

A-1. The 3D graphic below shows an image of a calculator. The plan and partially completed elevation and end view are also shown.

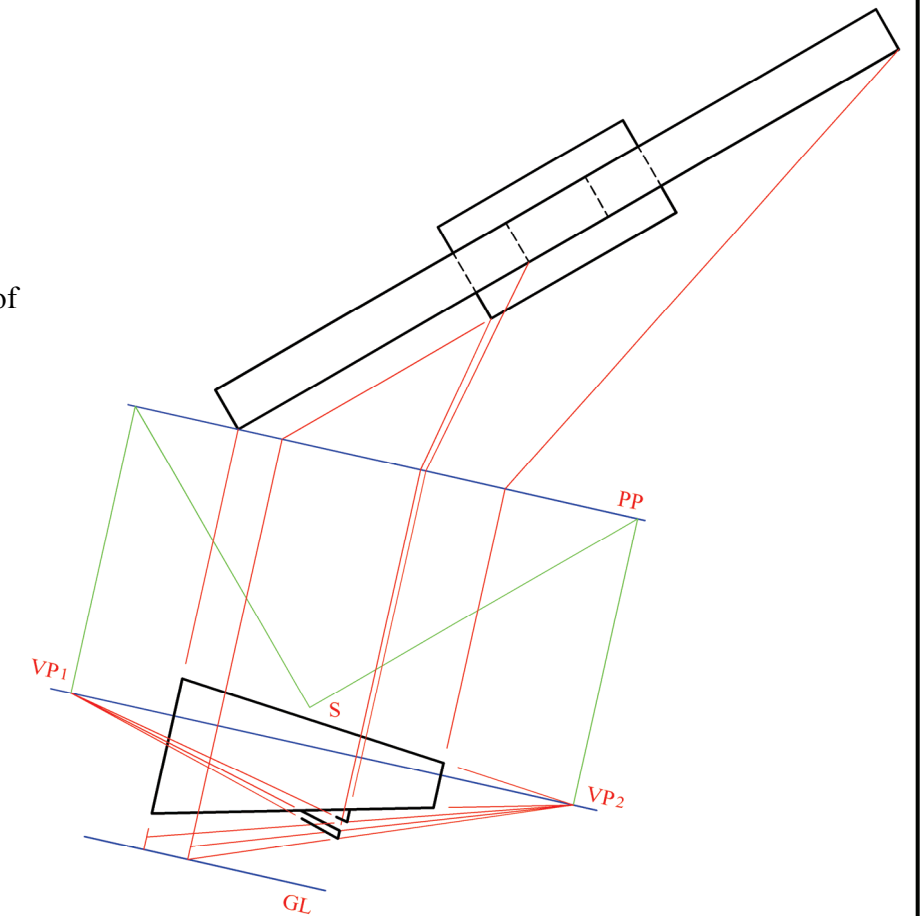
- (a) Complete the elevation of the calculator.
- (b) Complete the end view of the calculator.



A-3. The 3D graphic below shows a widescreen plasma TV on a rectangular stand.

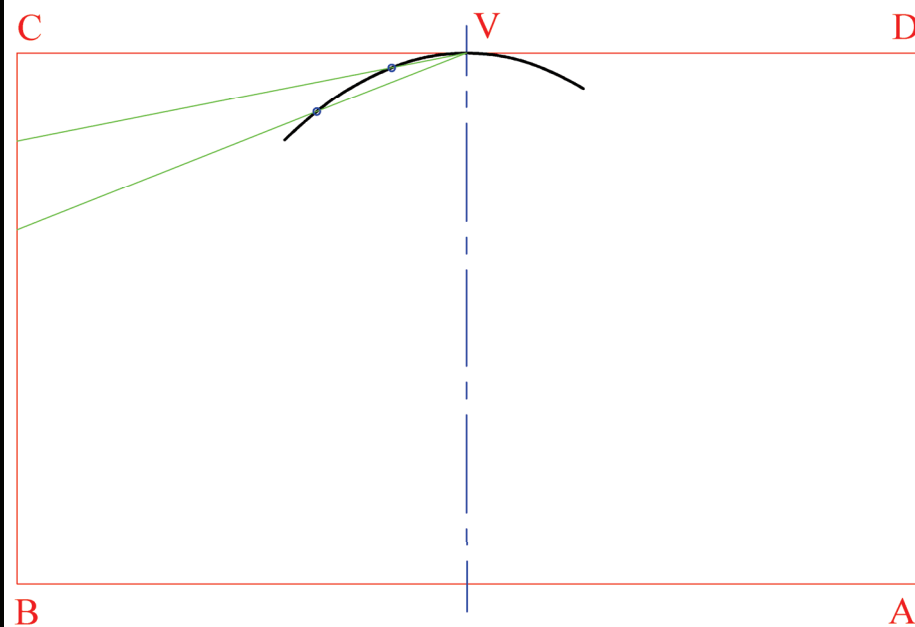
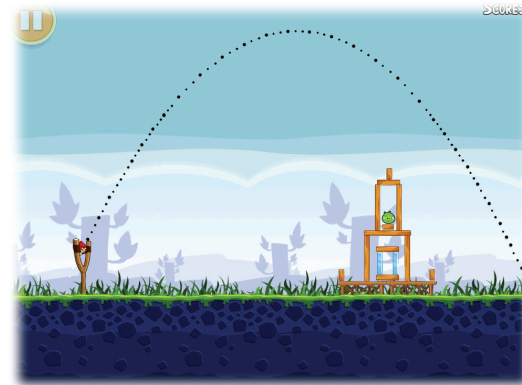
The drawing on the right shows the plan and a partially completed perspective drawing of the TV.

Complete the perspective drawing of the TV and stand.



A-2. The graphic on the right shows an image from the 'Angry Birds' computer game. The curve is in the shape of a parabola. The drawing below shows a portion of a parabola inscribed in a rectangle ABCD. V is the vertex of the parabola.

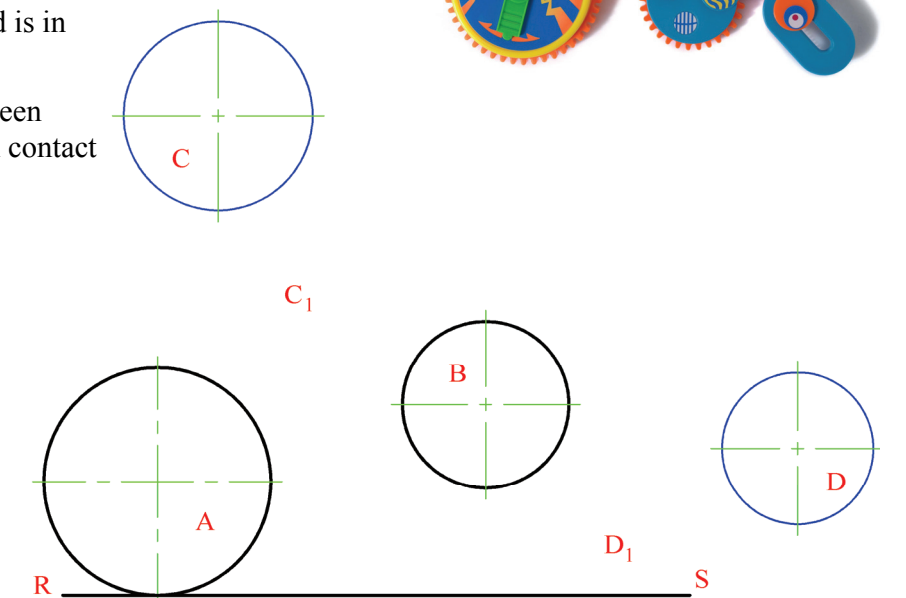
- (a) Locate the remaining points on the parabola.
- (b) Draw the complete parabola.



A-4. The drawing below shows an arrangement of circles similar to those in the toy on the right.

The horizontal line RS and circles A and B are in fixed positions as shown. Circles C and D are free to move.

- (a) Redraw circle C when it has been moved to position C₁ and is in contact with circles A and B.
- (b) Redraw circle D when it has been moved to position D₁ and is in contact with circle B and the line RS.
- (c) Show all points of contact.



This Contour Map is part of Section C and should only be used for the answering of the Geologic Geometry Option (Question C-1).

(Scale 1:1000)

