



Scrúdú Ardteistiméireachta, 2015
Leaving Certificate Examination, 2015

Staidéar Foirgníochta
Triail Phraiticiúil

Construction Studies
Practical Test

(150 marc/marks)

Duration: 4:00 hours

Fad: 4:00 uair an chloig

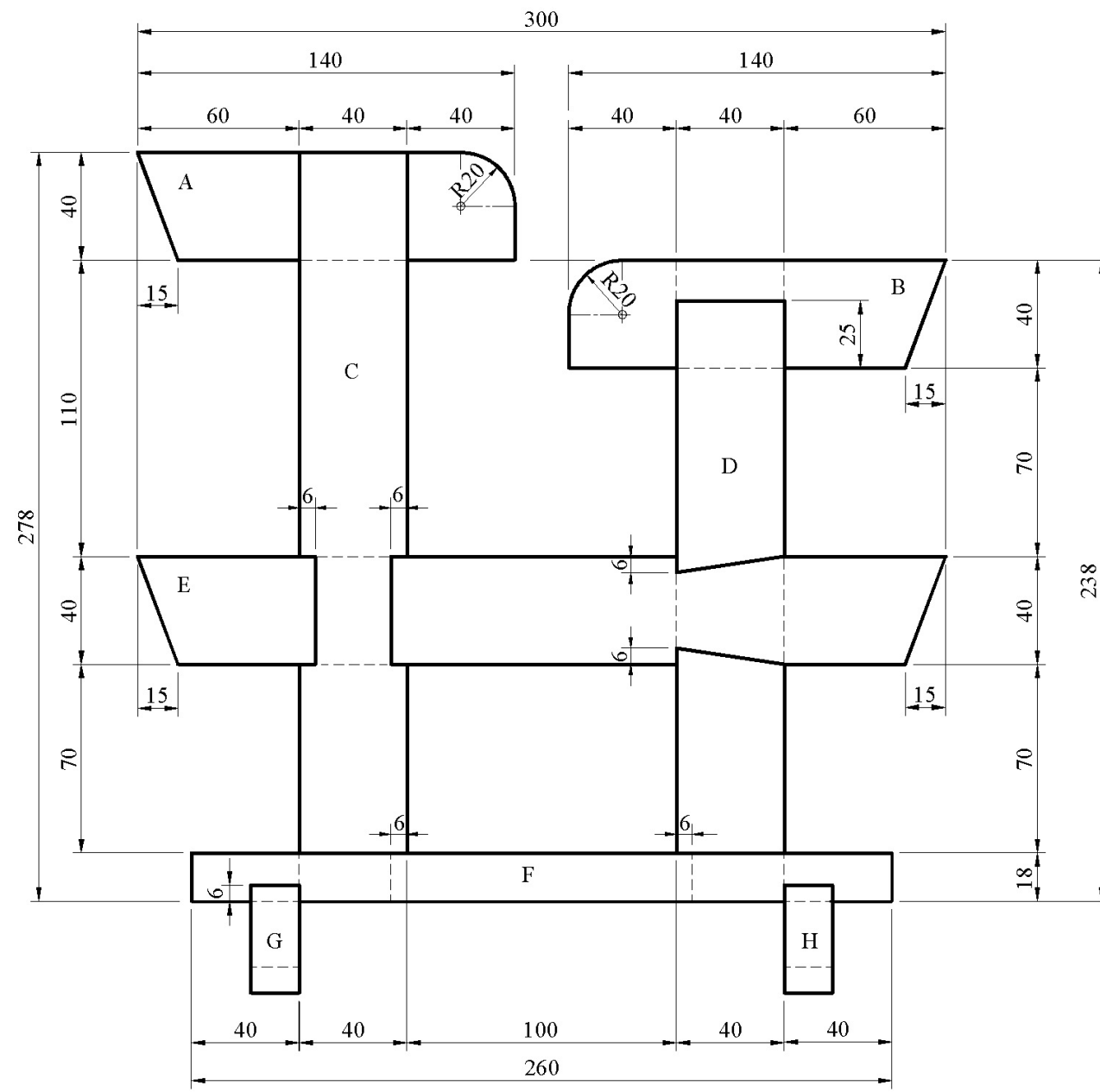
Note: For clarity, some hidden detail has been omitted from this drawing.

Nóta: Tá roinnt sonraí fágtha ar lár as an líníocht seo ar mhaithe le soiléireacht.

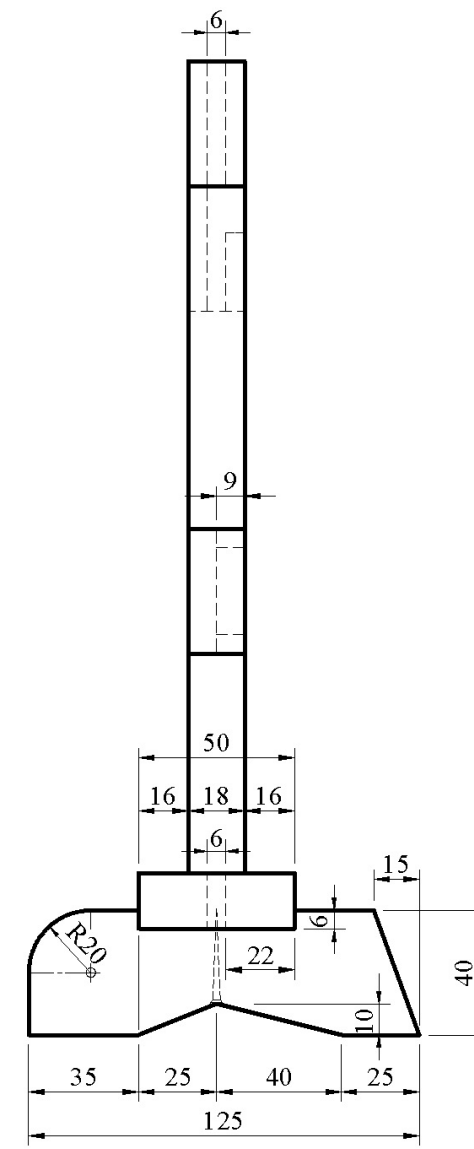
Hand up this examination paper to the **Superintendent** at the end of examination.
Tabhair ar ais an scrúdpháipéar seo don **Fheitheoir** ag deireadh an scrúdaithe.



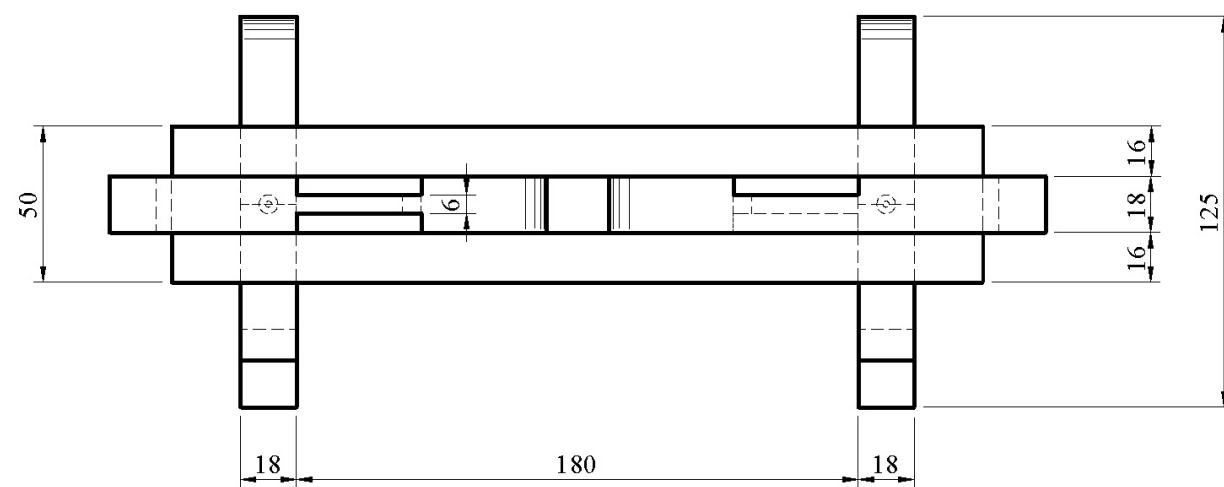
Stand for Headphones Seastán do Chluasáin



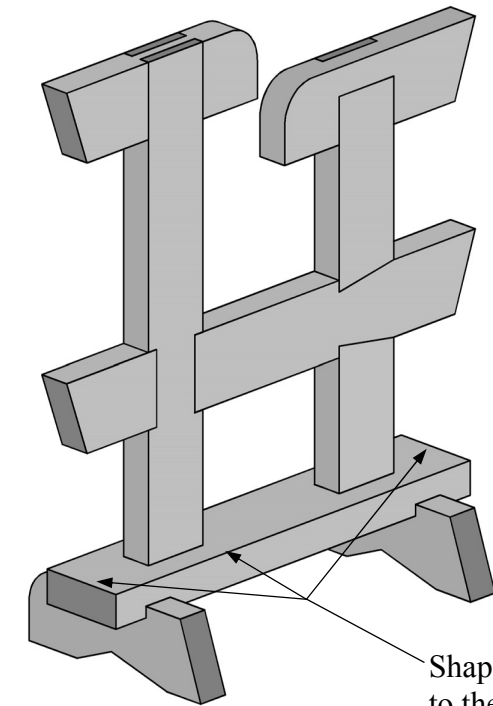
Elevation / Aghaidhchló



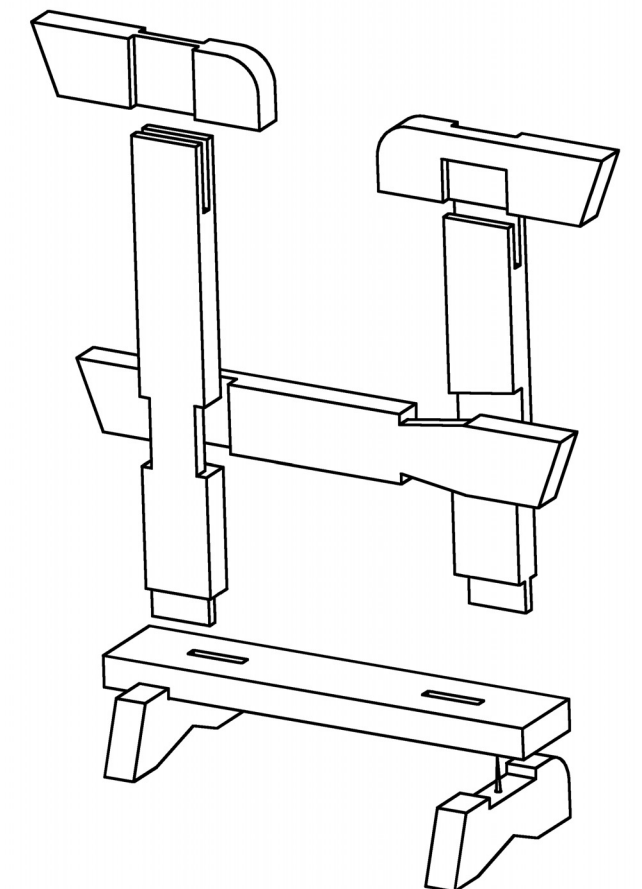
End View / Taobhchló



Plan / Bonnchló



Shaping of edges is left to the candidate.
Fágfar faoin iarrthóir na corra a chríochnú go cúí.



Note: Hand up this examination paper to the **Superintendent** at the end of the examination.

Nóta: Tabhair ar ais an scrúdpháipéar seo don **Fheitheoir** ag deireadh an scrúdaithe.

Hand up this examination paper to the
Superintendent at the end of the examination.

Tabhair ar ais an scrúdpháipéar seo don
Fheitheoir ag deireadh an scrúdaithe.