



Junior Certificate Examination, 2014

Materials Technology (Wood)
Ordinary Level
Section A (40 marks)

Monday, 16 June
Afternoon, 2:00 - 4:00

Instructions

- (a) Answer any **sixteen** questions.*
- (b) All questions carry equal marks.*
- (c) Answer the questions in the spaces provided.*
- (d) This booklet **must** be handed up at the end of the examination.*
- (e) Write your examination number in the box provided and on all other pages used.*

Examination Number:

Centre Number

Section A	
1	
2	
3	
4	
5(a) or 5(b)	
Total	

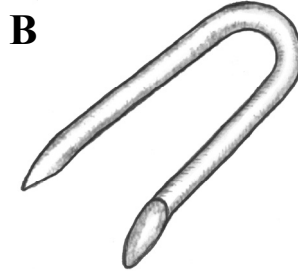
SECTION A - 40 MARKS

Answer any 16 questions from this section.
All questions carry equal marks.

1. From the given list, select the correct name for the nails shown.



Nail A



Nail B

Corrugated fastener
Panel pin
Round wire nail
Staple
Cut tack

2. Name the tool labelled **A** and explain what you would use it for.

NAME

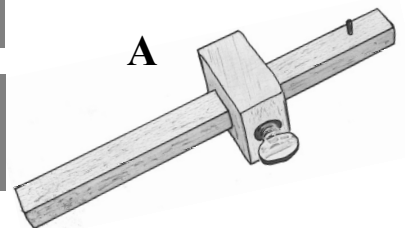
USE

OR

Name the tool labelled **B** and explain what you would use it for.

NAME

USE



3. The diagram shows a piece of wood with the face edge mark on it.

Draw the mark for the face side in its correct place on the diagram.



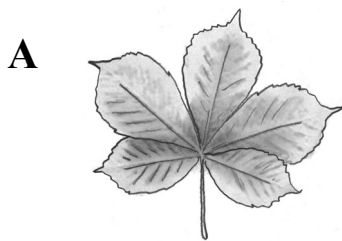
4. Name the fitting shown and explain what you would use it for.



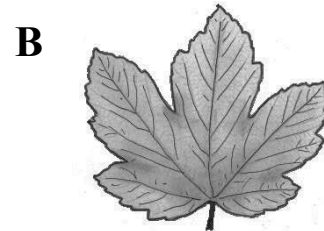
NAME

USE

5. The diagrams A and B show the leaves from two common Irish trees. Select the correct name for each tree from the given list.



- Pine
- Oak
- Sycamore
- Ash
- Horse Chestnut



TREE A

TREE B

6. Name the power tool shown in the diagram.



NAME

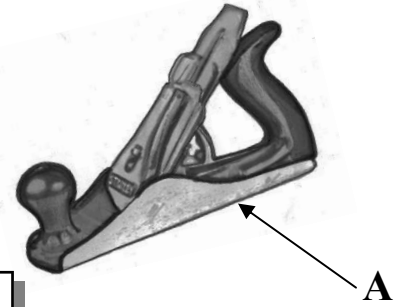
7. List **two** safety precautions that should be observed when using portable electric power tools.



1.

2.

8. What is the correct name for the bottom surface of a plane, as shown at A in the sketch?



NAME

9. The diagram shows the cross section of a tree. Name the darker coloured wood shown at A.

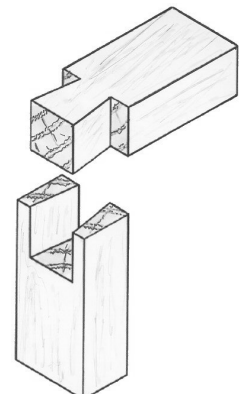


NAME

10. Show, by means of a tick (✓), which of the saws on the left are normally used to make straight cuts and which are normally used to make curved cuts.

	Straight Cuts	Curved Cuts
Coping saw		
Tenon saw		
Dovetail saw		
Scroll saw		
Compass saw		

11. Name the joint shown, which is commonly used in furniture making.



NAME

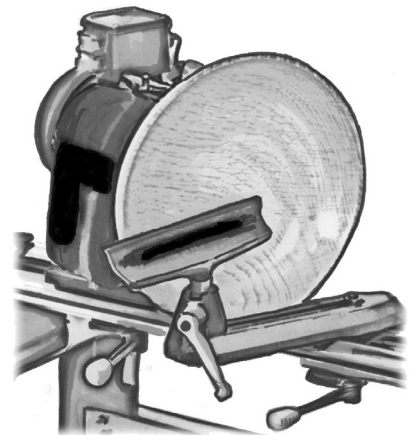
12. Why are the ends of wooden planks usually painted before seasoning?

ANSWER



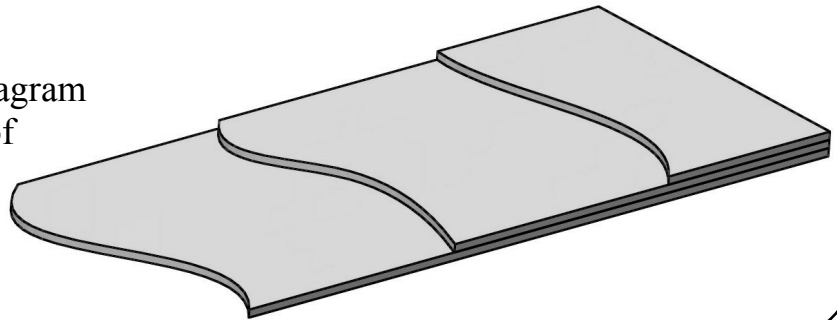
13. When turning a large wooden bowl on a lathe, should the lathe speed be set at **fast** or **slow**?

ANSWER



14. Plywood is formed by gluing veneers of wood together, as shown in the diagram.

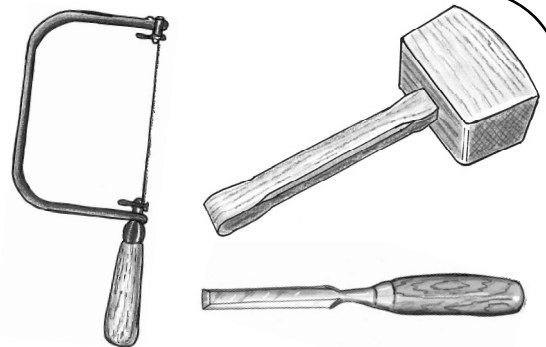
Draw arrows on the diagram to show the direction of the grain on each layer.



15. Beech is often used to make the handles of common woodworking tools.

List **one** property of beech which makes it suitable for this use.

PROPERTY



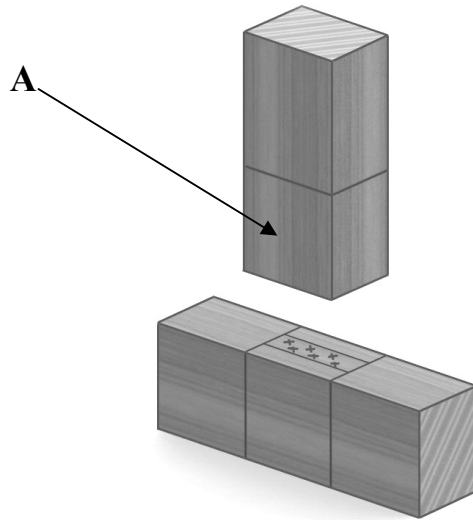
16. Why is it better to use wire wool rather than sandpaper when sanding between coats of varnish?



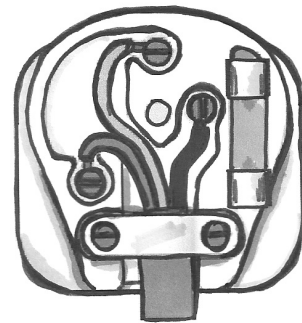
ANSWER

17. The diagram shows the incomplete marking out for a **mortise and tenon joint**.

Complete the diagram of the marking out on part A.

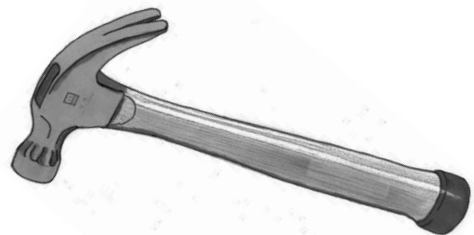


18. Use a circle to indicate the neutral terminal of the plug-top in the diagram.



19. The diagram shows a claw hammer.

What is the claw of the hammer normally used for?



USE

20. The diagram shows a watch which is made from wood. The gears and cogs have been cut using a laser cutting machine.

Give **one** advantage of using a laser cutter to cut the gears shown.



ADVANTAGE

This booklet must be handed up at the end of the examination.

Blank Page