



Junior Certificate Examination 2008

Materials Technology (Wood)
Ordinary Level
Section A (40 Marks)

Monday 16 June
Afternoon, 2.00 to 4.00

Instructions

- (a) Answer any **sixteen** questions.
- (b) All questions carry equal marks.
- (c) Answer the questions in the spaces provided.
- (d) This booklet **must** be handed up at the end of the examination.
- (e) Write your examination number in the box provided and on all other pages used.

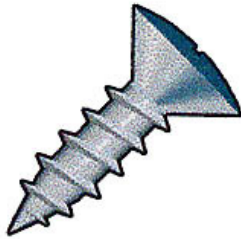
Examination Number:

Centre Number	
Section A	
1	
2	
3	
4(a) or (b)	
5	
Total	

SECTION A - 40 MARKS

Answer any 16 questions from this section. All questions carry equal marks.

1. From the list given, identify the screw type shown.



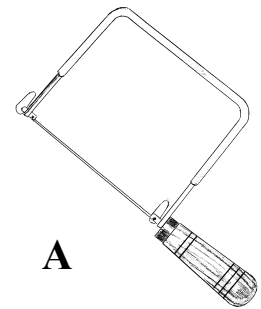
Round Head Screw
Countersunk Head Screw
Raised Head Screw

NAME

2. Name the tool labelled **A** in the diagram and give its use.

NAME

USE

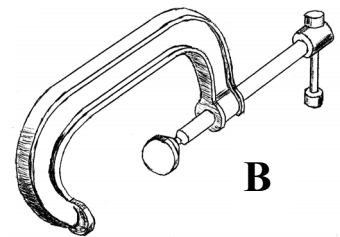


OR

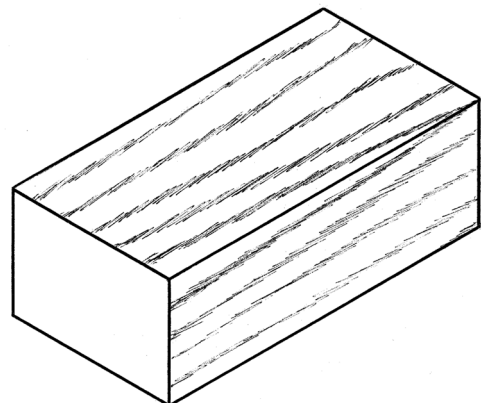
Name the tool labelled **B** in the diagram and give its use.

NAME

USE

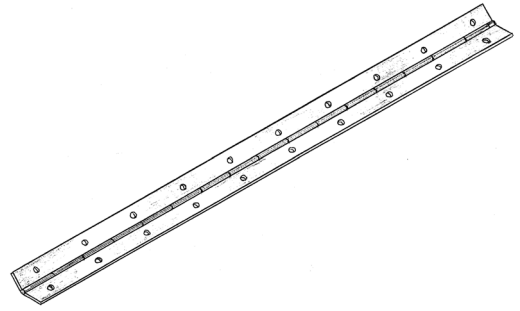


3. An unfinished diagram of a block of wood is shown.
Draw in the end grain.



4. Name the fitting shown and give its correct use.

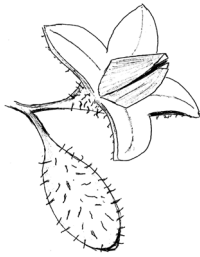
NAME



USE

5. State from which trees in the list these seeds come.

A



B

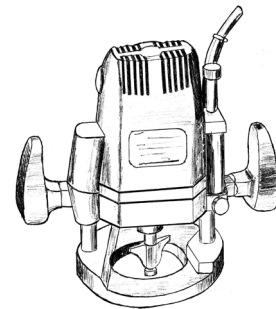


Sycamore
Pine
Holly
Horse Chestnut
Beech
Ash

NAME A

NAME B

6. Name the power tool shown in the diagram.



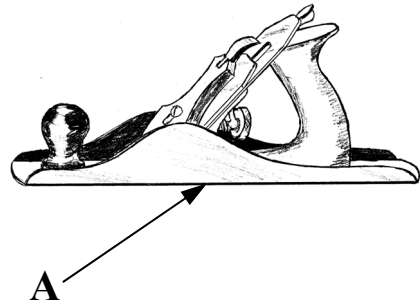
NAME

7. List **two** safety precautions that should be observed when carrying a chisel in the classroom.

1.

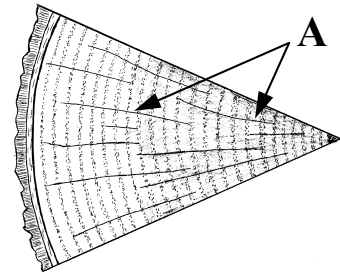
2.

8. What is the bottom surface of a plane, shown at A, called?



ANSWER

9. The diagram shows part of the cross section of a tree.
Give the full name for the cells shown at A, radiating from the tree centre.



NAME

10. Show by means of a tick (✓) into which group each of these tools belong.

TOOLS

Veiner

Roughing Gouge

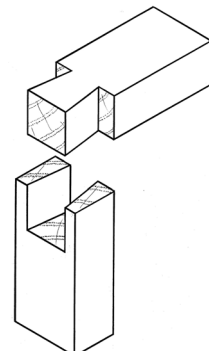
Parting Tool

V-Tool

Spindle Gouge

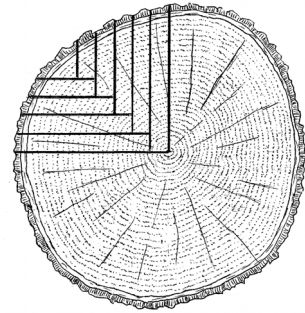
	Lathe Tools	Carving Tools

11. Name the joint shown.



NAME

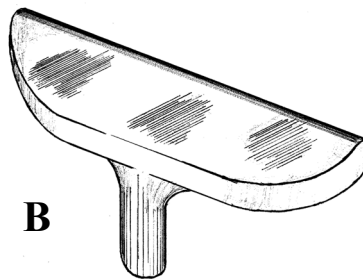
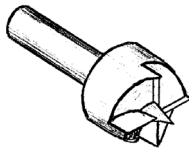
12. Name this method of conversion.



ANSWER

13. From the list given, name the lathe equipment shown at A and B.

A



B

**FORKED CENTRE
TAILSTOCK
CALIPERS
TOOLREST
HEADSTOCK**

A

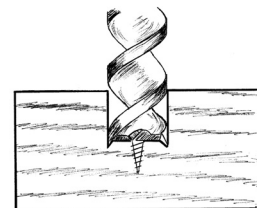
B

14. Give one function of the leaves of a tree.



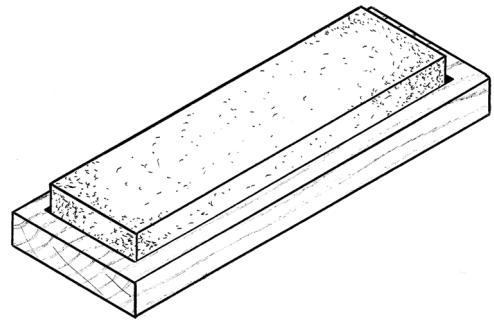
ANSWER

15. How do you prevent a drill bit from damaging a board when drilling through the board?



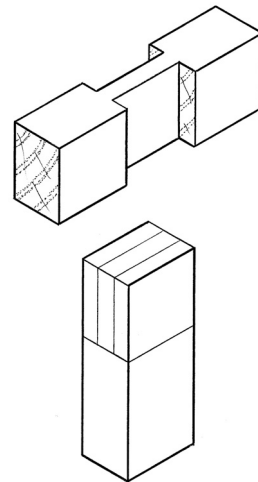
ANSWER

16. What is the name of the object shown in the diagram?

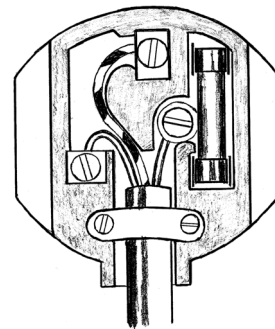


NAME

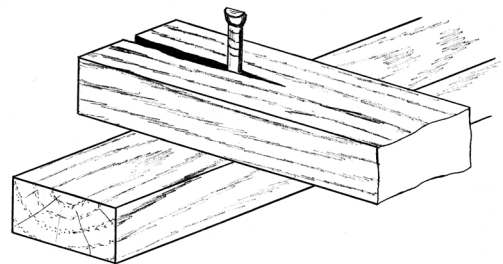
17. Complete the diagram of the bridge joint shown.



18. Using an arrow, indicate the earth terminal on the diagram.



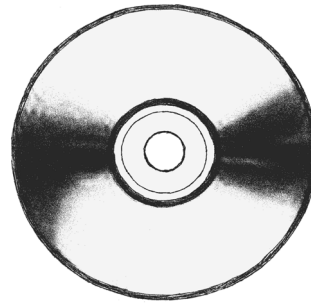
19. Suggest **two** possible reasons why a nail splits the wood when being driven.



1.

2.

20. Give one advantage that a CD (Compact Disk) has over a floppy disk when storing files from a computer.



Compact disk



Floppy disk

ANSWER

This booklet must be handed up at the end of the examination.

BLANK PAGE