



UNIVERSITY OF CAMBRIDGE INTERNATIONAL EXAMINATIONS  
International General Certificate of Secondary Education

---

**GEOGRAPHY**

**0460/43**

Paper 4 Alternative to Coursework

**May/June 2012**

INSERT

**1 hour 30 minutes**

---

**READ THESE INSTRUCTIONS FIRST**

This Insert contains Fig. 2 for Question 1 and Figs 5 and 6 for Question 2.

The Insert is **not** required by the Examiner.

---

This document consists of **3** printed pages and **1** blank page.



Fig. 2 for Question 1

Measuring equipment

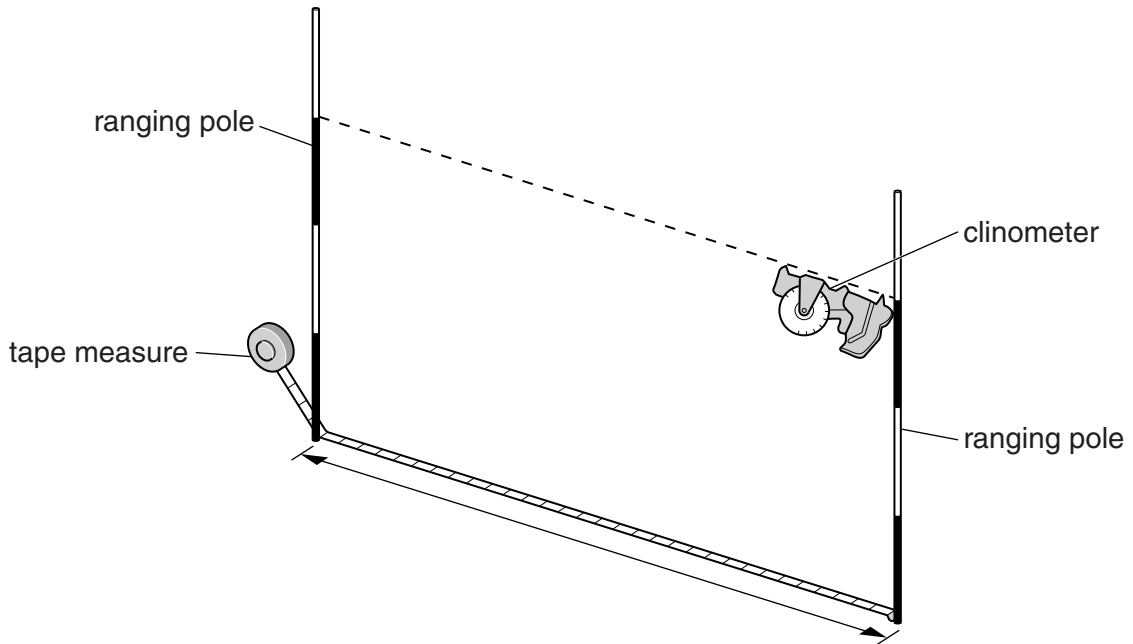


Fig. 5 for Question 2

Textbook model of land use

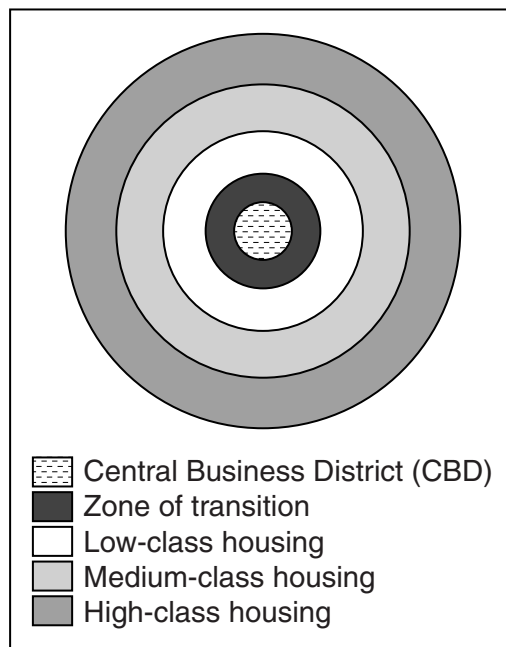
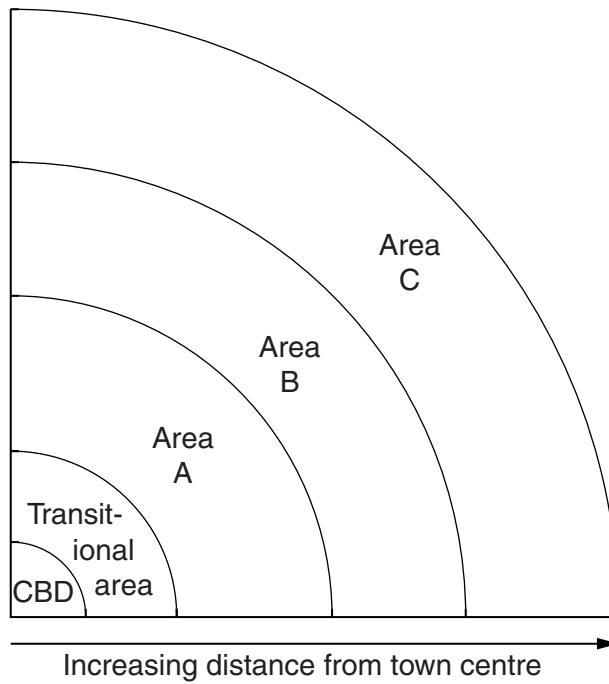


Fig. 6 for Question 2

**Different housing areas  
used in the survey****Key**

- Area A: terraced houses built around 1900
- Area B: semi-detached houses built in the 1930s
- Area C: detached houses built since 2000

**BLANK PAGE**

---

Permission to reproduce items where third-party owned material protected by copyright is included has been sought and cleared where possible. Every reasonable effort has been made by the publisher (UCLES) to trace copyright holders, but if any items requiring clearance have unwittingly been included, the publisher will be pleased to make amends at the earliest possible opportunity.

University of Cambridge International Examinations is part of the Cambridge Assessment Group. Cambridge Assessment is the brand name of University of Cambridge Local Examinations Syndicate (UCLES), which is itself a department of the University of Cambridge.