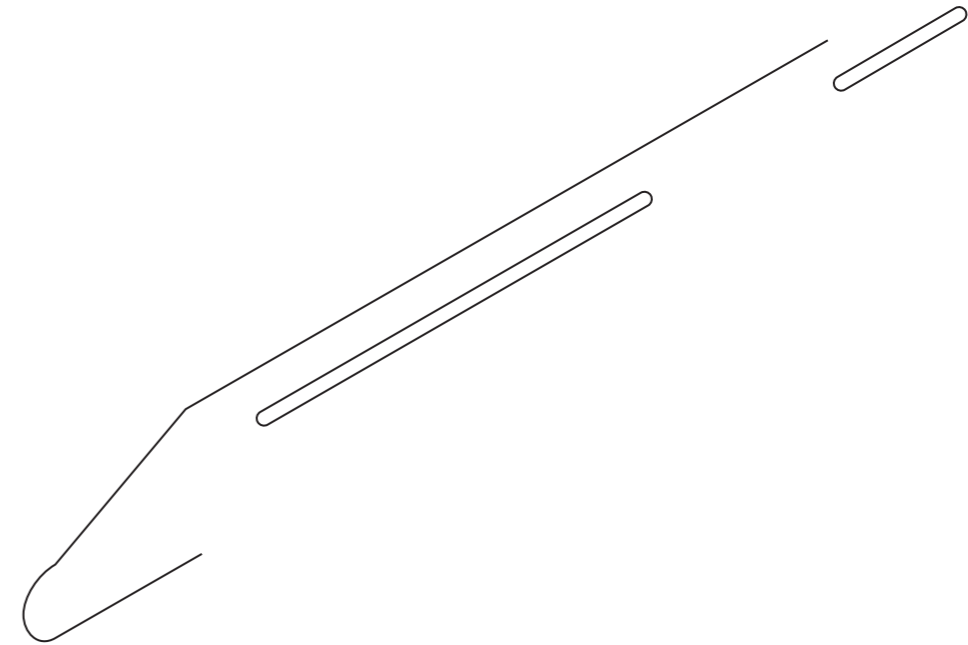
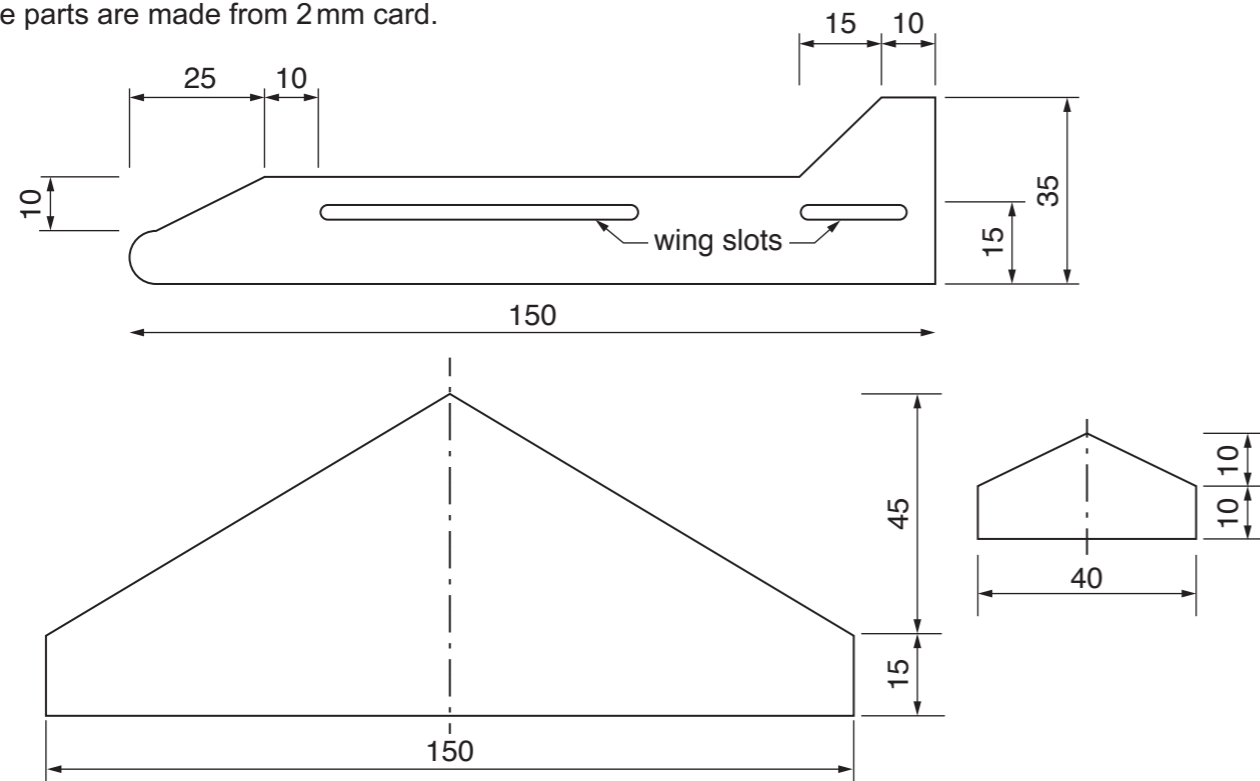


Section A

Answer **all** questions in this section.

A1 Parts of a model aeroplane are shown below.
The parts are made from 2 mm card.



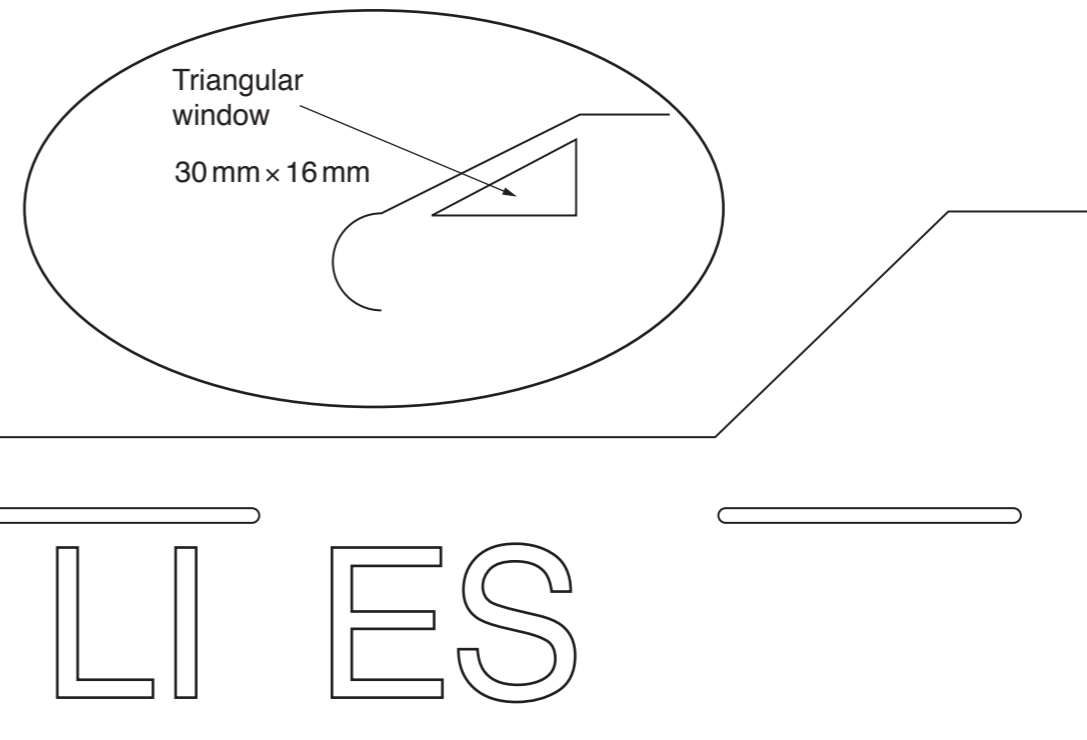
In the space provided complete the full size isometric view of the assembled model aeroplane.

[12]

A2 Details of the window and logo are to be printed on to the fuselage of the plane.

Complete the details on the fuselage below by adding:

- (a) the CIE AIRLINES lettering; [2]
- (b) the triangular cockpit window. [1]



0445/21 Oct/Nov 2018 **1 hour**
© UCLES 2018 DC (LEG/SG) 146129/2

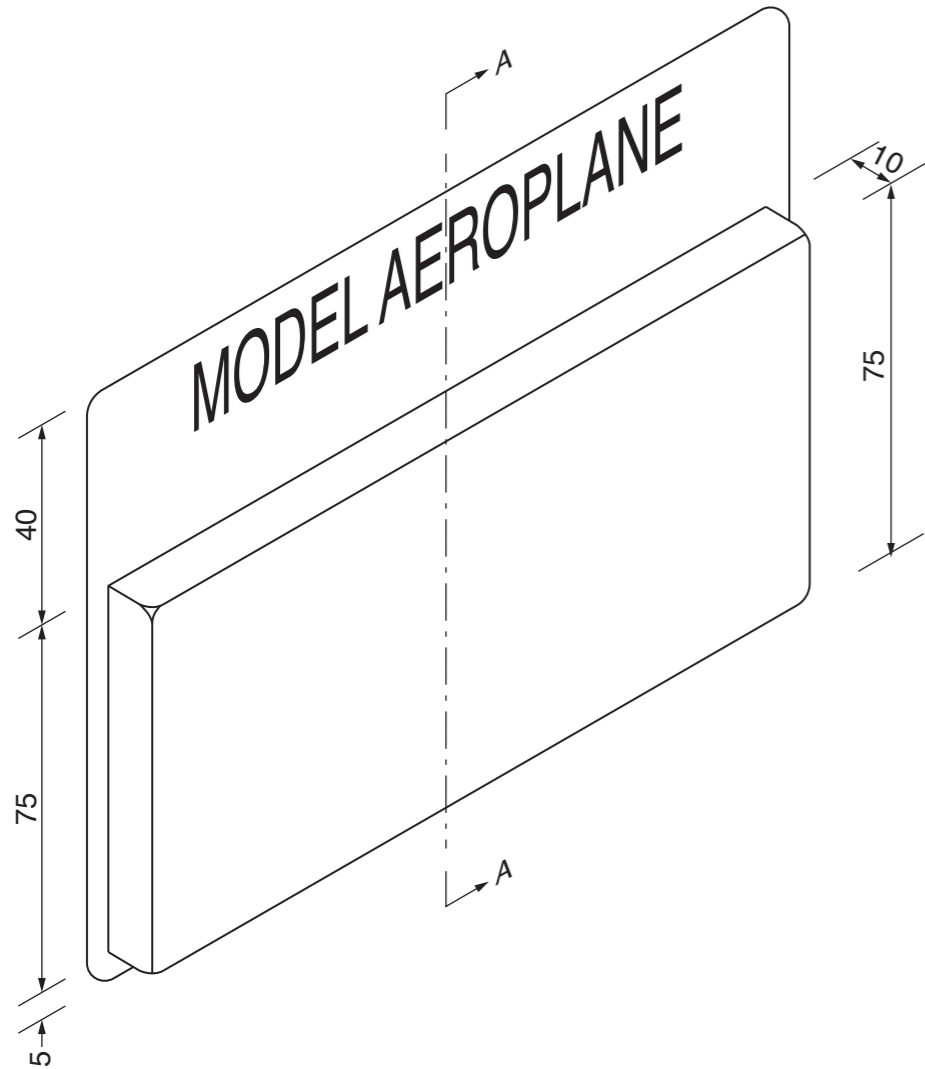
Centre Number Candidate Number Candidate Surname Other Names **[Turn over**

For Examiner's use

A3 The aeroplane parts are packaged and sold in a blister pack.

The blister pack is shown below.

The backing card is 1 mm thick.



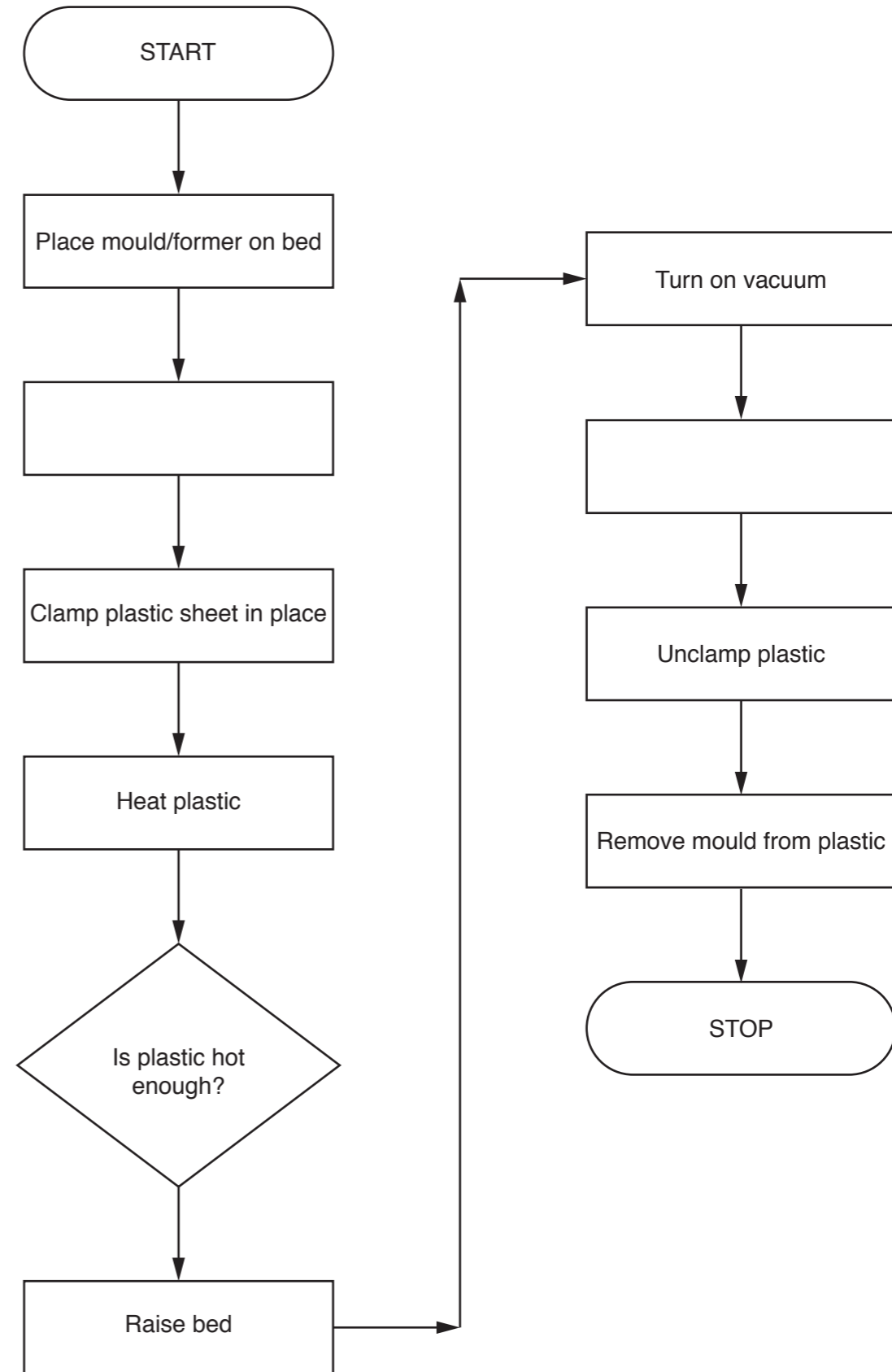
(a) In the space to the right complete the sectional view A-A through the blister pack to a scale of 2:1. [6]

(b) State a suitable material for the plastic blister.

.....
 [1]

Section A-A

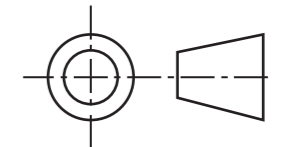
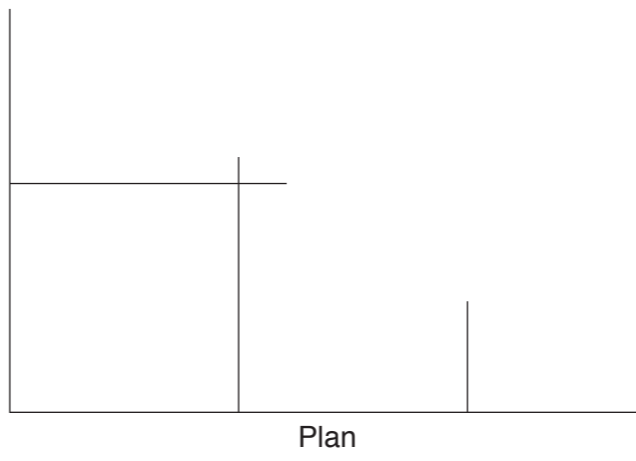
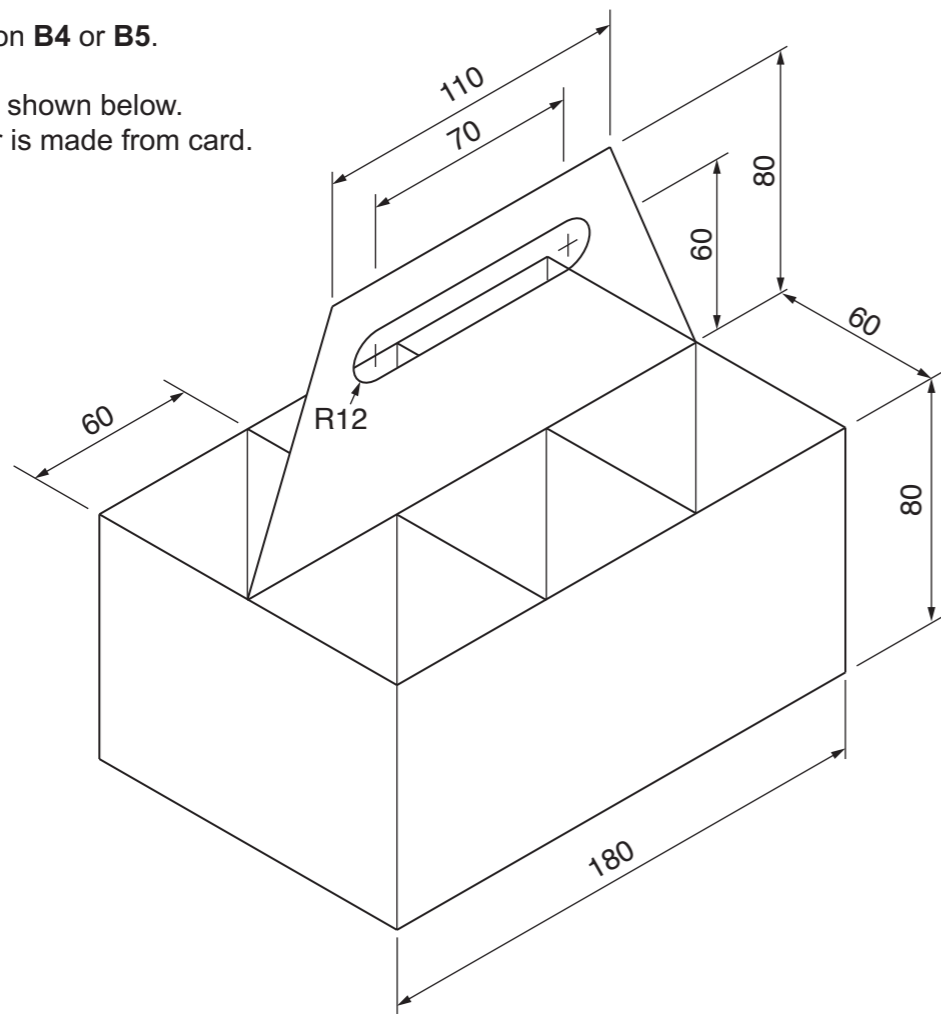
(c) In the space below complete the flowchart of the vacuum forming process. [3]



Section B

Answer **either** question **B4** or **B5**.

B4 A bottle carrier is shown below.
The bottle carrier is made from card.



(a) Complete the half scale orthographic views of the bottle carrier in the space provided.

Ignore the card thickness.

[15]

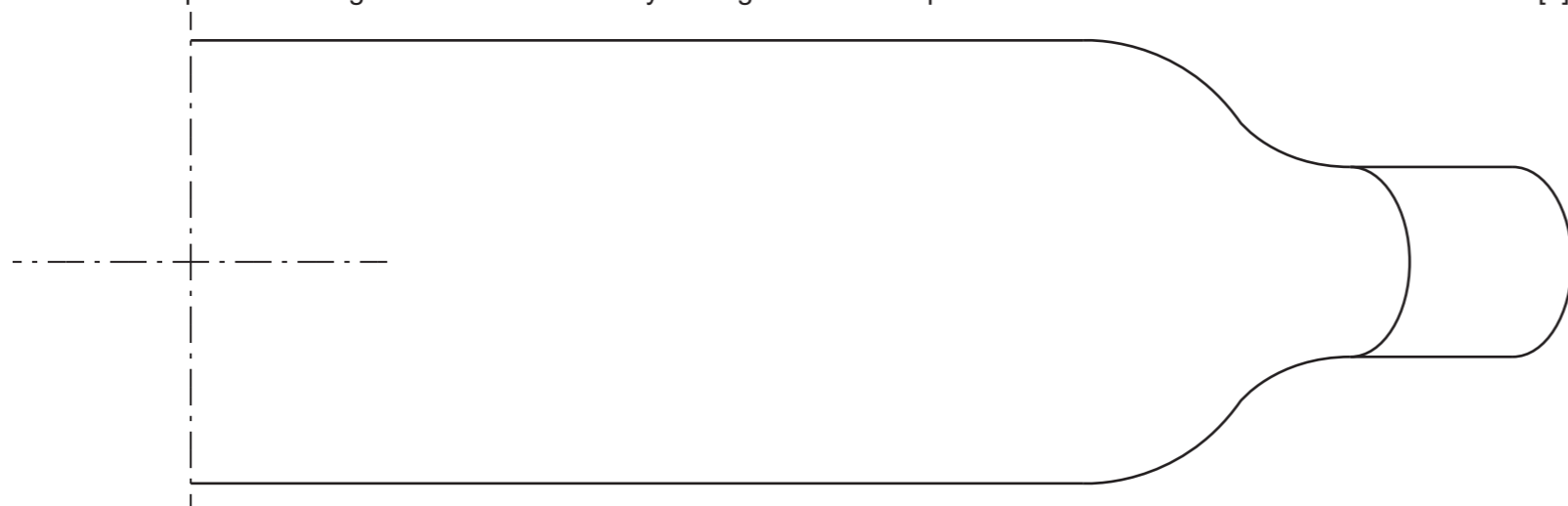
Front view

Side view

(b) An image of a bottle is to be printed on the side of the bottle carrier.

Complete the image of the bottle below by adding a suitable ellipse on the base of the bottle.

[7]



(c) The bottle image is created on computer using a CAD program.

(i) What do the letters CAD stand for?

C A D [1]

(ii) The image of the bottle is saved as a bitmap image.
State **one** advantage and **one** disadvantage of using bitmap images compared to jpeg images.

Advantage:

.....

Disadvantage:

..... [2]

For
Examiner's
use

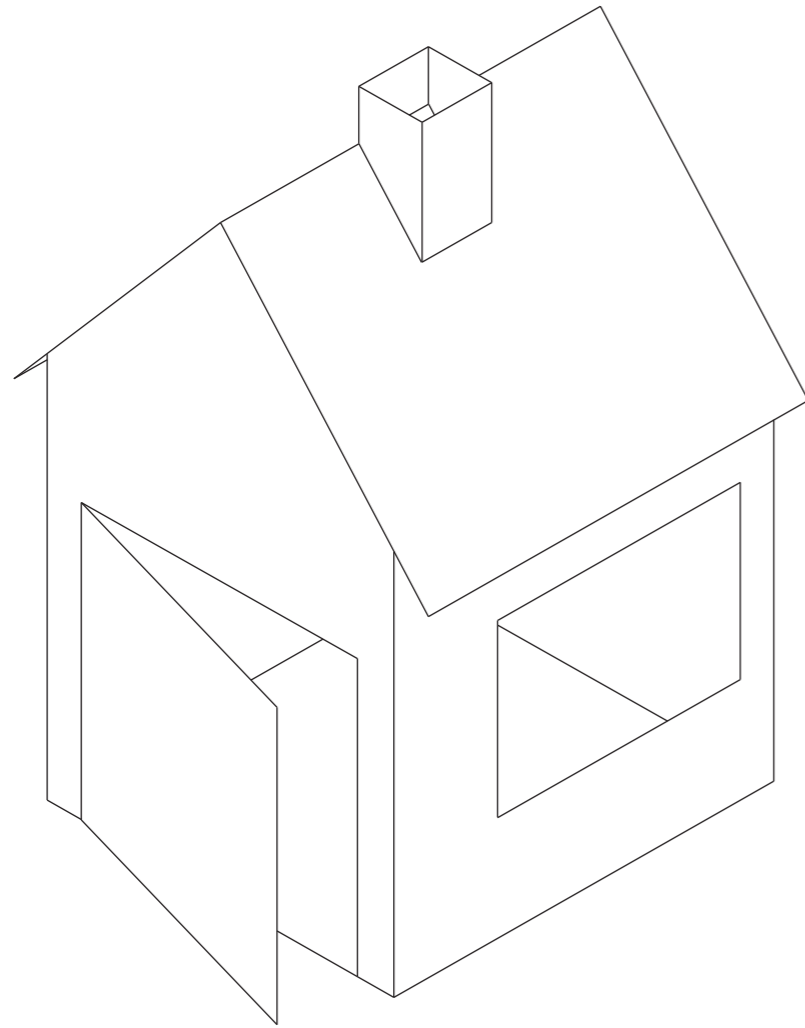
0445/21 Oct/Nov 2018 **1 hour**
© UCLES 2018 DC (LEG/SG) 146129/2

Centre Number Candidate Number Candidate Surname Other Names **[Turn over**

B5 A child's playhouse is shown below.
The playhouse is made from corrugated cardboard.

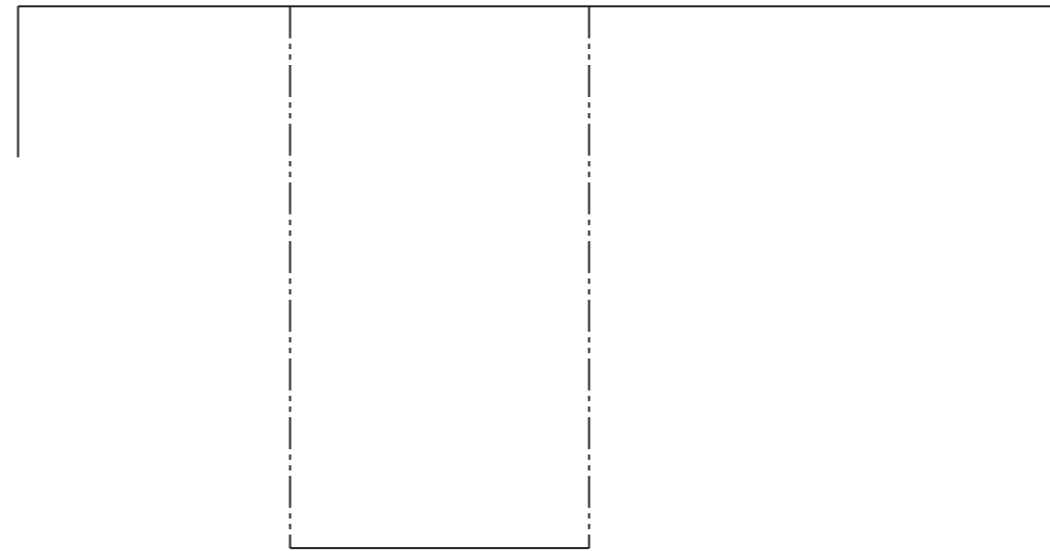
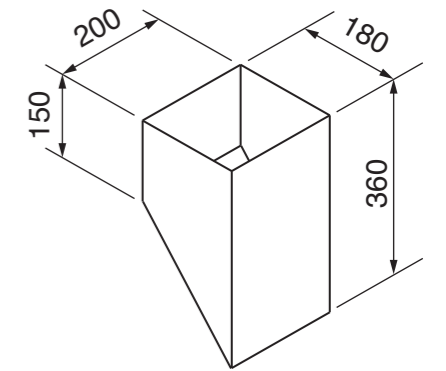
(a) Apply thick and thin line technique to the playhouse.

[11]



(b) Dimensions of the chimney are shown opposite.
Complete the development (net) of the chimney below to a scale of 1:5.

[6]



(c) Complete the single-point perspective of the playhouse below.

[8]

