



**Cambridge International Examinations**  
Cambridge International General Certificate of Secondary Education

CANDIDATE  
NAME

--

CENTRE  
NUMBER

--	--	--	--	--

CANDIDATE  
NUMBER

--	--	--	--



**COMBINED SCIENCE**

**0653/23**

Paper 2 (Core)

**October/November 2014**

**1 hour 15 minutes**

Candidates answer on the Question Paper.

No Additional Materials are required.

**READ THESE INSTRUCTIONS FIRST**

Write your Centre number, candidate number and name on all the work you hand in.

Write in dark blue or black pen.

You may use a soft pencil for any diagrams or graphs.

Do not use staples, paper clips, glue or correction fluid.

**DO NOT WRITE IN ANY BARCODES.**

Answer **all** questions.

Electronic calculators may be used.

You may lose marks if you do not show your working or if you do not use appropriate units.

A copy of the Periodic Table is printed on page 24.

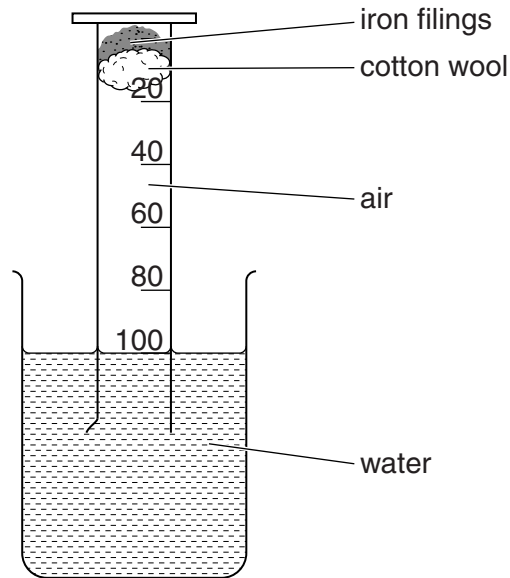
At the end of the examination, fasten all your work securely together.

The number of marks is given in brackets [ ] at the end of each question or part question.

This document consists of **23** printed pages and **1** blank page.

1 A student performs some experiments to find out what makes iron rust.

(a) Fig. 1.1 shows his first experiment.

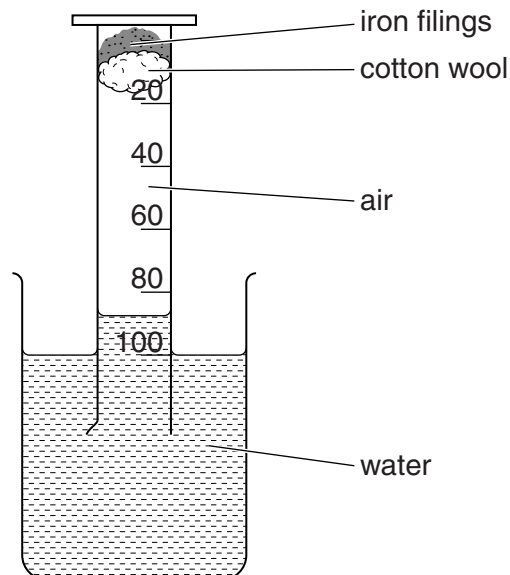


**Fig. 1.1**

The student makes sure that the water levels inside and outside the measuring cylinder are in line with the 100 cm<sup>3</sup> mark.

Fig. 1.2 shows the apparatus after a few days.

The iron has rusted and the water has started to rise up the cylinder.



**Fig. 1.2**

(i) One of the compounds present in rust is iron oxide.

In this compound there are two iron atoms for every three oxygen atoms.

State the chemical formula of iron oxide.

..... [1]

(ii) Explain why the water has risen up the cylinder.

.....  
 ..... [1]

(iii) After a week, the water stops rising although some of the iron has not rusted.

Predict the mark the water finally reaches.

..... [1]

(iv) Name the main element in the gas remaining in the measuring cylinder after one week.

..... [1]

(b) Fig. 1.3 shows the first experiment repeated with the beaker containing oil instead of water.

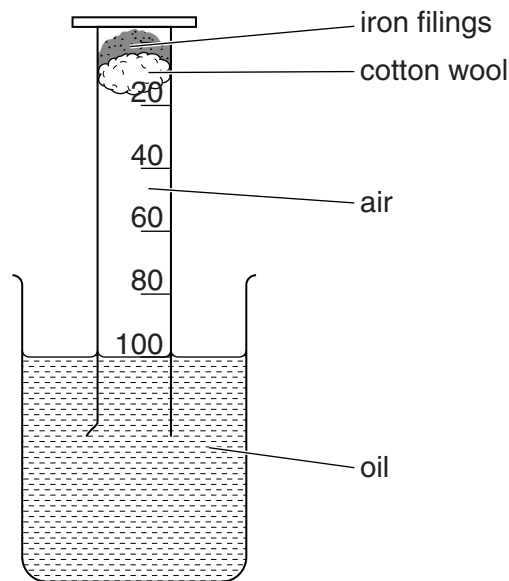


Fig. 1.3

State what happens in this version of the experiment.

.....

Explain your answer.

.....  
 ..... [2]

(c) Describe and explain **one** method that is used to prevent an iron object from rusting.

.....  
.....  
.....[2]

2 (a) Fig. 2.1 shows a man paddling a canoe up a river.

The man is paddling gently, but the canoe remains stationary alongside the river bank.

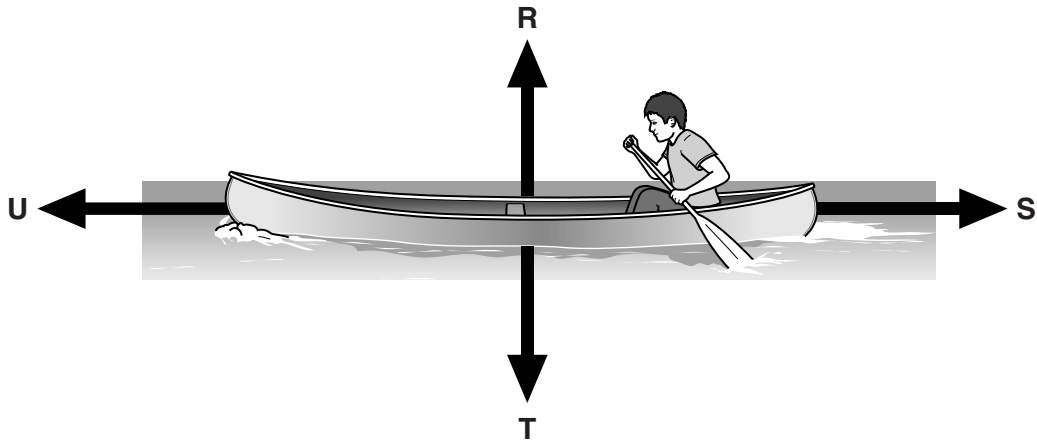


Fig. 2.1

(i) State which force from **R**, **S**, **T** and **U** is

the weight of the canoe and the man, .....

the force propelling the canoe forward, .....

the force due to the water current. ....

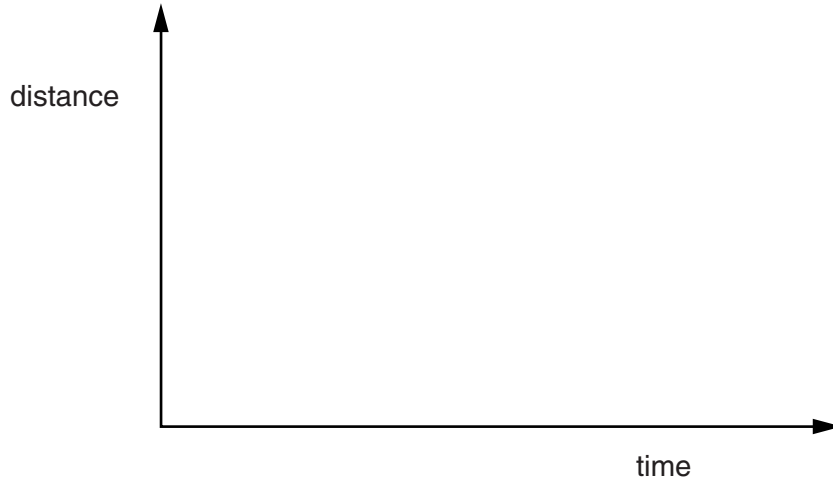
[2]

(ii) Explain, in terms of balanced forces, why the canoe remains stationary alongside the river bank.

.....  
 .....  
 ..... [2]

(b) The man now paddles the canoe steadily so that it moves along the river at a constant speed.

On the axes below, sketch a distance/time graph for the canoe as it moves along the river.



[1]

(c) (i) State the form of stored energy in the man that is transferred from him as he paddles the canoe.

.....[1]

(ii) State the useful form of energy gained by the canoe as a result of this transfer.

.....[1]

(iii) Identify **one** form of energy that is **not** useful that is transferred from the man paddling the canoe.

.....[1]

(d) The man now paddles the canoe at a steady speed of 2 m/s.

Calculate the time in seconds taken by the canoe to travel 2400 m.

State the formula you use and show your working.

formula

working

time = ..... s [2]

3 (a) Fig. 3.1 shows one undecayed human tooth and one with decay.

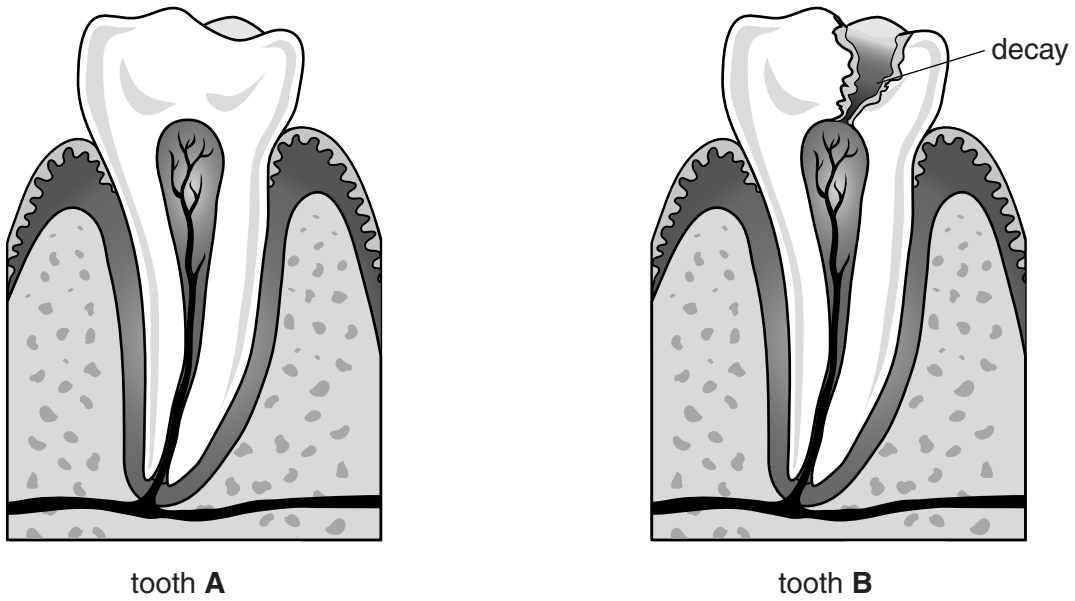


Fig. 3.1

State which type of tooth is shown in both diagrams in Fig. 3.1.

..... [1]

(b) Tooth B shows tooth decay.

(i) Suggest why the person had toothache.

.....  
..... [1]

(ii) Explain fully how eating sugary foods can cause tooth decay.

.....  
.....  
.....  
.....  
..... [3]

(c) When babies start to eat solid food they do not have enough teeth to chew their food.

Explain why it is important that the food should be broken down for them into very small pieces.

.....  
.....  
.....  
.....[2]

(d) In the mouth, the process of chemical digestion starts.

Explain what is meant by the term *chemical digestion*.

.....  
.....  
.....  
.....[3]

(e) Protease (protein-digesting enzyme) digests protein in the acidic environment of the stomach.

Predict whether this protease will continue to digest proteins in the alkaline environment of the small intestine.

Explain your answer.

.....  
.....  
.....[2]



4 Fig. 4.1 shows an electric hairdryer that uses mains electricity.



Fig. 4.1

A heater inside the hairdryer warms the air. A fan blows the warm air out of the hairdryer.

(a) The hairdryer contains a switch, a heater to warm the air and an electric motor to drive the fan. The heater and the motor are connected in parallel.

Fig. 4.2 shows the circuit symbols for a switch, a heater and an electric motor.

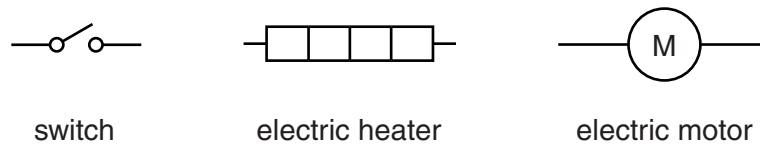


Fig. 4.2

On Fig. 4.3 use the symbols in Fig. 4.2 to complete the circuit diagram for the hairdryer connected to the mains electricity supply. The mains electricity supply has been drawn for you.

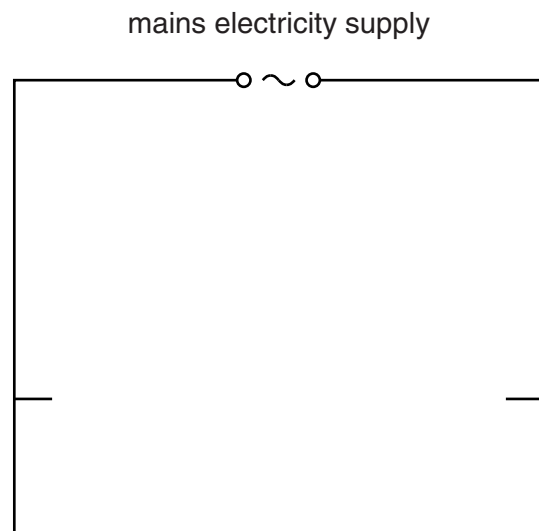


Fig. 4.3

[2]

(b) The flow of warm air dries the wet hair by evaporation.

Explain, in terms of molecules, why using warm air helps to dry wet hair.

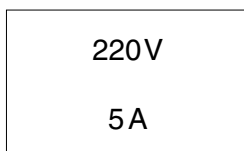
.....  
.....  
.....[2]

(c) When air is heated, it rises.

State the name of the process by which heated air rises.

.....[1]

(d) Fig. 4.4 shows information on a label fixed to the hairdryer.



**Fig. 4.4**

(i) State the name of the unit whose symbol is V.

.....[1]

(ii) Use the formula

$$R = \frac{V}{I}$$

to find the combined resistance of the circuit components in the hairdryer when in use.

Show your working and state the unit of your answer.

resistance = ..... unit = ..... [2]

(e) The plug on the mains lead of the hairdryer is fitted with a fuse. One day, the fuse blows while the hairdryer is being used.

(i) Give **one** possible cause for the fuse blowing.

.....  
.....[1]

(ii) The fuse has to be replaced.

The current through the hairdryer when in use is 5 A. Several new fuses with different current ratings are available, as shown in this list:

2 A      5 A      10 A      15 A

Explain which of these four fuses should be used.

Fuse ..... should be used because .....

.....  
.....  
.....[2]



5 (a) A student investigates the effect of gravity on the growth of a seedling.

The student germinates a seed. When the radicle is clearly visible, he pins the seedling to a board, as shown in Fig. 5.1 (a). He positions the board so that the radical is horizontal.

The radicle continues to grow and curves downwards, as shown in Fig. 5.1 (b).

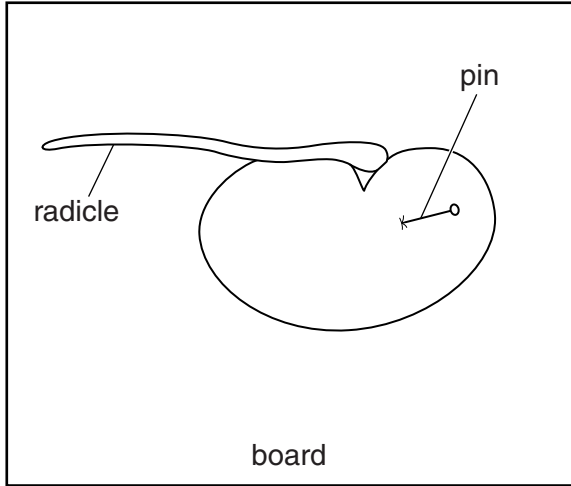


Fig. 5.1 (a)

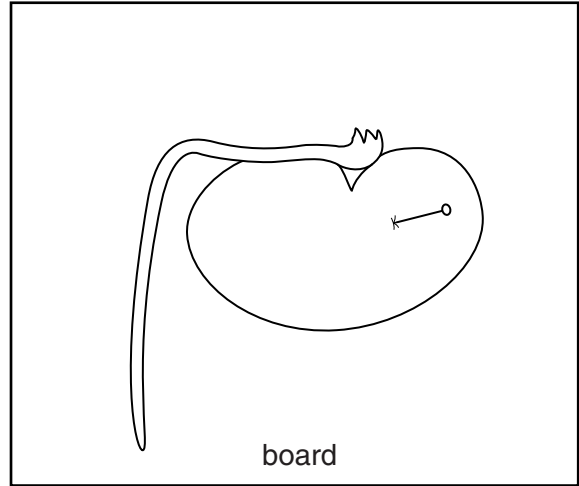


Fig. 5.1 (b)

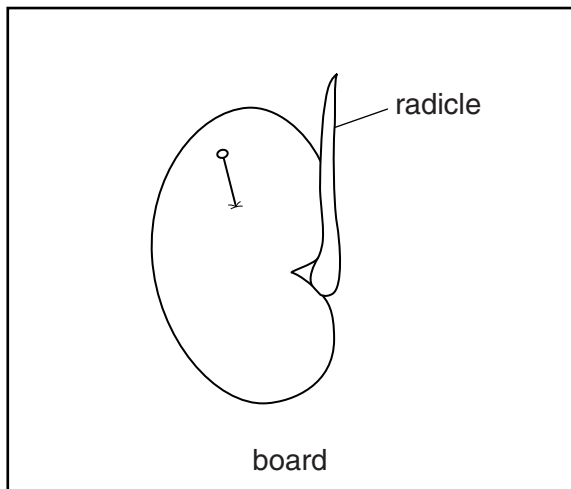
(i) Name the growth response shown by the seedling.

..... [1]

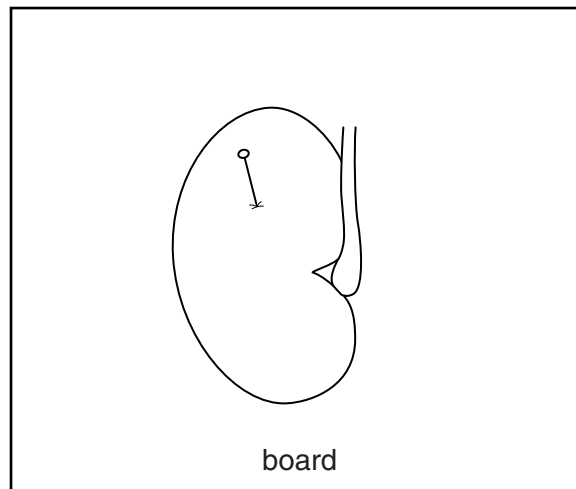
(ii) Explain how this growth response is an advantage to the seedling.

.....  
.....  
..... [2]

- (iii) In a second experiment the seedling is pinned on the board in a different position, as shown in Fig. 5.2 (a).



**Fig. 5.2(a)**

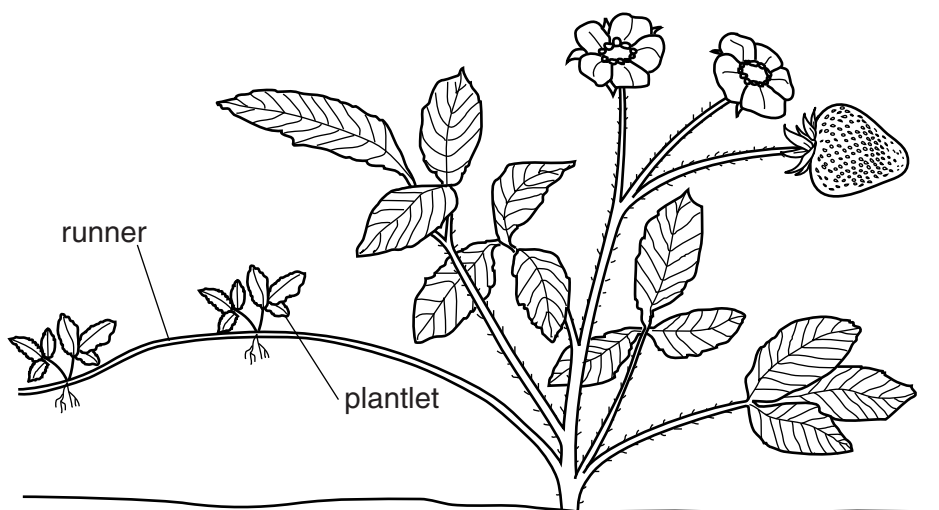


**Fig. 5.2(b)**

Complete Fig. 5.2 (b) to show the appearance of the radicle after a few days.

[1]

- (b) Fig. 5.3 shows a strawberry plant. The strawberry plant can reproduce both asexually and sexually.

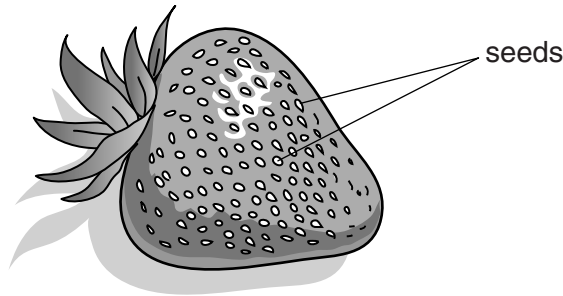


**Fig. 5.3**

The strawberry plant produces runners with plantlets. The runners are stems produced by the parent plant. If the roots of a plantlet come into contact with damp soil, the plantlet can grow into a new independent plant.

- (i) Use the information provided to explain why reproduction with runners is asexual.

.....  
.....[1]



**Fig. 5.4**

Fig. 5.4 shows a strawberry produced by the plant after one of the flowers is pollinated. The seeds on the strawberry will produce new plants when they are germinated.

- (ii) Explain why this method of reproduction is sexual.

.....  
.....[1]

- (iii) Describe and explain how a group of plants grown from runners will be different from a group of plants produced when seeds germinate.

.....  
.....  
.....  
.....[2]

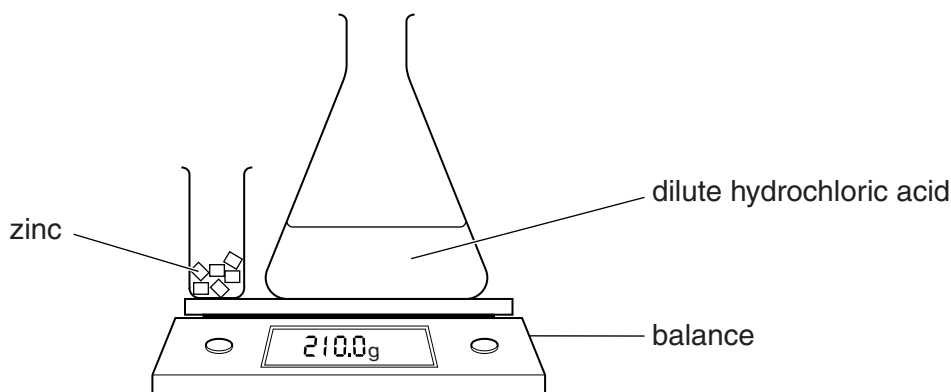
- 6 (a) Dilute hydrochloric acid reacts with zinc to produce a colourless gas.

Describe a test to show that the gas is hydrogen.

test .....

result ..... [2]

- (b) Fig. 6.1 shows the apparatus a student uses to investigate the effect of changing the temperature of acid on the rate of reaction with zinc.



**Fig. 6.1**

At the start of the experiment, the student adds the zinc to acid at a temperature of 20°C.

- (i) The student expects the balance reading to decrease while zinc reacts with the acid.

Suggest the measurements the student makes to find the rate of reaction.

.....  
 .....  
 ..... [2]

- (ii) Suggest what he should do to find the effect of temperature on the rate of reaction.

.....  
 ..... [1]

- (iii) Describe the expected effect of temperature on the rate of reaction.

.....  
 ..... [1]



(c) The student investigates what happens if he uses copper in place of zinc in the apparatus in Fig. 6.1.

(i) Name the part of the Periodic Table in which copper is found.

.....[1]

(ii) Describe and explain what he observes.

.....  
.....  
.....[2]

7 Astronomers use telescopes to study the electromagnetic radiation that reaches the Earth from the stars.

(a) (i) Complete the sentences below using words from the list. You may use each term once, more than once or not at all.

radio waves      sound waves      ultra-violet      visible light      water waves

People can see stars with their eyes because the stars emit .....

Astronomers need special telescopes to see other types of electromagnetic radiation from stars. Examples of such types of radiation are ..... and ..... [2]

(ii) We are able to see the Moon, even though the Moon itself does not emit electromagnetic radiation.

State a characteristic behaviour of electromagnetic radiation that enables us to see the Moon. ....[1]

(b) Some stars emit electromagnetic radiation with a very high frequency, such as X-rays.

(i) State the meaning of the term *frequency*.

..... [1]

(ii) Fig. 7.1 shows an incomplete diagram of the electromagnetic spectrum.



Fig. 7.1

Mark with an X on Fig. 7.1 the part of the spectrum where X-rays are situated. [1]

(c) Increasing the amplitude of sound waves makes sound louder.

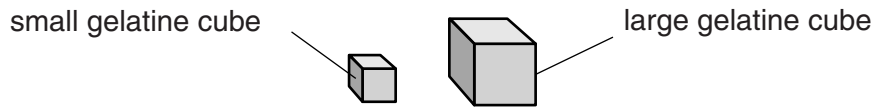
Suggest what effect will be seen when the amplitude of light waves is increased.

..... [1]

**Question 8 begins on page 20**

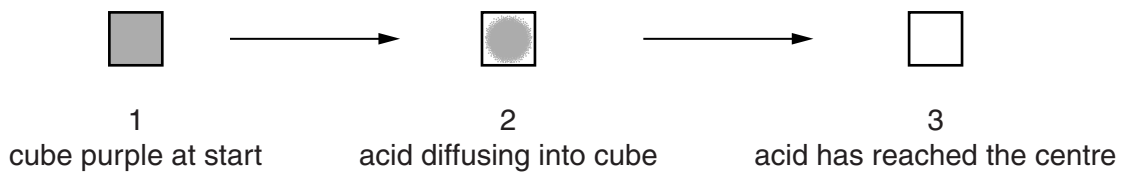
- 8 (a) *Diffusion* is the net movement of molecules from a region of higher concentration to a region of lower concentration. It is how some substances enter and leave cells.

A student carries out an experiment to study diffusion. He uses gelatine cubes of different sizes which represent differently-sized cells. See Fig. 8.1.



**Fig. 8.1**

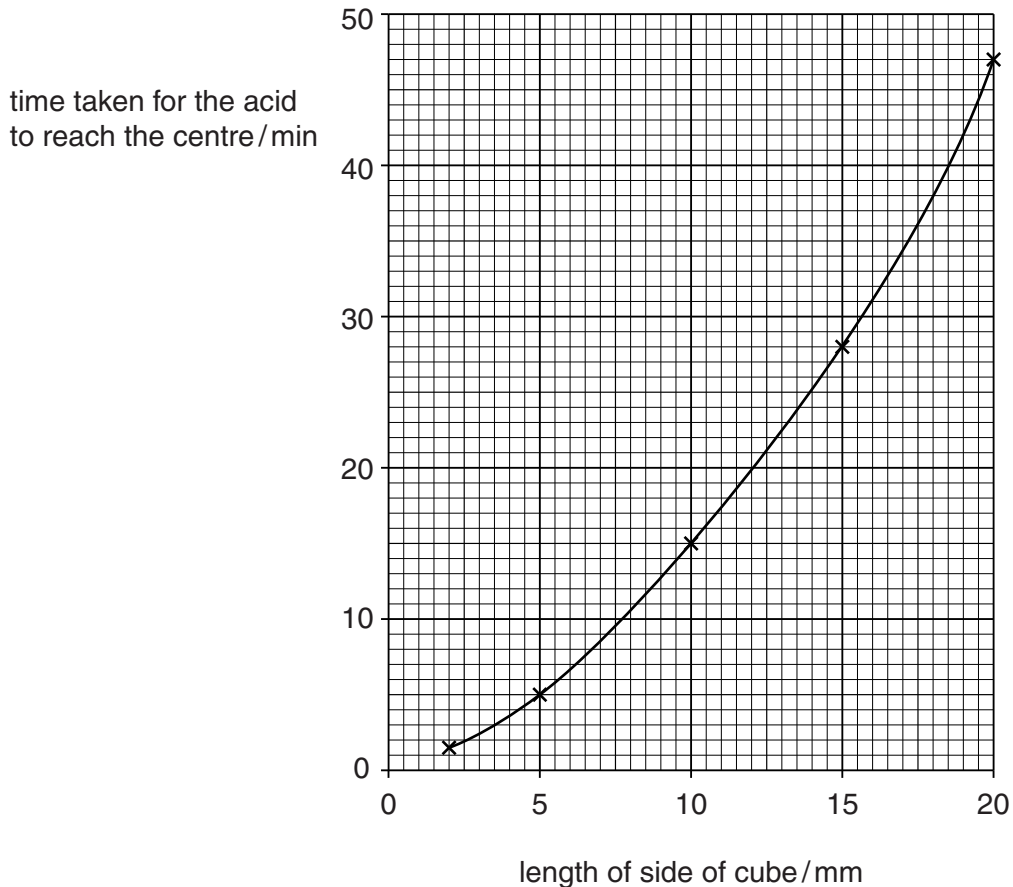
The student immerses the cubes in acid. The gelatine contains a purple indicator that turns colourless when the acid reaches it. See Fig. 8.2.



**Fig. 8.2**

The student measures the time taken for the acid to reach the centre of the cubes.

The results are shown by the graph in Fig. 8.3.



**Fig. 8.3**

- (i) Describe how the time taken for the acid to reach the centre varies as the size of the cube increases.

.....  
.....  
.....[2]

- (ii) From Fig. 8.3 find the time taken for cubes with a length of

6 mm, .....

12 mm. .... [2]

- (iii) In living cells, oxygen and food substances must diffuse across the cell membrane and reach the centre of the cell.

Use this information to suggest why cells cannot grow to a large size.

.....  
.....[1]

- (b) Fig. 8.4 shows a red blood cell.

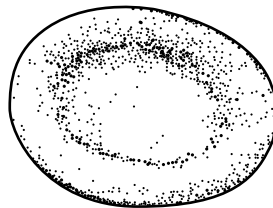
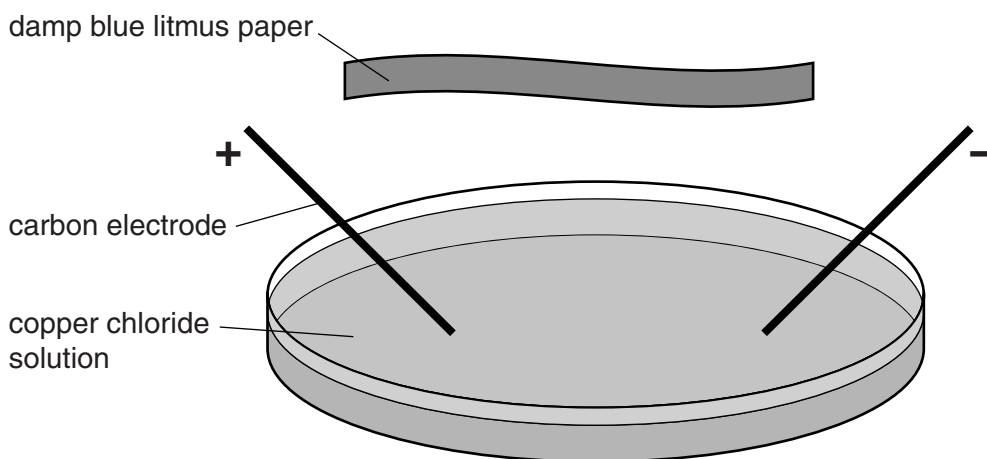


Fig. 8.4

Describe **one** feature of the red blood cell that enables oxygen to get to all parts of the cell quickly.

.....  
.....[1]

- 9 (a) Fig. 9.1 shows the apparatus used to demonstrate the electrolysis of copper chloride solution.



**Fig. 9.1**

- (i) State the names given to the electrodes.

The **positive** electrode is called the .....

The **negative** electrode is called the ..... [2]

- (ii) A substance **X** is formed on the negative electrode.

Name and describe the appearance of substance **X**.

name of **X** .....

description .....

..... [2]

- (iii) A substance **Y** is formed at the positive electrode.

Name **Y** and describe its effect on the damp blue litmus paper.

name of **Y** .....

description .....

..... [2]

- (b) State whether each of the substances involved in the experiment is  
 an element **or** a compound **or** a mixture.

Write your answers in Table 9.1.

**Table 9.1**

substance	element <b>or</b> compound <b>or</b> mixture
copper chloride	
copper chloride solution	
substance <b>X</b>	
substance <b>Y</b>	
water	

[2]

- (c) (i) Explain **one** difference between an element and a compound.

.....  
 .....  
 .....[1]

- (ii) Explain **one** difference between a compound and a mixture.

.....  
 .....  
 .....[1]

**DATA SHEET**  
**The Periodic Table of the Elements**

I		II		Group										VII	0																																																																																																																																																																																																																																																																																																
				III	IV	V	VI																																																																																																																																																																																																																																																																																																								
7 <b>Li</b> Lithium 3		9 <b>Be</b> Beryllium 4		1 <b>H</b> Hydrogen 1										19 <b>F</b> Fluorine 9	20 <b>Ne</b> Neon 10																																																																																																																																																																																																																																																																																																
23 <b>Na</b> Sodium 11		24 <b>Mg</b> Magnesium 12		11 <b>B</b> Boron 5	12 <b>C</b> Carbon 6	14 <b>N</b> Nitrogen 7	16 <b>O</b> Oxygen 8	31 <b>P</b> Phosphorus 15	32 <b>S</b> Sulfur 16	35.5 <b>Cl</b> Chlorine 17	40 <b>Ar</b> Argon 18	84 <b>Kr</b> Krypton 36	131 <b>Xe</b> Xenon 54	222 <b>Rn</b> Radon 86																																																																																																																																																																																																																																																																																																	
39 <b>K</b> Potassium 19		40 <b>Ca</b> Calcium 20		51 <b>V</b> Vanadium 23	48 <b>Ti</b> Titanium 22	45 <b>Sc</b> Scandium 21	59 <b>Co</b> Cobalt 27	56 <b>Fe</b> Iron 26	55 <b>Mn</b> Manganese 25	59 <b>Ni</b> Nickel 28	64 <b>Cu</b> Copper 29	65 <b>Zn</b> Zinc 30	70 <b>Ga</b> Gallium 31	73 <b>Ge</b> Germanium 32	75 <b>As</b> Arsenic 33	79 <b>Se</b> Selenium 34	80 <b>Br</b> Bromine 35	84 <b>Kr</b> Krypton 36																																																																																																																																																																																																																																																																																													
85 <b>Rb</b> Rubidium 37		88 <b>Sr</b> Strontium 38		93 <b>Nb</b> Niobium 41	91 <b>Zr</b> Zirconium 40	89 <b>Y</b> Yttrium 39	101 <b>Ru</b> Ruthenium 44	100 <b>Rh</b> Rhodium 45	106 <b>Pd</b> Palladium 46	108 <b>Ag</b> Silver 47	112 <b>Cd</b> Cadmium 48	115 <b>In</b> Indium 49	119 <b>Sn</b> Tin 50	122 <b>Sb</b> Antimony 51	128 <b>Te</b> Tellurium 52	127 <b>I</b> Iodine 53	131 <b>Xe</b> Xenon 54	222 <b>Rn</b> Radon 86																																																																																																																																																																																																																																																																																													
133 <b>Cs</b> Caesium 55		137 <b>Ba</b> Barium 56		181 <b>Ta</b> Tantalum 73	178 <b>Hf</b> Hafnium 72	139 <b>La</b> Lanthanum 57	190 <b>Os</b> Osmium 76	186 <b>Re</b> Rhenium 75	195 <b>Pt</b> Platinum 78	197 <b>Au</b> Gold 79	201 <b>Hg</b> Mercury 80	204 <b>Tl</b> Thallium 81	207 <b>Pb</b> Lead 82	209 <b>Bi</b> Bismuth 83	209 <b>Po</b> Polonium 84	210 <b>At</b> Astatine 85	222 <b>Rn</b> Radon 86	222 <b>Rn</b> Radon 86																																																																																																																																																																																																																																																																																													
223 <b>Fr</b> Francium 87		226 <b>Ra</b> Radium 88		227 <b>Ac</b> Actinium 89	140 <b>Ce</b> Cerium 58	141 <b>Pr</b> Praseodymium 59	144 <b>Nd</b> Neodymium 60	147 <b>Pm</b> Promethium 61	150 <b>Sm</b> Samarium 62	152 <b>Eu</b> Europium 63	157 <b>Gd</b> Gadolinium 64	159 <b>Tb</b> Terbium 65	162 <b>Dy</b> Dysprosium 66	165 <b>Ho</b> Holmium 67	167 <b>Er</b> Erbium 68	169 <b>Tm</b> Thulium 69	173 <b>Yb</b> Ytterbium 70	175 <b>Lu</b> Lutetium 71	222 <b>Rn</b> Radon 86																																																																																																																																																																																																																																																																																												
287 <b>Uu</b> Ununseptium 117		288 <b>Uu</b> Ununseptium 118		289 <b>Uu</b> Ununseptium 119	292 <b>Uu</b> Ununseptium 122	293 <b>Uu</b> Ununseptium 123	294 <b>Uu</b> Ununseptium 124	295 <b>Uu</b> Ununseptium 125	296 <b>Uu</b> Ununseptium 126	297 <b>Uu</b> Ununseptium 127	298 <b>Uu</b> Ununseptium 128	299 <b>Uu</b> Ununseptium 129	300 <b>Uu</b> Ununseptium 130	301 <b>Uu</b> Ununseptium 131	302 <b>Uu</b> Ununseptium 132	303 <b>Uu</b> Ununseptium 133	304 <b>Uu</b> Ununseptium 134	305 <b>Uu</b> Ununseptium 135	306 <b>Uu</b> Ununseptium 136	307 <b>Uu</b> Ununseptium 137	308 <b>Uu</b> Ununseptium 138	309 <b>Uu</b> Ununseptium 139	310 <b>Uu</b> Ununseptium 140	311 <b>Uu</b> Ununseptium 141	312 <b>Uu</b> Ununseptium 142	313 <b>Uu</b> Ununseptium 143	314 <b>Uu</b> Ununseptium 144	315 <b>Uu</b> Ununseptium 145	316 <b>Uu</b> Ununseptium 146	317 <b>Uu</b> Ununseptium 147	318 <b>Uu</b> Ununseptium 148	319 <b>Uu</b> Ununseptium 149	320 <b>Uu</b> Ununseptium 150	321 <b>Uu</b> Ununseptium 151	322 <b>Uu</b> Ununseptium 152	323 <b>Uu</b> Ununseptium 153	324 <b>Uu</b> Ununseptium 154	325 <b>Uu</b> Ununseptium 155	326 <b>Uu</b> Ununseptium 156	327 <b>Uu</b> Ununseptium 157	328 <b>Uu</b> Ununseptium 158	329 <b>Uu</b> Ununseptium 159	330 <b>Uu</b> Ununseptium 160	331 <b>Uu</b> Ununseptium 161	332 <b>Uu</b> Ununseptium 162	333 <b>Uu</b> Ununseptium 163	334 <b>Uu</b> Ununseptium 164	335 <b>Uu</b> Ununseptium 165	336 <b>Uu</b> Ununseptium 166	337 <b>Uu</b> Ununseptium 167	338 <b>Uu</b> Ununseptium 168	339 <b>Uu</b> Ununseptium 169	340 <b>Uu</b> Ununseptium 170	341 <b>Uu</b> Ununseptium 171	342 <b>Uu</b> Ununseptium 172	343 <b>Uu</b> Ununseptium 173	344 <b>Uu</b> Ununseptium 174	345 <b>Uu</b> Ununseptium 175	346 <b>Uu</b> Ununseptium 176	347 <b>Uu</b> Ununseptium 177	348 <b>Uu</b> Ununseptium 178	349 <b>Uu</b> Ununseptium 179	350 <b>Uu</b> Ununseptium 180	351 <b>Uu</b> Ununseptium 181	352 <b>Uu</b> Ununseptium 182	353 <b>Uu</b> Ununseptium 183	354 <b>Uu</b> Ununseptium 184	355 <b>Uu</b> Ununseptium 185	356 <b>Uu</b> Ununseptium 186	357 <b>Uu</b> Ununseptium 187	358 <b>Uu</b> Ununseptium 188	359 <b>Uu</b> Ununseptium 189	360 <b>Uu</b> Ununseptium 190	361 <b>Uu</b> Ununseptium 191	362 <b>Uu</b> Ununseptium 192	363 <b>Uu</b> Ununseptium 193	364 <b>Uu</b> Ununseptium 194	365 <b>Uu</b> Ununseptium 195	366 <b>Uu</b> Ununseptium 196	367 <b>Uu</b> Ununseptium 197	368 <b>Uu</b> Ununseptium 198	369 <b>Uu</b> Ununseptium 199	370 <b>Uu</b> Ununseptium 200	371 <b>Uu</b> Ununseptium 201	372 <b>Uu</b> Ununseptium 202	373 <b>Uu</b> Ununseptium 203	374 <b>Uu</b> Ununseptium 204	375 <b>Uu</b> Ununseptium 205	376 <b>Uu</b> Ununseptium 206	377 <b>Uu</b> Ununseptium 207	378 <b>Uu</b> Ununseptium 208	379 <b>Uu</b> Ununseptium 209	380 <b>Uu</b> Ununseptium 210	381 <b>Uu</b> Ununseptium 211	382 <b>Uu</b> Ununseptium 212	383 <b>Uu</b> Ununseptium 213	384 <b>Uu</b> Ununseptium 214	385 <b>Uu</b> Ununseptium 215	386 <b>Uu</b> Ununseptium 216	387 <b>Uu</b> Ununseptium 217	388 <b>Uu</b> Ununseptium 218	389 <b>Uu</b> Ununseptium 219	390 <b>Uu</b> Ununseptium 220	391 <b>Uu</b> Ununseptium 221	392 <b>Uu</b> Ununseptium 222	393 <b>Uu</b> Ununseptium 223	394 <b>Uu</b> Ununseptium 224	395 <b>Uu</b> Ununseptium 225	396 <b>Uu</b> Ununseptium 226	397 <b>Uu</b> Ununseptium 227	398 <b>Uu</b> Ununseptium 228	399 <b>Uu</b> Ununseptium 229	400 <b>Uu</b> Ununseptium 230	401 <b>Uu</b> Ununseptium 231	402 <b>Uu</b> Ununseptium 232	403 <b>Uu</b> Ununseptium 233	404 <b>Uu</b> Ununseptium 234	405 <b>Uu</b> Ununseptium 235	406 <b>Uu</b> Ununseptium 236	407 <b>Uu</b> Ununseptium 237	408 <b>Uu</b> Ununseptium 238	409 <b>Uu</b> Ununseptium 239	410 <b>Uu</b> Ununseptium 240	411 <b>Uu</b> Ununseptium 241	412 <b>Uu</b> Ununseptium 242	413 <b>Uu</b> Ununseptium 243	414 <b>Uu</b> Ununseptium 244	415 <b>Uu</b> Ununseptium 245	416 <b>Uu</b> Ununseptium 246	417 <b>Uu</b> Ununseptium 247	418 <b>Uu</b> Ununseptium 248	419 <b>Uu</b> Ununseptium 249	420 <b>Uu</b> Ununseptium 250	421 <b>Uu</b> Ununseptium 251	422 <b>Uu</b> Ununseptium 252	423 <b>Uu</b> Ununseptium 253	424 <b>Uu</b> Ununseptium 254	425 <b>Uu</b> Ununseptium 255	426 <b>Uu</b> Ununseptium 256	427 <b>Uu</b> Ununseptium 257	428 <b>Uu</b> Ununseptium 258	429 <b>Uu</b> Ununseptium 259	430 <b>Uu</b> Ununseptium 260	431 <b>Uu</b> Ununseptium 261	432 <b>Uu</b> Ununseptium 262	433 <b>Uu</b> Ununseptium 263	434 <b>Uu</b> Ununseptium 264	435 <b>Uu</b> Ununseptium 265	436 <b>Uu</b> Ununseptium 266	437 <b>Uu</b> Ununseptium 267	438 <b>Uu</b> Ununseptium 268	439 <b>Uu</b> Ununseptium 269	440 <b>Uu</b> Ununseptium 270	441 <b>Uu</b> Ununseptium 271	442 <b>Uu</b> Ununseptium 272	443 <b>Uu</b> Ununseptium 273	444 <b>Uu</b> Ununseptium 274	445 <b>Uu</b> Ununseptium 275	446 <b>Uu</b> Ununseptium 276	447 <b>Uu</b> Ununseptium 277	448 <b>Uu</b> Ununseptium 278	449 <b>Uu</b> Ununseptium 279	450 <b>Uu</b> Ununseptium 280	451 <b>Uu</b> Ununseptium 281	452 <b>Uu</b> Ununseptium 282	453 <b>Uu</b> Ununseptium 283	454 <b>Uu</b> Ununseptium 284	455 <b>Uu</b> Ununseptium 285	456 <b>Uu</b> Ununseptium 286	457 <b>Uu</b> Ununseptium 287	458 <b>Uu</b> Ununseptium 288	459 <b>Uu</b> Ununseptium 289	460 <b>Uu</b> Ununseptium 290	461 <b>Uu</b> Ununseptium 291	462 <b>Uu</b> Ununseptium 292	463 <b>Uu</b> Ununseptium 293	464 <b>Uu</b> Ununseptium 294	465 <b>Uu</b> Ununseptium 295	466 <b>Uu</b> Ununseptium 296	467 <b>Uu</b> Ununseptium 297	468 <b>Uu</b> Ununseptium 298	469 <b>Uu</b> Ununseptium 299	470 <b>Uu</b> Ununseptium 300	471 <b>Uu</b> Ununseptium 301	472 <b>Uu</b> Ununseptium 302	473 <b>Uu</b> Ununseptium 303	474 <b>Uu</b> Ununseptium 304	475 <b>Uu</b> Ununseptium 305	476 <b>Uu</b> Ununseptium 306	477 <b>Uu</b> Ununseptium 307	478 <b>Uu</b> Ununseptium 308	479 <b>Uu</b> Ununseptium 309	480 <b>Uu</b> Ununseptium 310	481 <b>Uu</b> Ununseptium 311	482 <b>Uu</b> Ununseptium 312	483 <b>Uu</b> Ununseptium 313	484 <b>Uu</b> Ununseptium 314	485 <b>Uu</b> Ununseptium 315	486 <b>Uu</b> Ununseptium 316	487 <b>Uu</b> Ununseptium 317	488 <b>Uu</b> Ununseptium 318	489 <b>Uu</b> Ununseptium 319	490 <b>Uu</b> Ununseptium 320	491 <b>Uu</b> Ununseptium 321	492 <b>Uu</b> Ununseptium 322	493 <b>Uu</b> Ununseptium 323	494 <b>Uu</b> Ununseptium 324	495 <b>Uu</b> Ununseptium 325	496 <b>Uu</b> Ununseptium 326	497 <b>Uu</b> Ununseptium 327	498 <b>Uu</b> Ununseptium 328	499 <b>Uu</b> Ununseptium 329	500 <b>Uu</b> Ununseptium 330	501 <b>Uu</b> Ununseptium 331	502 <b>Uu</b> Ununseptium 332	503 <b>Uu</b> Ununseptium 333	504 <b>Uu</b> Ununseptium 334	505 <b>Uu</b> Ununseptium 335	506 <b>Uu</b> Ununseptium 336	507 <b>Uu</b> Ununseptium 337	508 <b>Uu</b> Ununseptium 338	509 <b>Uu</b> Ununseptium 339	510 <b>Uu</b> Ununseptium 340	511 <b>Uu</b> Ununseptium 341	512 <b>Uu</b> Ununseptium 342	513 <b>Uu</b> Ununseptium 343	514 <b>Uu</b> Ununseptium 344	515 <b>Uu</b> Ununseptium 345	516 <b>Uu</b> Ununseptium 346	517 <b>Uu</b> Ununseptium 347	518 <b>Uu</b> Ununseptium 348	519 <b>Uu</b> Ununseptium 349	520 <b>Uu</b> Ununseptium 350	521 <b>Uu</b> Ununseptium 351	522 <b>Uu</b> Ununseptium 352	523 <b>Uu</b> Ununseptium 353	524 <b>Uu</b> Ununseptium 354	525 <b>Uu</b> Ununseptium 355	526 <b>Uu</b> Ununseptium 356	527 <b>Uu</b> Ununseptium 357	528 <b>Uu</b> Ununseptium 358	529 <b>Uu</b> Ununseptium 359	530 <b>Uu</b> Ununseptium 360	531 <b>Uu</b> Ununseptium 361	532 <b>Uu</b> Ununseptium 362	533 <b>Uu</b> Ununseptium 363	534 <b>Uu</b> Ununseptium 364	535 <b>Uu</b> Ununseptium 365	536 <b>Uu</b> Ununseptium 366	537 <b>Uu</b> Ununseptium 367	538 <b>Uu</b> Ununseptium 368	539 <b>Uu</b> Ununseptium 369	540 <b>Uu</b> Ununseptium 370	541 <b>Uu</b> Ununseptium 371	542 <b>Uu</b> Ununseptium 372	543 <b>Uu</b> Ununseptium 373	544 <b>Uu</b> Ununseptium 374	545 <b>Uu</b> Ununseptium 375	546 <b>Uu</b> Ununseptium 376	547 <b>Uu</b> Ununseptium 377	548 <b>Uu</b> Ununseptium 378	549 <b>Uu</b> Ununseptium 379	550 <b>Uu</b> Ununseptium 380	551 <b>Uu</b> Ununseptium 381	552 <b>Uu</b> Ununseptium 382	553 <b>Uu</b> Ununseptium 383	554 <b>Uu</b> Ununseptium 384	555 <b>Uu</b> Ununseptium 385	556 <b>Uu</b> Ununseptium 386	557 <b>Uu</b> Ununseptium 387	558 <b>Uu</b> Ununseptium 388	559 <b>Uu</b> Ununseptium 389	560 <b>Uu</b> Ununseptium 390	561 <b>Uu</b> Ununseptium 391	562 <b>Uu</b> Ununseptium 392	563 <b>Uu</b> Ununseptium 393	564 <b>Uu</b> Ununseptium 394	565 <b>Uu</b> Ununseptium 395	566 <b>Uu</b> Ununseptium 396	567 <b>Uu</b> Ununseptium 397	568 <b>Uu</b> Ununseptium 398	569 <b>Uu</b> Ununseptium 399	570 <b>Uu</b> Ununseptium 400	571 <b>Uu</b> Ununseptium 401	572 <b>Uu</b> Ununseptium 402	573 <b>Uu</b> Ununseptium 403	574 <b>Uu</b> Ununseptium 404	575 <b>Uu</b> Ununseptium 405	576 <b>Uu</b> Ununseptium 406	577 <b>Uu</b> Ununseptium 407	578 <b>Uu</b> Ununseptium 408	579 <b>Uu</b> Ununseptium 409	580 <b>Uu</b> Ununseptium 410	581 <b>Uu</b> Ununseptium 411	582 <b>Uu</b> Ununseptium 412	583 <b>Uu</b> Ununseptium 413	584 <b>Uu</b> Ununseptium 414	585 <b>Uu</b> Ununseptium 415	586 <b>Uu</b> Ununseptium 416	587 <b>Uu</b> Ununseptium 417	588 <b>Uu</b> Ununseptium 418	589 <b>Uu</b> Ununseptium 419	590 <b></b>