



UNIVERSITY OF CAMBRIDGE INTERNATIONAL EXAMINATIONS
International General Certificate of Secondary Education

CANDIDATE
NAME

CENTRE
NUMBER

--	--	--	--	--

CANDIDATE
NUMBER

--	--	--	--

COMBINED SCIENCE

0653/23

Paper 2 (Core)

October/November 2011

1 hour 15 minutes

Candidates answer on the Question Paper.

No Additional Materials are required.



READ THESE INSTRUCTIONS FIRST

Write your Centre number, candidate number and name on all the work you hand in.

Write in dark blue or black pen.

You may use a soft pencil for any diagrams, graphs, tables or rough working.

Do not use staples, paper clips, highlighters, glue or correction fluid.

DO NOT WRITE IN ANY BARCODES.

Answer **all** questions.

A copy of the Periodic Table is printed on page 24.

At the end of the examination, fasten all your work securely together.

The number of marks is given in brackets [] at the end of each question or part question.

For Examiner's Use	
1	
2	
3	
4	
5	
6	
7	
8	
9	
Total	

This document consists of **21** printed pages and **3** blank pages.



- 1 Coral reefs are found in shallow seawater. Limestone is a common type of rock found in the Earth's crust. Both coral reefs and limestone are made mainly of the ionic compound, calcium carbonate.

For
Examiner's
Use

- (a) A student used the apparatus shown in Fig. 1.1 to test a rock sample to discover whether or not it is limestone.

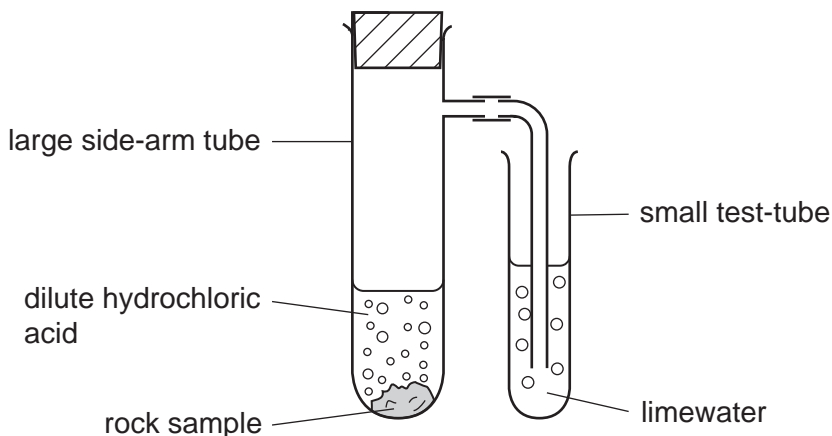


Fig. 1.1

The student observed that a gas was given off and that the limewater in the small test-tube became cloudy.

- (i) Name the gas that was given off. [1]

- (ii) State the chemical formula of hydrochloric acid.
..... [1]

- (iii) After some time, the student observed that the gas stopped forming, but a small piece of the rock sample remained in the large side-arm tube.

Explain why gas stopped forming.

.....
.....
..... [2]

- (iv) The student carried out a flame test on the solution that remained in the large side-arm tube. This test produced an orange-red colour.

Name the element that this observation suggests is contained in the rock sample.

..... [1]

(b) In recent years, the amount of carbon dioxide dissolving in seawater has increased.

During this period, many coral reefs have become weakened and damaged.

(i) State and explain briefly how an increase in carbon dioxide concentration will affect the pH of seawater.

.....
.....
..... [2]

(ii) Suggest a reason why an increase in carbon dioxide concentration might be responsible for damage to coral reefs.

.....
..... [1]

*For
Examiner's
Use*

- 2 (a) Fig. 2.1 shows the horizontal forces acting on an aircraft moving along the runway. These forces are balanced.

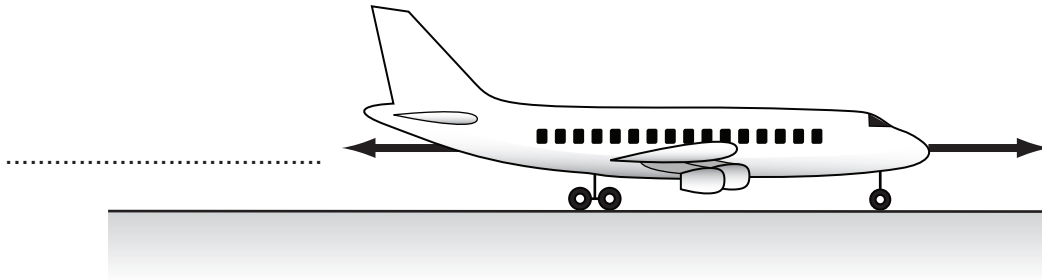


Fig. 2.1

- (i) The arrow to the right represents the driving force produced by the engines.

On the diagram, name the other force.

[1]

- (ii) Explain what is meant by the phrase *forces are balanced*.

.....
 [1]

- (iii) Describe the movement of the aircraft when these forces are balanced.

.....
 [1]

- (b) In the air, the aircraft travels at 80 m/s for one hour.

Calculate the distance travelled.

State the formula that you use and show your working.

formula used

working

..... m [2]

(c) People who fly frequently have greater exposure to ionising radiation than those who do not fly.

(i) Explain why exposure to ionising radiation may be harmful.

.....
.....
..... [2]

(ii) This ionising radiation is cosmic radiation from outer space. This is one source of background radiation.

State **one** other natural source of background radiation.

..... [1]

(d) The aircraft is able to navigate using radar. This involves using microwaves. These are part of the electromagnetic spectrum.

Name **one** other wave which is part of the electromagnetic spectrum and give a use for this radiation.

name

use [2]

3 (a) Complete the word equation for aerobic respiration.



(b) Describe how oxygen is transported from the lungs to a cell in a human muscle.

.....

 [2]

(c) An athlete ran on a treadmill at a slow speed for 5 minutes. She then ran on the same treadmill at a faster speed for 5 minutes.

Fig. 3.1 shows the volume of oxygen she used per minute during both runs.

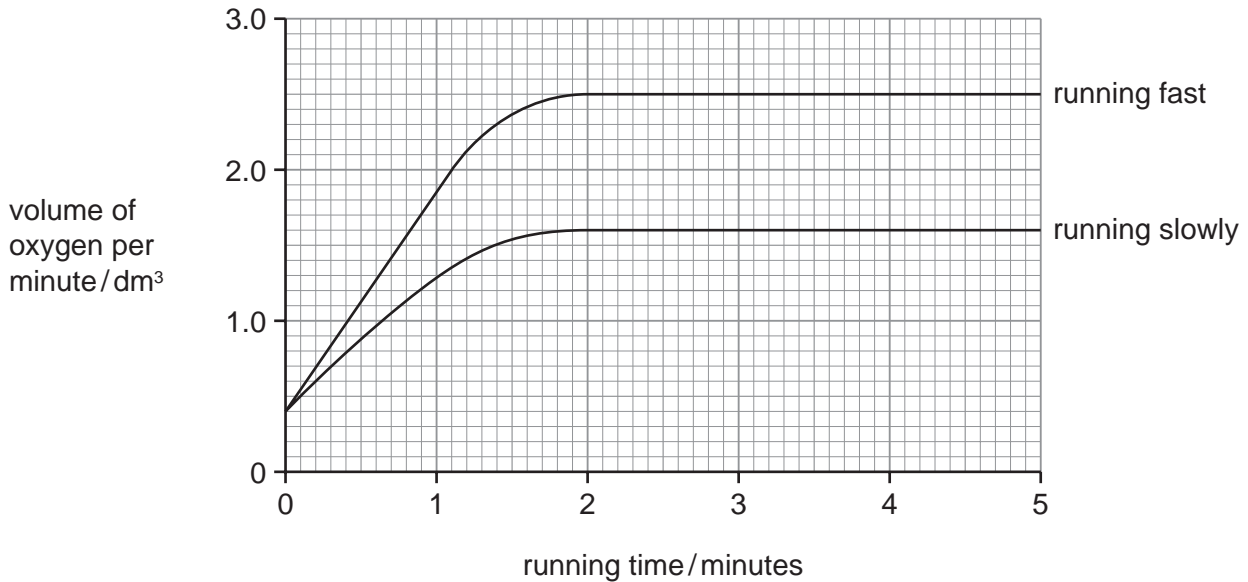


Fig. 3.1

(i) State the volume of oxygen used per minute by the athlete before she began to run.

..... dm³ [1]

(ii) Describe how the volume of oxygen used per minute during the fast run differs from the slow run.

.....

 [2]

(iii) Suggest an explanation for the differences you have described in (ii).

.....
.....
..... [2]

(d) Professional athletes do not smoke cigarettes because smoking can cause emphysema. This reduces the ability of oxygen to diffuse into the blood from the lungs.

Explain what is meant by *emphysema*.

.....
..... [1]

For
Examiner's
Use

4 Fig. 4.1 shows an electric hairdryer.

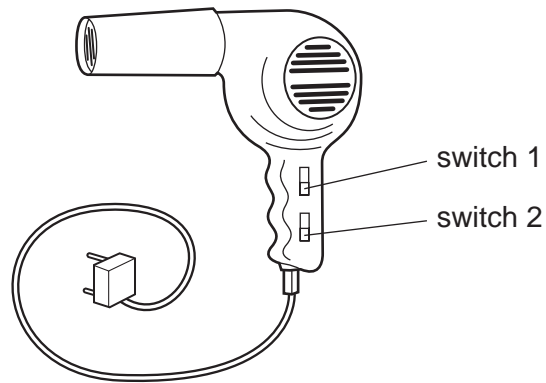


Fig. 4.1

(a) Fig. 4.2 shows the circuit diagram for the hairdryer.

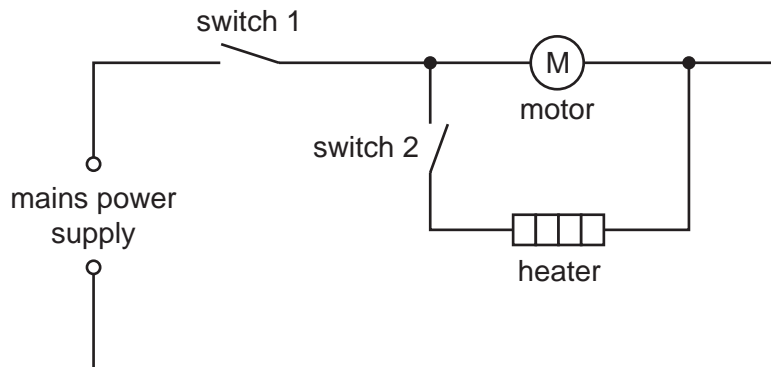


Fig. 4.2

(i) State which of the switches must be closed (on) for the heater in the hairdryer to work.

..... [1]

(ii) A student wanted to determine the resistance of the heater.

Fig. 4.3 shows the circuit he built to measure the current passing through the heater and the potential difference across the heater.

For
Examiner's
Use

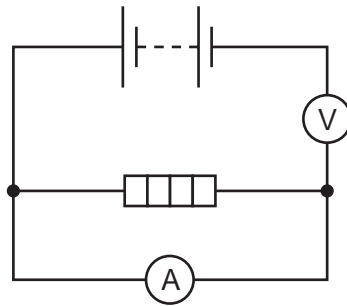


Fig. 4.3

His experiment did not work because his circuit was incorrect.

Draw the correct circuit in the space below.

[2]

(b) The electricity used in the hairdryer was generated at a power station.

(i) Name a fossil fuel that can be used in power stations.

..... [1]

(ii) Power is transmitted from the power station over large distances.

A high voltage is always used. Explain why.

.....
..... [1]

The high voltage is produced by a transformer.

Fig. 4.4 shows a simple transformer.

For
Examiner's
Use

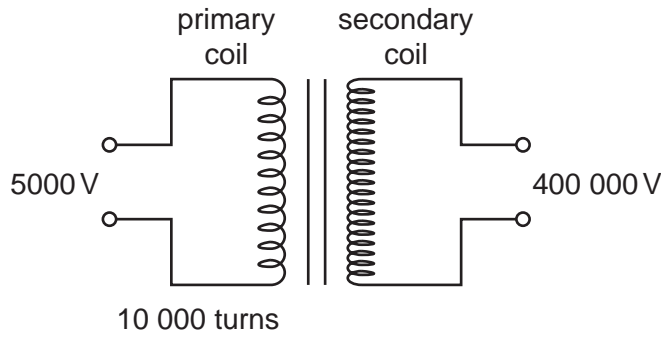


Fig. 4.4

(iii) Use the equation

$$V_p/V_s = N_p/N_s$$

to calculate the number of turns in the secondary coil.

Show your working.

number of turns = [1]

(iv) Transformers are also used between power lines and people's houses.

Explain why.

.....

 [2]

5 Fig. 5.1 shows a section through a flower.

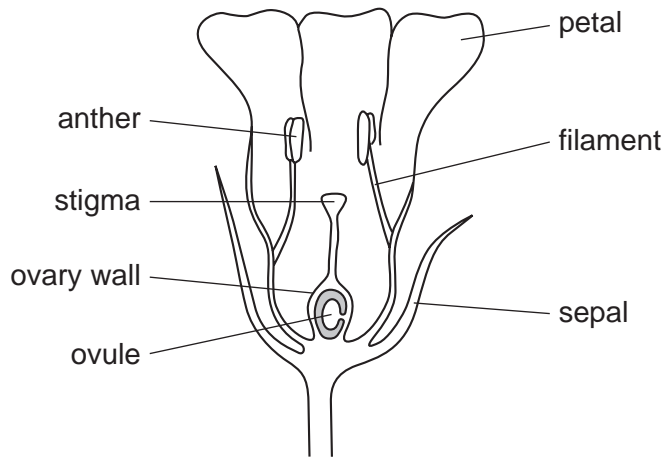


Fig. 5.1

(a) (i) State the function of each of the following parts of the flower.

petal

anther [2]

(ii) Name the part of the flower that

develops into a seed,

develops into a fruit. [2]

(b) Flowers are involved in sexual reproduction.

Complete the table to show whether each statement is true for asexual reproduction, sexual reproduction, both or neither.

Use a tick (✓) for a correct statement and a cross (✗) for an incorrect statement. You must write either a tick or cross in each space in the table.

The first statement has been completed for you.

statement	asexual reproduction	sexual reproduction
gametes are involved	✗	✓
new individuals are produced		
a zygote is produced		
offspring are always genetically identical		

[3]

- 6 Nordic gold is an alloy of four metals used to make coins.



Table 6.1 shows information about the metals contained in Nordic gold.

Table 6.1

metal	% by mass in Nordic gold	compound from which the metal is extracted
aluminium	5	Al_2O_3
copper		CuFeS_2
tin	1	SnO_2
zinc	5	ZnS

- (a) (i) Complete Table 6.1 by stating the percentage of copper in Nordic gold. [1]

- (ii) Suggest how Nordic gold could be made.

.....
..... [1]

- (iii) In the right hand column, the elements present in compounds can be identified by their symbols.

Name a metallic element present in one of the compounds in Table 6.1 which is **not** present in Nordic gold.

..... [1]

- (iv) Suggest **two** properties of Nordic gold, other than its appearance, that make it a suitable material from which to make coins.

1
2 [2]

- (b) (i) Tin may be extracted from tin oxide by heating a mixture of tin oxide and carbon. The other product of this reaction is carbon monoxide.

Write a **word** chemical equation for this reaction.

..... [1]

(ii) State and explain which substance is **oxidised** when tin is extracted from tin oxide.
substance which is oxidised

explanation

..... [2]

(c) (i) Aluminium is extracted from the ionic compound aluminium oxide by electrolysis.
Explain the meanings of the following terms that are important in electrolysis.

cathode

electrolyte

..... [3]

(ii) State how the position of aluminium in the Periodic Table shows that aluminium atoms have three electrons in their outer shell.

.....

..... [1]

- 7 (a) Fig. 7.1 shows a mother pushing her child in a baby buggy. She uses a force of 100 N.

For
Examiner's
Use



Fig. 7.1

The baby buggy is pushed 2000 m.

Calculate how much work has been done.

State the formula that you use and show your working.

formula used

working

..... J [2]

(b) A child is playing on a swing. This is shown in Fig. 7.2.

At the top of the oscillation, the child and swing are momentarily at rest.

For
Examiner's
Use

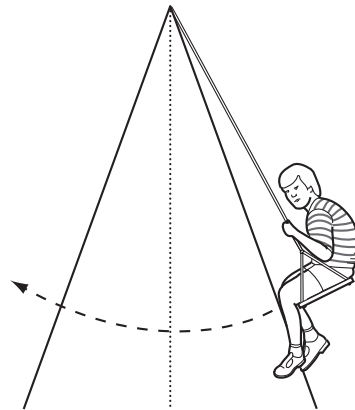


Fig. 7.2

(i) Write the correct energy type in the space to complete the box.

gravitational potential energy at the top of the oscillation	=	gravitational potential energy at the bottom of the oscillation	+ energy at the bottom of the oscillation	+	energy losses
---	---	--	---	--	---	---------------

[1]

(ii) Suggest a form of energy which is lost from the system.

..... [1]

(iii) Suggest where the lost energy goes.

..... [1]

(c) The child weighs 400 N.

The Earth's gravitational field strength is 10 N/kg.

(i) State the mass of the child.

..... kg [2]

- (ii) The average density of the human body is 1020 kg/m^3 .

Calculate the volume of the child.

State the formula that you use and show your working.

formula used

working

*For
Examiner's
Use*

..... m^3 [1]

8 Fig. 8.1 shows a tree frog that lives in a tropical rain forest.

For
Examiner's
Use

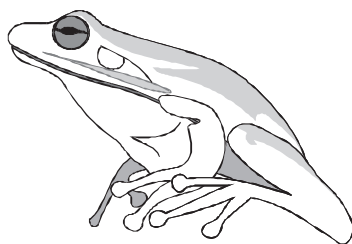


Fig. 8.1

(a) Tree frogs feed on insects. Enzymes in their alimentary canal break down large molecules in the insects into small ones.

(i) State the correct biological term for this process. [1]

(ii) Explain why this process is necessary for the frog's survival.

.....
..... [1]

(iii) Use words from the list to complete the sentences about enzymes.

- | | | | |
|----------------------|---------------|------------------|------------------|
| carbohydrates | cells | denatured | dissolved |
| hydrogen | killed | oxygen | proteins |

Enzymes are that catalyse chemical reactions in living organisms. One example of an enzyme is catalase, which breaks down hydrogen peroxide to water and Enzymes are by high temperatures. [3]

(b) Tropical rain forests have a high species diversity.

(i) Explain what is meant by *species diversity*.

.....
..... [1]

(ii) Many species of tree frog have become extinct in the last ten years.

Suggest how the loss of tree frogs from the rain forest could damage the ecosystem.

.....
.....
.....
..... [2]

*For
Examiner's
Use*

9 Hydrocarbons are compounds which contain only the elements hydrogen and carbon.

For
Examiner's
Use

(a) The simplest hydrocarbon is methane, which is an important fuel.

(i) State **one** natural source of methane.

..... [1]

(ii) Complete the displayed (graphical) formula of a methane molecule.



[2]

(iii) Carbon dioxide and carbon monoxide are compounds released into the atmosphere when methane burns.

Describe **one** environmental disadvantage of each compound.

carbon dioxide

.....

.....

carbon monoxide

.....

..... [3]

(b) Table 9.1 shows the molecular formulae and boiling points of four hydrocarbons.

For
Examiner's
Use

Table 9.1

molecular formula	boiling point/°C
C_6H_{14}	69
$C_{10}H_{22}$	174
$C_{12}H_{26}$	216
C_5H_{12}	36

- (i) Name a process which could be used to separate a mixture of the compounds in Table 9.1.

..... [1]

- (ii) Use the information in Table 9.1 to describe how the boiling point of a hydrocarbon is affected by the mass of its molecules.

.....
.....
..... [2]

DATA SHEET
The Periodic Table of the Elements

		Group											
I	II	III	IV	V	VI	VII	0						
7 Li Lithium 3	9 Be Beryllium 4	1 H Hydrogen 1	11 B Boron 5	12 C Carbon 6	14 N Nitrogen 7	16 O Oxygen 8	19 F Fluorine 9	20 Ne Neon 10					
23 Na Sodium 11	24 Mg Magnesium 12	27 Al Aluminium 13	28 Si Silicon 14	31 P Phosphorus 15	32 S Sulfur 16	35.5 Cl Chlorine 17	40 Ar Argon 18						
39 K Potassium 19	40 Ca Calcium 20	56 Fe Iron 26	55 Mn Manganese 25	59 Co Cobalt 27	59 Ni Nickel 28	64 Cu Copper 29	65 Zn Zinc 30	70 Ga Gallium 31	73 Ge Germanium 32	75 As Arsenic 33	79 Se Selenium 34	80 Br Bromine 35	84 Kr Krypton 36
85 Rb Rubidium 37	88 Sr Strontium 38	101 Ru Ruthenium 44	101 Ru Ruthenium 44	103 Rh Rhodium 45	106 Pd Palladium 46	108 Ag Silver 47	112 Cd Cadmium 48	115 In Indium 49	119 Sn Tin 50	122 Sb Antimony 51	128 Te Tellurium 52	127 I Iodine 53	131 Xe Xenon 54
133 Cs Caesium 55	137 Ba Barium 56	186 Os Osmium 76	186 Os Osmium 76	184 W Tungsten 74	195 Pt Platinum 78	197 Au Gold 79	201 Hg Mercury 80	204 Tl Thallium 81	207 Pb Lead 82	209 Bi Bismuth 83	210 Po Polonium 84	210 At Astatine 85	210 Rn Radon 86
226 Ra Radium 88	227 Ac Actinium 89	140 Ce Cerium 58	144 Nd Neodymium 60	141 Pr Praseodymium 59	152 Eu Europium 63	157 Gd Gadolinium 64	159 Tb Terbium 65	162 Dy Dysprosium 66	165 Ho Holmium 67	167 Er Erbium 68	169 Tm Thulium 69	173 Yb Ytterbium 70	175 Lu Lutetium 71
232 Th Thorium 90	238 U Uranium 92	232 Th Thorium 90	238 U Uranium 92	232 Th Thorium 90	238 U Uranium 92	238 U Uranium 92	238 U Uranium 92	238 U Uranium 92	238 U Uranium 92	238 U Uranium 92	238 U Uranium 92	238 U Uranium 92	238 U Uranium 92

*58-71 Lanthanoid series
†90-103 Actinoid series

a	X	a = relative atomic mass
b	X	X = atomic symbol
b	X	b = proton (atomic) number

The volume of one mole of any gas is 24 dm³ at room temperature and pressure (r.t.p.).

Permission to reproduce items where third-party owned material protected by copyright is included has been sought and cleared where possible. Every reasonable effort has been made by the publisher (UCLES) to trace copyright holders, but if any items requiring clearance have unwittingly been included, the publisher will be pleased to make amends at the earliest possible opportunity.

University of Cambridge International Examinations is part of the Cambridge Assessment Group. Cambridge Assessment is the brand name of University of Cambridge Local Examinations Syndicate (UCLES), which is itself a department of the University of Cambridge.