



Centre Number

71	
----	--

Candidate Number

--

General Certificate of Secondary Education
2013–2014

Double Award Science: Physics

Unit P1

Higher Tier

[GSD32]



MONDAY 19 MAY 2014, AFTERNOON

TIME

1 hour, plus your additional time allowance.

INSTRUCTIONS TO CANDIDATES

Write your Centre Number and Candidate Number in the spaces provided at the top of this page.

Write your answers in the spaces provided in this question paper.
Answer **all nine** questions.

INFORMATION FOR CANDIDATES

The total mark for this paper is 70.

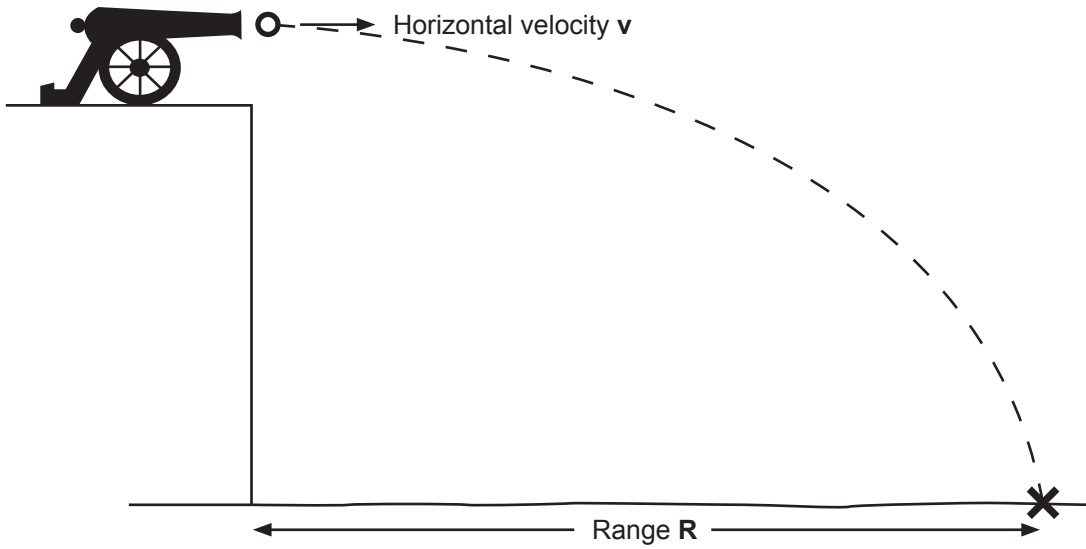
Figures in brackets printed down the right-hand side of pages indicate the marks awarded to each question or part question.

Quality of written communication will be assessed in Questions **2(a)** and **5**.

For Examiner's use only	
Question Number	Marks
1	
2	
3	
4	
5	
6	
7	
8	
9	

Total Marks	
--------------------	--

- 1 The range R of a cannonball depends on the horizontal velocity v when fired from the top of a cliff.

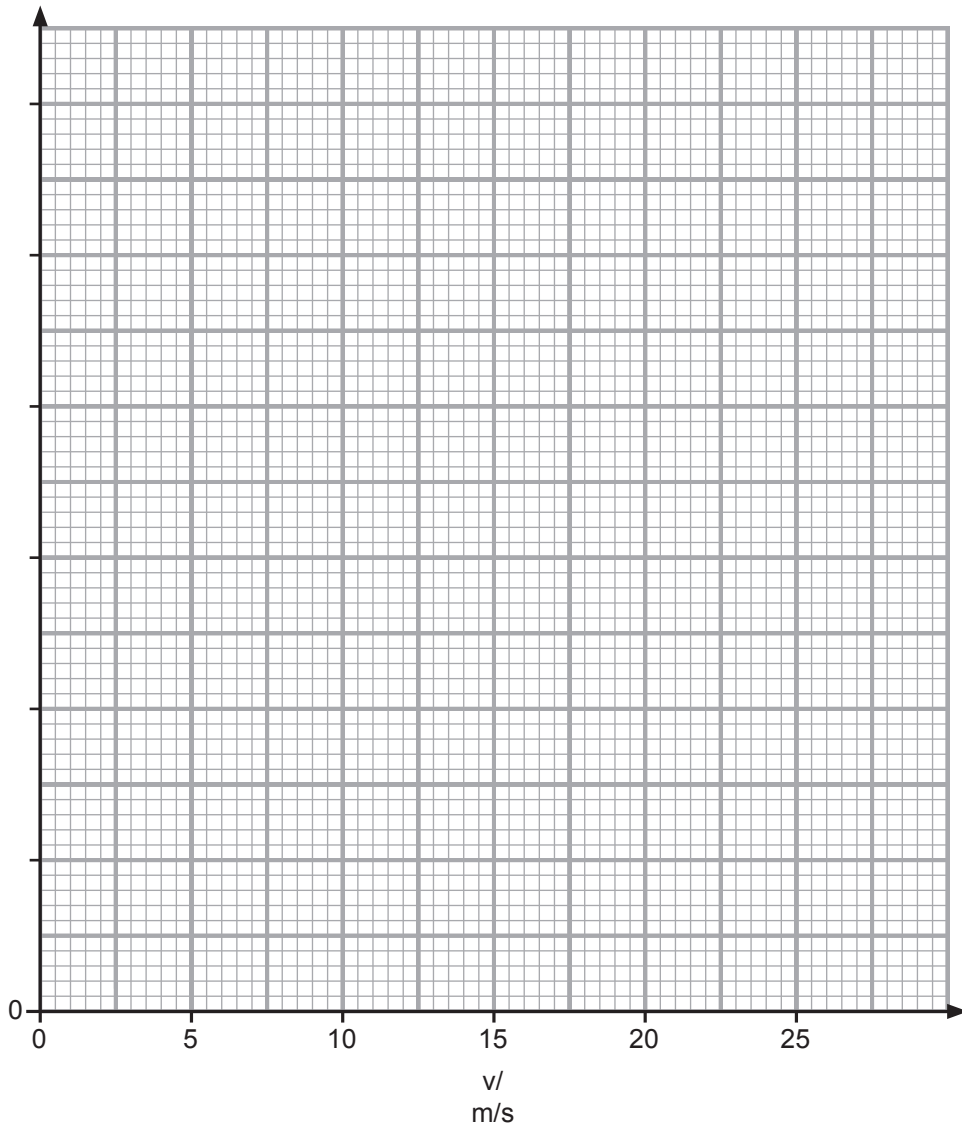


A series of readings is shown in the table below.

$v/$ m/s	0	5	10	15	20
R/m	0	30	60	90	120

- (a) (i) Label and choose a suitable scale for the vertical axis.
Do this on the graph. [2]
- (ii) Plot the points on the graph and draw the straight line of best fit. [3]

Examiner Only	
Marks	Remark
○	○



Examiner Only	
Marks	Remark

- (b) Find the gradient of the graph.
Remember to include the unit for the gradient.
You should show your working out.

Gradient = _____

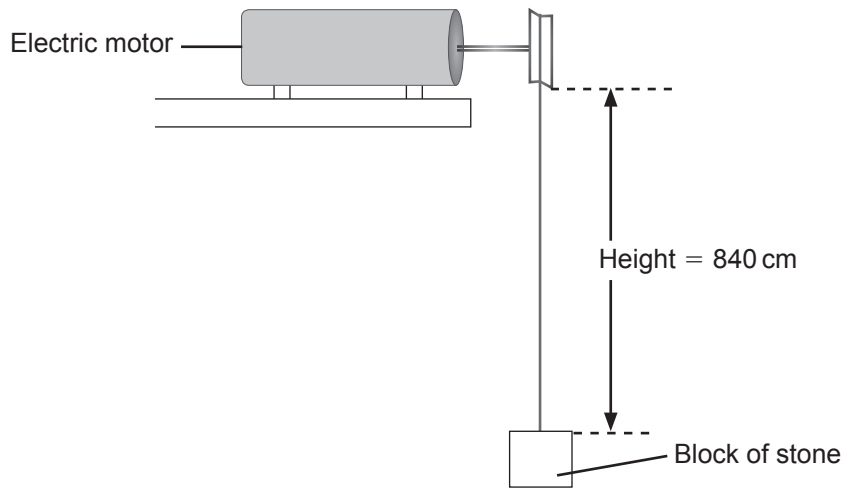
Unit = _____ [4]

- (c) Use the graph to find the range, **R**, of the cannonball when its horizontal velocity is 12 m/s.

Range = _____ m [1]

BLANK PAGE

- 3 An electric motor lifts a block of stone, of weight 150 N, through a vertical distance of 840 cm.



- (i) Calculate the work done.

You should show your working out.

Work done = _____ J [4]

- (ii) Into what energy form has this work been changed?

Work has become _____ [1]

Examiner Only	
Marks	Remark
<input type="text"/>	<input type="text"/>

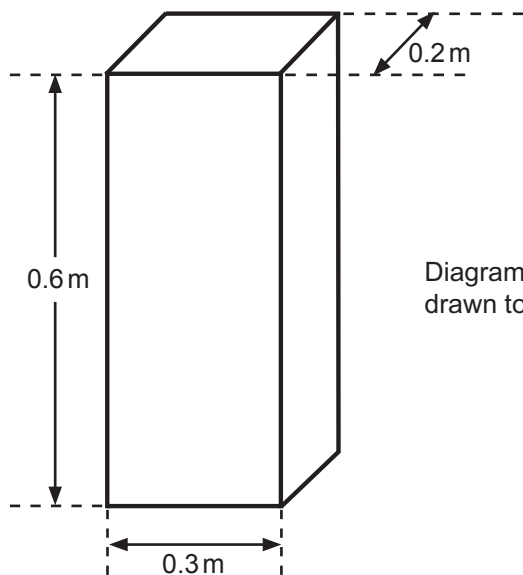
(iii) If the motor uses 2100 J of electrical energy, calculate the efficiency of the motor.

You should show your working out.

Efficiency = _____ [3]

Examiner Only	
Marks	Remark

4 An aluminium block has the dimensions shown below.



(i) Find the volume of the aluminium block, in m^3 .

You should show your working out.

Volume = _____ m^3 [2]

The density of aluminium is 2700 kg/m^3 .

(ii) Calculate the mass of the block.

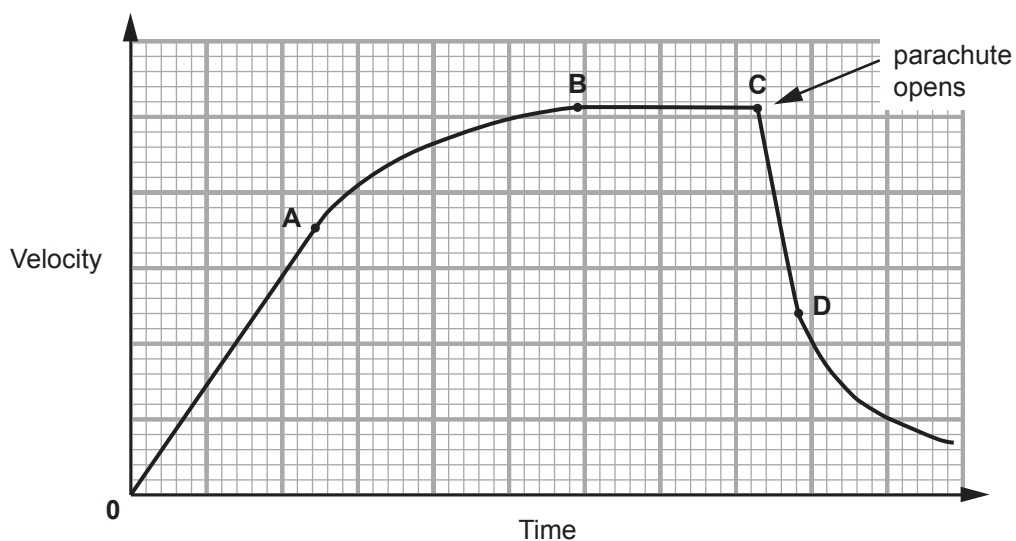
You should show your working out.

Mass = _____ kg [3]

Examiner Only	
Marks	Remark
<input type="text"/>	<input type="text"/>

- 6 A skydiver jumps from an aircraft and for a time falls through the air without his parachute open. After a time he opens his parachute.

The diagram shows the velocity–time graph of his fall.



Use the letters on the graph to answer the questions below.

- (a) (i) During what time interval is he falling at constant velocity?

From _____ to _____ [1]

- (ii) During what time interval are the forces acting on the skydiver balanced?

From _____ to _____ [1]

- (iii) During what time interval is the force acting upward on the skydiver greater than the weight of the skydiver?

From _____ to _____ [1]

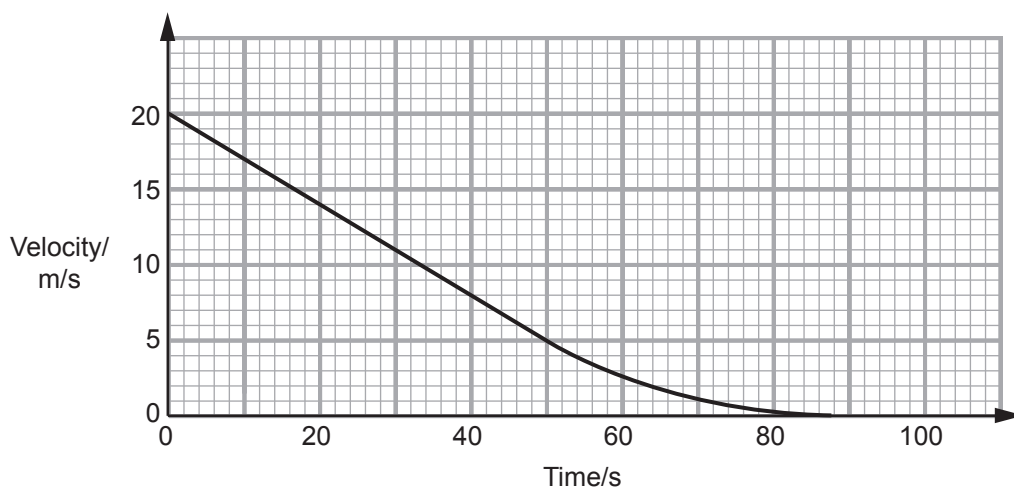
- (iv) Write down the name of the upward force in part (iii).

_____ [1]

Examiner Only	
Marks	Remark
○	○

A velocity–time graph for a different skydiver is shown below **from the instant that the parachute opens.**

Examiner Only	
Marks	Remark



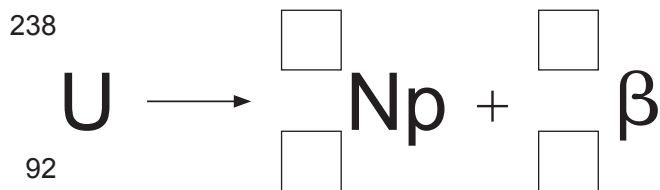
(b) Calculate how far the skydiver falls in the first 50 seconds.

You should show your working out.

Height = _____ m [4]

7 A radioactive nucleus of uranium decays by emitting a beta particle.

(a) Complete the equation below by writing the correct numbers in the boxes.



[4]

(b) (i) Neptunium (Np) has a half-life of 46 days.

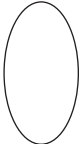
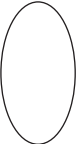
Explain fully what the term 'half-life' means.

_____ [2]

(ii) Starting with 50.00 grams of neptunium, calculate how long it takes for 43.75 grams of it to decay.

You should show your working out.

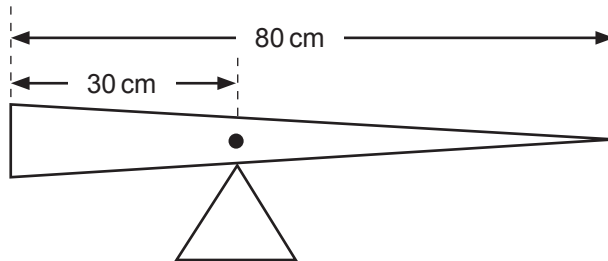
Time = _____ days [4]

Examiner Only	
Marks	Remark
	

8 (a) Write down the Principle of Moments.

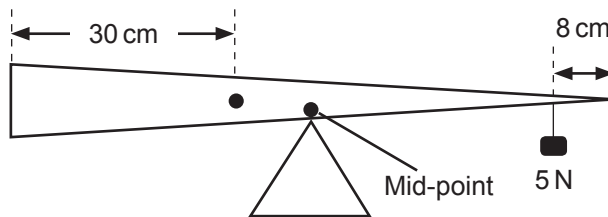
[2]

(b) (i) A non-uniform plank of wood of length 80 cm is balanced on a pivot as shown below.



We now know that the position of the centre of gravity of the plank is 30 cm from the left-hand end and this is shown by a dot on the diagram.

The plank is now moved and **rebalanced at its mid-point** using a 5 N weight placed 8 cm from the right-hand end.



Calculate the weight of the plank.

You should show your working out.

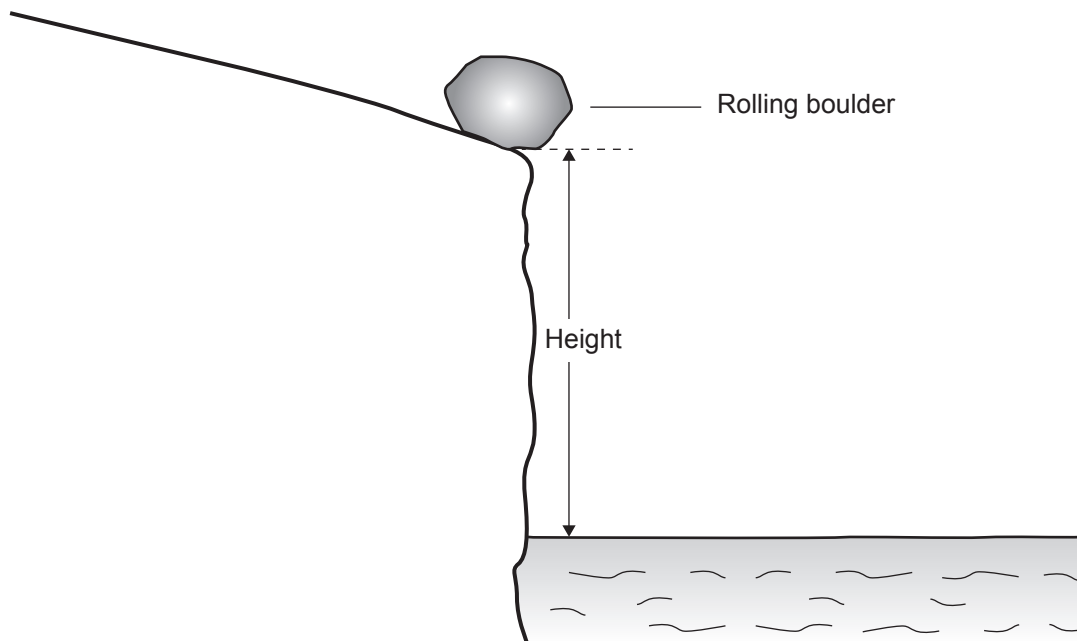
Weight of plank = _____ N [3]

(ii) Calculate the upward force that is now exerted by the triangular support.

Upward force = _____ N [1]

Examiner Only	
Marks	Remark
○	○

- 9 A boulder, of mass 440 kg, rolls down a slope and into the sea.



In the position shown at the edge of the cliff the boulder has a kinetic energy of 3520 J and a potential energy of 52 800 J.

- (a) Calculate the height of the cliff.

You should show your working out.

Height of cliff = _____ m [3]

- (b) (i) Calculate the kinetic energy of the boulder as it hits the water.
Assume no energy losses.

Kinetic energy = _____ J [1]

Examiner Only	
Marks	Remark
<input type="text"/>	<input type="text"/>

(ii) Calculate the velocity of the boulder when it hits the water.

You should show your working out.

Velocity = _____ m/s [4]

THIS IS THE END OF THE QUESTION PAPER

Examiner Only	
Marks	Remark

Permission to reproduce all copyright material has been applied for.
In some cases, efforts to contact copyright holders may have been unsuccessful and CCEA
will be happy to rectify any omissions of acknowledgement in future if notified.