

**GENERAL CERTIFICATE OF SECONDARY EDUCATION  
 TWENTY FIRST CENTURY SCIENCE**

**A332/01**

**PHYSICS A**

Unit 2 Modules P4 P5 P6 (Foundation Tier)

**SAMPLE ASSESSMENT MATERIAL  
 (from 2010 onwards)**

Time: 40 minutes

Candidates answer on the question paper

**Additional materials (enclosed):**  
 None

Calculators may be used.

**Additional materials:** Pencil  
 Ruler (cm/mm)

Candidate  
 Forename

--

Candidate  
 Surname

--

Centre  
 Number

--	--	--	--	--	--

Candidate  
 Number

--	--	--	--

**INSTRUCTIONS TO CANDIDATES**

- Write your name in capital letters, your Centre Number and Candidate Number in the boxes above.
- Use black ink. Pencil may be used for graphs and diagrams only.
- Read each question carefully and make sure you know what you have to do before starting your answer.
- Answer **all** the questions.
- Do **not** write in the bar codes.
- Do **not** write outside the box bordering each page.
- Write your answer to each question in the space provided.

**INFORMATION FOR CANDIDATES**

- The number of marks for each question is given in brackets [ ] at the end of each question or part question.
- The total number of marks for this paper is **42**.
- A list of physics equations is printed on page two.

FOR EXAMINER'S USE		
Qu.	Max.	Mark
1	5	
2	4	
3	4	
4	4	
5	4	
6	2	
7	4	
8	4	
9	4	
10	3	
11	4	
<b>TOTAL</b>	<b>42</b>	

## TWENTY FIRST CENTURY SCIENCE EQUATIONS

### Useful Relationships

#### Explaining Motion

$$\text{speed} = \frac{\text{distance travelled}}{\text{time taken}}$$

$$\text{momentum} = \text{mass} \times \text{velocity}$$

$$\text{change of momentum} = \text{resultant force} \times \text{time for which it acts}$$

$$\text{work done by a force} = \text{force} \times \text{distance moved by the force}$$

$$\text{change in energy} = \text{work done}$$

$$\text{change in GPE} = \text{weight} \times \text{vertical height difference}$$

$$\text{kinetic energy} = \frac{1}{2} \times \text{mass} \times [\text{velocity}]^2$$

#### Electric Circuits

$$\text{resistance} = \frac{\text{voltage}}{\text{current}}$$

$$\frac{\text{Voltage across primary coil}}{\text{Voltage across secondary coil}} = \frac{\text{Number of turns in primary coil}}{\text{Number of turns in secondary coil}}$$

$$\text{energy transferred} = \text{power} \times \text{time}$$

$$\text{power} = \text{potential difference} \times \text{current}$$

$$\text{efficiency} = \frac{\text{energy usefully transferred}}{\text{total energy supplied}} \times 100\%$$

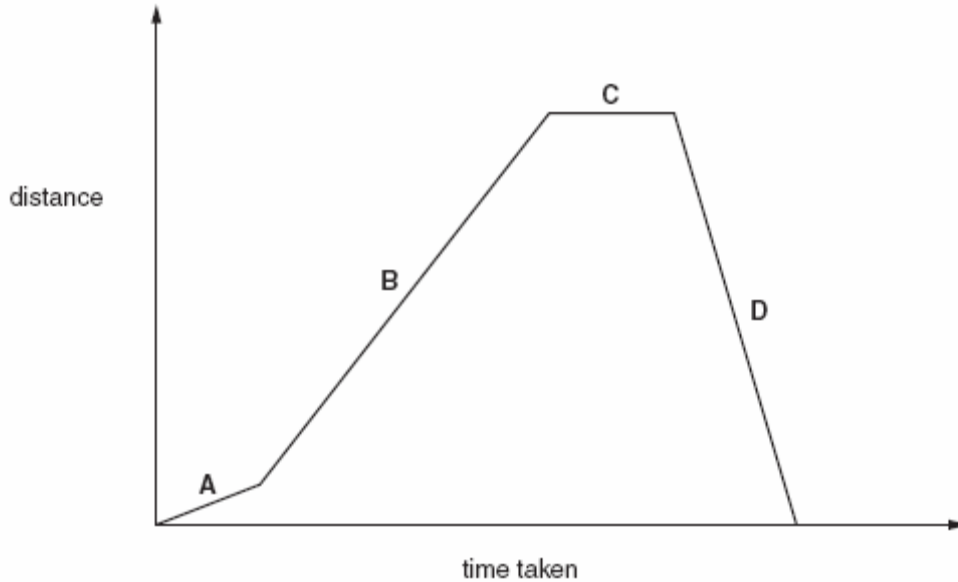
#### The Wave Model of Radiation

$$\text{wave speed} = \text{frequency} \times \text{wavelength}$$

Answer **all** the questions.

- 1 Dan goes to buy a newspaper for his granddad in the morning. He walks in a straight line to the shop and back.

(a) The graph shows the distance Dan is from home and the time it takes.



Complete the table below.

Each letter may be used once, more than once or not at all.

what Dan is doing	Part of the graph (A, B C or D)
standing still	
walking at his fastest speed	
walking with a negative velocity	

[3]

(b) Dan is walking, so he has momentum.

The equation linking momentum, mass and velocity is:

$$\text{momentum} = \text{mass} \times \text{velocity}$$

Dan has a mass of 60 kg.

At one time his velocity is 2 m / s.

Calculate Dan's momentum. Show your working

momentum = ..... kg m / s [2]

[Total: 5]

2 Bobby is playing with a ball.



(a) Complete the following sentences.  
Choose words from this list.

**distance**

**mass**

**muscle**

**weight**

Bobby lifts the ball above his head.

The force acting downwards on the ball is .....

To calculate the work done by Bobby in lifting the ball you must multiply the force by the  
..... [2]

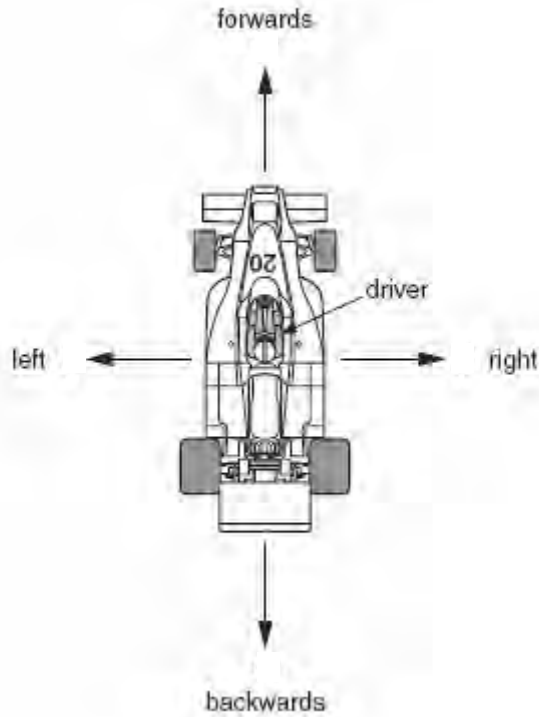
(b) Bobby lets the ball fall to the ground.

Describe the energy change as the ball falls to the ground.

.....  
.....  
..... [2]

**[Total: 4]**

3 A driver in a car experiences forces in different directions as he drives forwards.



(a) Describe the forces acting on the driver as the car slows down **and** turns left at the same time.

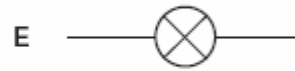
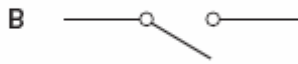
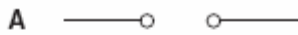
.....  
.....  
..... [2]

(b) When the car speeds up in a straight line the driver and the car exert forces on each other. Describe these forces.

.....  
.....  
..... [2]

[Total: 4]

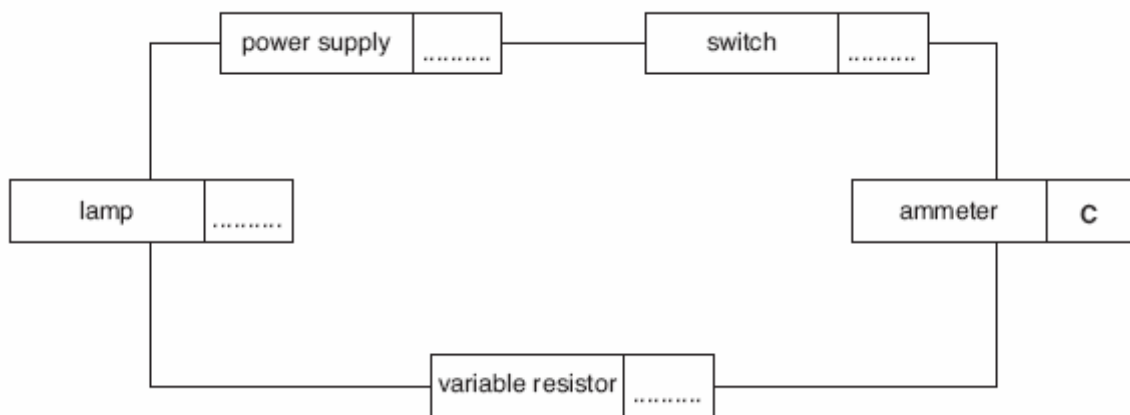
4 Here are some circuit symbols for electrical components.



This circuit uses some of the components.

Write the **letter** for each component symbol in the correct box in the circuit.

One has been done for you.



[4]

[Total: 4]

5 The most commonly used model of electric circuits uses ideas about current and electrons.

Complete the sentences. Choose statements from this list.

**a flow of charge**

**a repulsive force**

**a continuous loop**

**an attractive force**

**a negative charge**

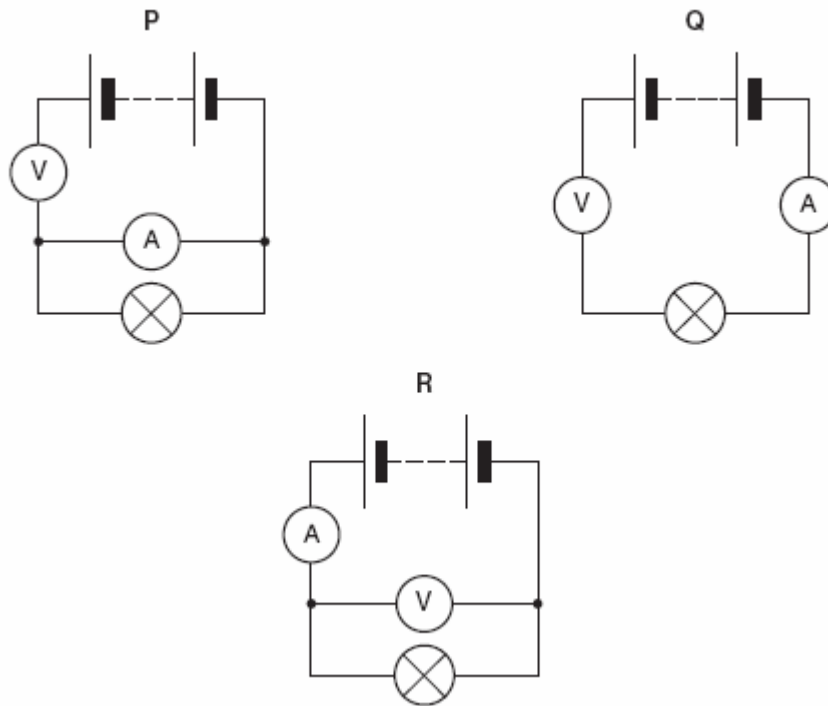
- (a) An electron has ..... [1]
- (b) In a circuit the electrons move in ..... [1]
- (c) Electric current is ..... [1]
- (d) Two negative charges are pushed apart by ..... [1]

**[Total: 4]**



6 This question is about making measurements in an electric circuit.

Here are three circuits.



- (a) Which circuit, **P**, **Q** or **R**, is correct for measuring the current through the lamp and the voltage across the lamp?

answer..... [1]

- (b) Put a **ring** around the word which means the same as potential difference.

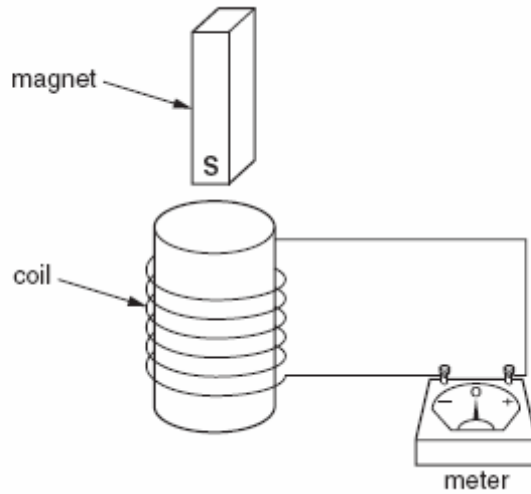
**charge**      **current**      **power**      **voltage**

[1]

[Total: 2]

7 Electricity can be generated by moving a magnet in a coil of wire.

The diagram shows a magnet held above a coil of wire.



Experiments with this apparatus can show how the electricity is generated.

(a) Draw a straight line from each experiment to what happens on the meter.

The first line has been done for you.

experiment	what happens on the meter
push the South end of the magnet into the coil	needle flicks to right
pull the South end of the magnet out of the coil	needle does not move
push the North end of the magnet into the coil	needle flicks to left
hold the magnet still in the coil	

[3]

(b) What is the name for this method of producing a voltage?

Put a **ring** around the correct answer

**deduction**

**induction**

**reduction**

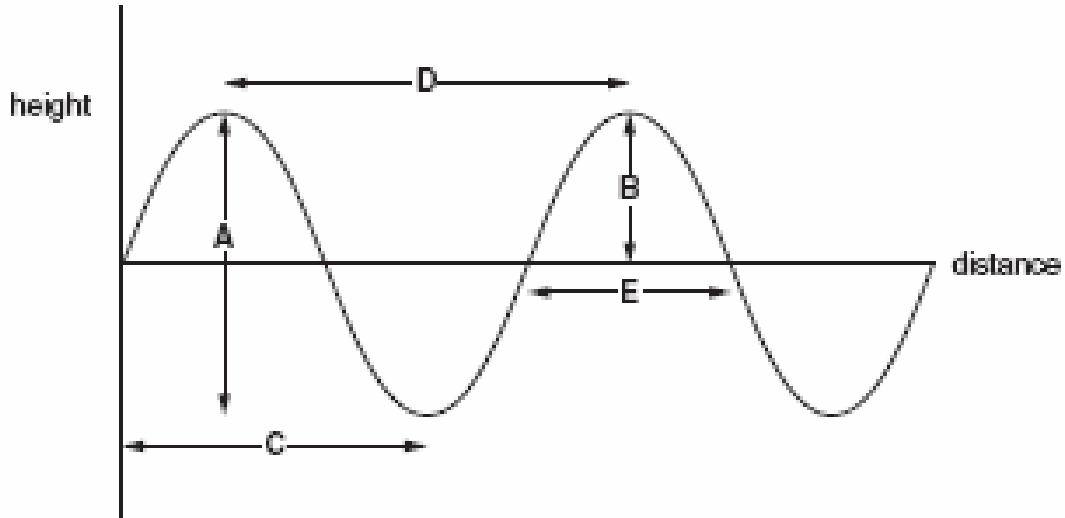
**transformation**

[1]

[Total: 4]

8 Water waves and sound waves are different.

(a) This is a diagram of a water wave.



(i) Which letter, A, B, C, D or E, shows the amplitude of the wave?

answer..... [1]

(ii) Which letter, A, B, C, D or E, shows the wavelength of the wave?

answer..... [1]

(b) Some water waves are transverse waves.

Another type of wave is a longitudinal wave.

What is the difference between transverse and longitudinal waves?

Your answer should include;

- how a particle moves
- an example of a longitudinal wave.

.....

.....

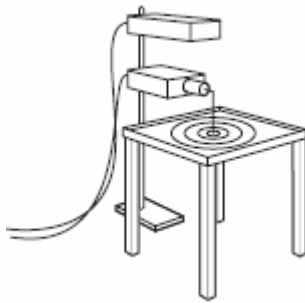
.....

.....

..... [2]

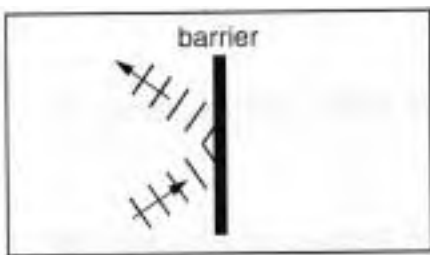
[Total: 4]

9 Susan is experimenting with water waves in a ripple tank.

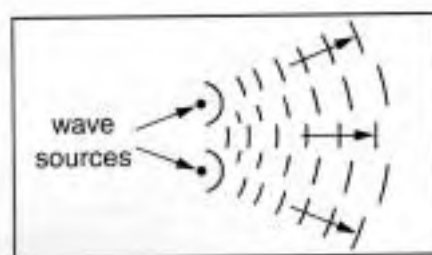


She draws some diagrams to show different wave properties.

**reflection**

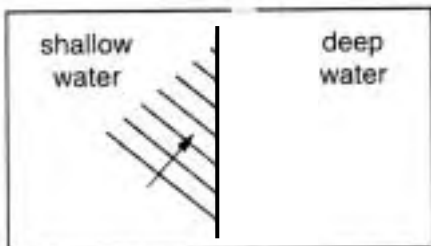


**interference**

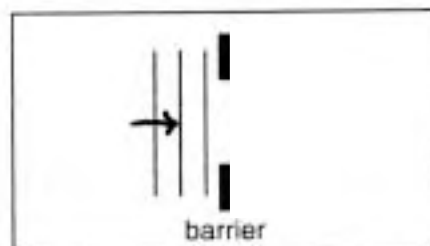


**Complete** the diagrams below for refraction and diffraction.

**refraction**



**diffraction**



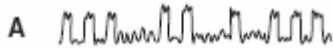
[4]

[Total: 4]

10 Information can be sent using analogue or digital signals.

Sometimes the signals pick up noise.

Here are four different signals.



Explain the meanings of **analogue** and **digital** signals and **noise**.

Refer to the signal diagrams **A**, **B**, **C** and **D**, in your answers.

.....

.....

.....

.....

.....

.....

.....

..... [3]

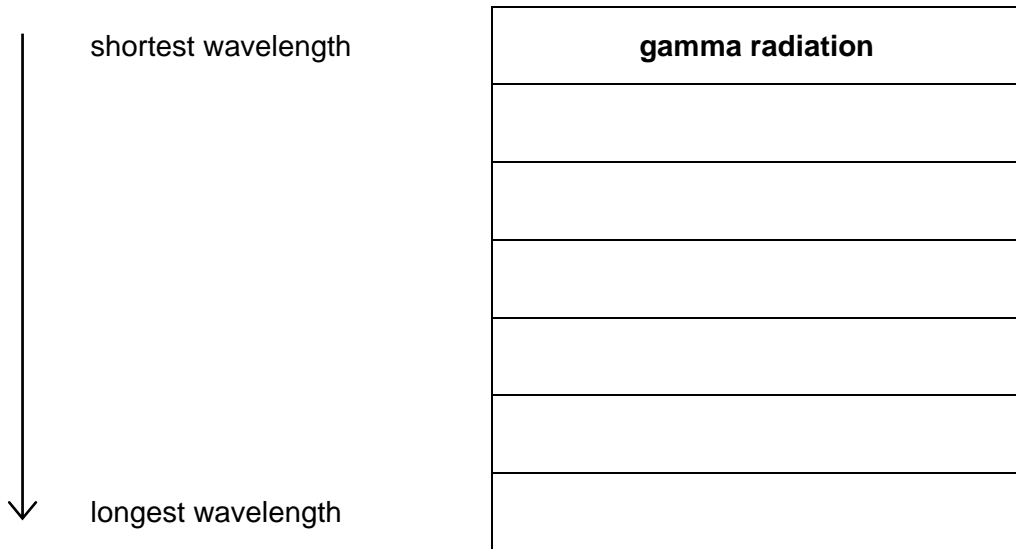
[Total: 3]

11 Here are different parts of the electromagnetic spectrum.

- gamma radiation
- infrared
- microwaves
- radio waves
- ultraviolet
- visible light
- X-rays

(a) Put the parts of the electromagnetic spectrum in order of **increasing wavelength**.

The first one has been done for you.



[3]

(b) Photons with the highest frequency have the most energy.

Write down the name of the part of the spectrum that has photons with the most energy.

answer ..... [1]

[Total: 4]

**END OF QUESTION PAPER**

---

Permission to reproduce items where third-party owned material protected by copyright is included has been sought and cleared where possible. Every reasonable effort has been made by the publisher (OCR) to trace copyright holders, but if any items requiring clearance have unwittingly been included, the publisher will be pleased to make amends at the earliest possible opportunity.

OCR is part of the Cambridge Assessment Group. Cambridge Assessment is the brand name of University of Cambridge Local Examinations Syndicate (UCLES), which is itself a department of the University of Cambridge.



## CONFIDENTIAL

GCSE Unit

MARK SCHEME

SAMPLE ASSESSMENT MATERIAL  
(from 2010 onwards)

**Physics A (J635)**  
**Modules P4, P5 and P6**  
**Foundation Tier**

**A332/01**

Maximum Mark: 42

## Guidance for Examiners

Additional Guidance within any mark scheme takes precedence over the following guidance.

1. Mark strictly to the mark scheme.
2. Make no deductions for wrong work after an acceptable answer unless the mark scheme says otherwise.
3. Accept any clear, unambiguous response which is correct, e.g. mis-spellings if phonetically correct (but check additional guidance).
4. Abbreviations, annotations and conventions used in the detailed mark scheme:

/	= alternative and acceptable answers for the same marking point
(1)	= separates marking points
<b>not/reject</b>	= answers which are not worthy of credit
<b>ignore</b>	= statements which are irrelevant - applies to neutral answers
<b>allow/accept</b>	= answers that can be accepted
(words)	= words which are not essential to gain credit
<u>words</u>	= underlined words must be present in answer to score a mark
ecf	= error carried forward
AW/owtte	= alternative wording
ORA	= or reverse argument

E.g. mark scheme shows 'work done in lifting / (change in) gravitational potential energy' (1)

work done = 0 marks

work done lifting = 1 mark

change in potential energy = 0 marks

gravitational potential energy = 1 mark

5. If a candidate alters his/her response, examiners should accept the alteration.
6. Crossed out answers should be considered only if no other response has been made. When marking crossed out responses, accept correct answers which are clear and unambiguous.
7. The list principle:  
If a list of responses greater than the number requested is given, work through the list from the beginning. Award one mark for each correct response, ignore any neutral response, and deduct one mark for any incorrect response, e.g. one which has an error of science. If the number of incorrect responses is equal to or greater than the number of correct responses, no marks are awarded. A neutral response is correct but irrelevant to the question.

8. Marking method for tick boxes:

Always check the additional guidance.

If there is a set of boxes, some of which should be ticked and others left empty, then judge the entire set of boxes.

If there is at least one tick, ignore crosses. If there are no ticks, accept clear, unambiguous indications, e.g. shading or crosses.

Credit should be given for each box correctly ticked. If more boxes are ticked than there are correct answers, then deduct one mark for each additional tick. Candidates cannot score less than zero marks.

E.g. If a question requires candidates to identify a city in England, then in the boxes

Edinburgh	
Manchester	
Paris	
Southampton	

the second and fourth boxes should have ticks (or other clear indication of choice) and the first and third should be blank (or have indication of choice crossed out).

Edinburgh			✓			✓	✓	✓	✓	
Manchester	✓	x	✓	✓	✓				✓	
Paris				✓	✓		✓	✓	✓	
Southampton	✓	x		✓		✓	✓		✓	
Score:	2	2	1	1	1	1	0	0	0	NR

Question		Expected Answers	Marks	Rationale	
1	a		3		
					part of the graph
		standing still			C (1)
		walking			D (1)
		negative velocity	D (1)		
	b	substitution : $60 \times 2$ (1) calculation : 120 (1)	2	award 2 marks for correct numerical answer	
<b>Total</b>			<b>5</b>		

Question		Expected Answers	Marks	Rationale
2		weight; (1)	2	
		distance; (1)		
		gravitational potential energy; <b>to</b> kinetic energy;	2	note: direction must be correct for two marks
<b>Total</b>			<b>4</b>	

Question		Expected Answers	Marks	Rationale
3	a	Forces on driver are backwards; and left;	2	
	b	forces are equal (in size); and opposite in direction; OR forwards on car; backwards on driver;		
<b>Total</b>			<b>4</b>	

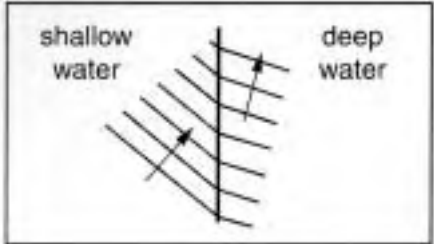
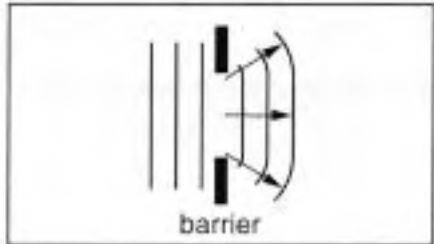
Question		Expected Answers	Marks	Rationale
4		power supply = A (1) switch = B (1) lamp = E (1) variable resistor = F (1)	4	<b>allow</b> symbols if drawn correctly
		<b>Total</b>	<b>4</b>	

Question		Expected Answers	Marks	Rationale
5	a	a negative charge (1)	1	Clear identification of phrase (from list)
	b	a continuous loop (1)	1	Clear identification of phrase (from list)
	c	a flow of charge (1)	1	Clear identification of phrase (from list)
	d	a repulsive force (1)	1	Clear identification of phrase (from list)
		<b>Total</b>	<b>4</b>	

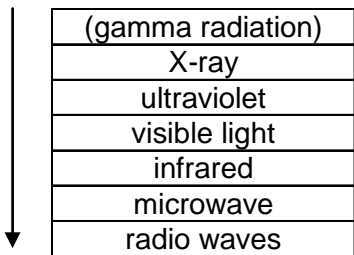
Question		Expected Answers	Marks	Rationale
6	a	R (1)	1	
	b	voltage (1)	1	
		<b>Total</b>	<b>2</b>	

Question		Expected Answers	Marks	Rationale
7	a		3	Mark lines from left hand box 1 mark for each correct line If two or more lines from left hand box, no mark
	b	induction (1)	1	
		<b>Total</b>	<b>4</b>	

Question		Expected Answers	Marks	Rationale
8	a i	B (1)	1	
	ii	D (1)	1	
	b	sound/p-wave (1);  transverse particles oscillate/vibrate perpendicular/orthogonal/at 90 degrees to direction of the wave. longitudinal particles oscillate / vibrate in the same direction as the wave(1)	2	<b>allow</b> move instead of oscillate  1 mark for named example of longitudinal wave  1 mark for difference in particle movement.
		<b>Total</b>	<b>4</b>	

Question	Expected Answers	Marks	Rationale
9	<p><b>refraction</b> wave fronts touch those drawn; waves bend upwards;</p>  <p><b>diffraction</b> wavelength unchanged; bends outwards at edges</p> 	2  2	ignore wavelength  accept circular waves
<b>Total</b>		<b>4</b>	

Question	Expected Answers	Marks	Rationale
10	<p>digital – has two values only, (refers to diagrams A, B or D) (1) analogue – many values (refers to diagram C) (1) noise – additional unwanted bits / signal added (refers to diagrams A or D) (1)</p>	3	must include a reference to a correct diagram for mark.
<b>Total</b>		<b>3</b>	

Question		Expected Answers	Marks	Rationale
11	a		3	X-ray above ultraviolet Ultraviolet above visible Visible above infrared Infrared above microwave Microwave above radio waves  5 correct (3) 3 or 4 correct (2) 1 or 2 correct (1)  accept phonetic spelling accept uv for ultraviolet accept ir for infrared accept $\mu$ wave for microwave accept radio for radio waves accept initial letters for each
	b	gamma (1)	1	Accept phonetic spelling Accept 'cosmic rays'
<b>Total</b>			<b>4</b>	
<b>Section total</b>			<b>42</b>	