



Rewarding Learning

General Certificate of Secondary Education

2010

Motor Vehicle and Road User Studies

Paper 1 Higher Tier

[G6803]

WEDNESDAY 19 MAY, MORNING



G6803

StudentBounty.com

Centre Number	
71	

Candidate Number	
------------------	--

For Examiner's use only

Question Number	Marks
1	
2	
3	
4	
5	
6	
7	
8	
9	
10	
11	
12	
13	
14	
15	
16	
17	
18	
19	
20	
21	
22	
23	
24	
25	
26	
27	
28	
29	
30	
31	
32	
33	

Total Marks	
--------------------	--

TIME

2 hours.

INSTRUCTIONS TO CANDIDATES

Write your Centre Number and Candidate Number in the spaces provided at the top of this page.
 Write your answers in the spaces provided in this question paper.
 Answer **all thirty-three** questions.
 You are provided with an insert for use with Questions **17** and **18** in this paper.
 Do not write your answers on this insert.

INFORMATION FOR CANDIDATES

The total mark for this paper is 180.
 Quality of written communication will be assessed in Questions **31**, **32** and **33**.
 Figures in brackets printed down the right-hand side of pages indicate the marks awarded to each question or part question.
 You are advised to spend approximately 45 minutes on Section A and 75 minutes on Section B.
 You may use an electronic calculator.

8 Write down **two** pieces of information you must give the DVLNI if there is a change to your personal details.

1. _____
2. _____ [2]

9 List **three** hazards which a motorist might meet when driving on country roads.

1. _____
2. _____
3. _____ [3]

10 Name **three** actions you could take to make a vehicle safe following a collision.

1. _____
2. _____
3. _____ [3]

Examiner Only	
Marks	Remark

11 (a) State why a rear-facing baby seat must not be used in the front passenger seat of a vehicle if the seat is protected by an active frontal air bag.

_____ [2]

(b) Name **three** legal requirements for a passenger supervising a learner driver.

1. _____

2. _____

3. _____ [3]

12 List **two** advantages and **two** disadvantages for electric, tracked trams in a large city.

Advantages 1. _____

2. _____

Disdvantages 1. _____

2. _____ [4]

Examiner Only	
Marks	Remark

13 Study the motorway map in Fig. 13.1 below.

Examiner Only	
Marks	Remark

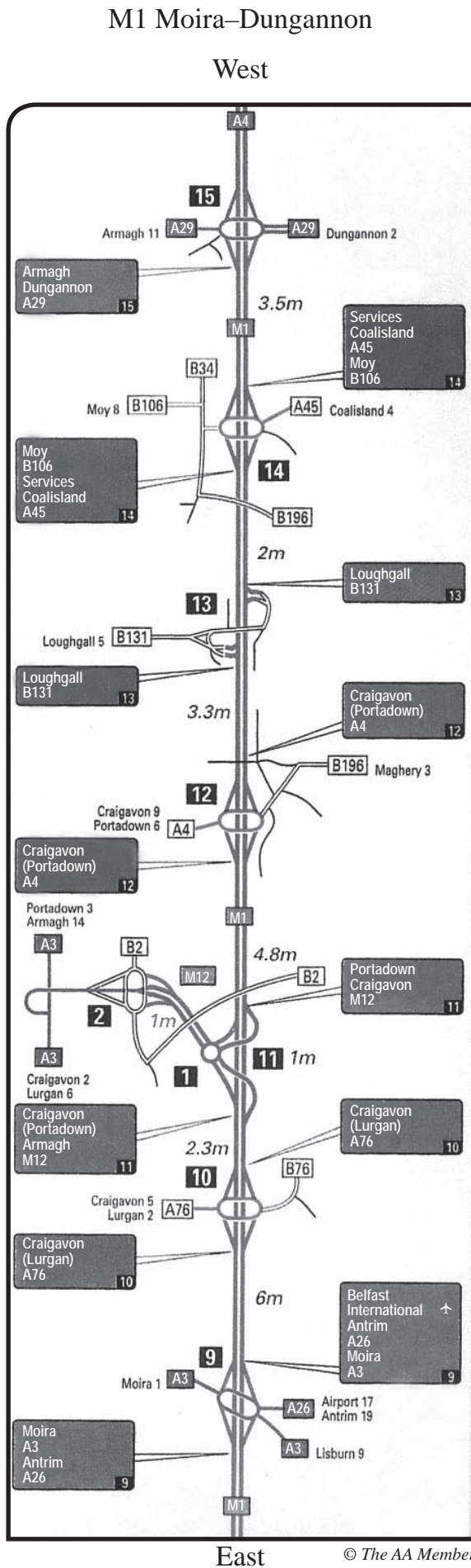


Fig. 13.1

(a) What is the distance between junction 15 and junction 12?

_____ [1]

(b) What feature shown at junction 11 is very rarely seen on a motorway?

_____ [1]

(c) At which junction would you leave the motorway to travel to Belfast International Airport and how much further would you have to travel?

Junction _____
_____ **miles** [2]

(d) If you were travelling west and wanted to go to Armagh, but wanted to travel on the motorway as far as possible, at what junction would you exit for Armagh?

_____ [1]

14 (a) What could a motorist look for when checking a vehicle's tyres? Give **two** answers.

1. _____

2. _____ [2]

(b) Write down **one** action of a driver which would accelerate tyre wear.

_____ [1]

Examiner Only

Marks Remark

Section B

You must answer **all fifteen** questions.

You should spend approximately **75 minutes** on this section.

Examiner Only	
Marks	Remark

19 Insert the following words in the paragraph below.

insurance certificate no claims discount premium
policy holder insurance company

The _____ had an accident. He phoned
the _____ right away. He was able to produce
his _____ to the police within twenty four hours.
His _____ will not increase as
his _____ was protected.

[5]

20 (a) Name the medical condition and treatment for a road traffic accident victim wandering at or near the scene in a dazed or confused manner.

medical condition _____
treatment _____ [2]

(b) Explain why it is important not to give this patient anything to drink.

_____ [1]

(c) Give **two** reasons for placing an unconscious and breathing casualty in the recovery position.

1. _____
2. _____ [2]

22 The table below shows a quick reference price guide to Ford Rental.

Ford Ka

1 day	£25
2 days	£50
3 days (w'end special)	£60
4+ days	£20/day
7+ days	£17.50/day
>14 days	£15/day
>28 days	see DD

Ford Fiesta

1 day	£30
2 days	£60
3 days (w'end special)	£75
4+ days	£25/day
7+ days	£20/day
>14 days	£17.50/day
>28 days	see DD

(a) How much cheaper is it to hire a Ford Fiesta for three days at the weekend than three days mid-week?

_____ [3]

(b) What is the difference in hiring a Ford Ka for 6 days or hiring it for 7 days?

_____ [3]

Examiner Only	
Marks	Remark

23 Fig. 23.1 below shows a typical engine configuration.

Name the parts marked (i) to (vi).

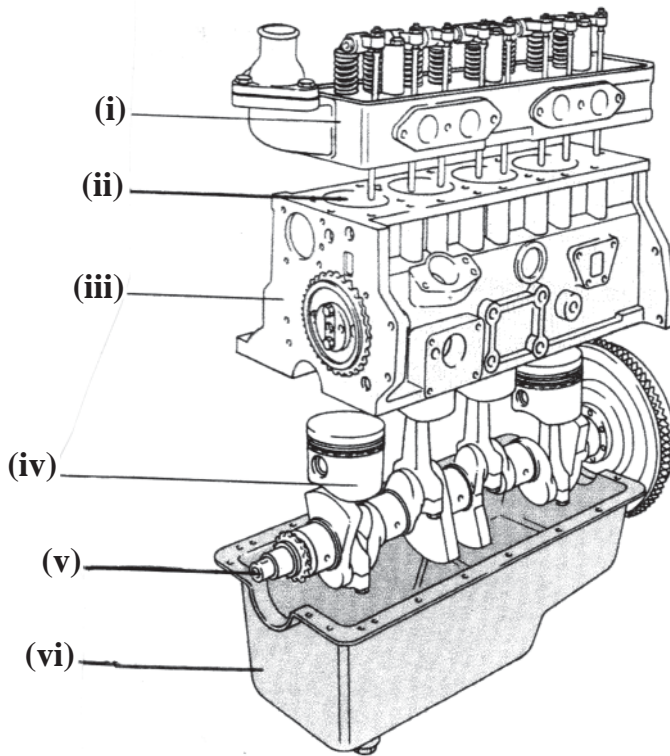


Fig. 23.1

© AA Car Care, page 31 published by AA Publishing, 1984, ISBN 0861450221

- (i) _____
- (ii) _____
- (iii) _____
- (iv) _____
- (v) _____
- (vi) _____ [6]

Examiner Only	
Marks	Remark

24 When planning and designing a new road, the effects it may have on the environment are examined carefully by the design team.

For each of the factors listed below, comment on how its impact on the environment can be minimised.

1. Traffic noise

2. Visual impact

3. Heritage and conservation

[9]

25 The police have a general right to stop motor vehicles.

(a) Give **two** occasions when a police officer may stop a motor vehicle.

1. _____

2. _____ [2]

(b) The police can require a driver to produce certain documents.
What are they?

1. _____

2. _____

3. _____ [3]

Examiner Only	
Marks	Remark

30 Fig. 30.1 below shows a typical vehicle cooling system.

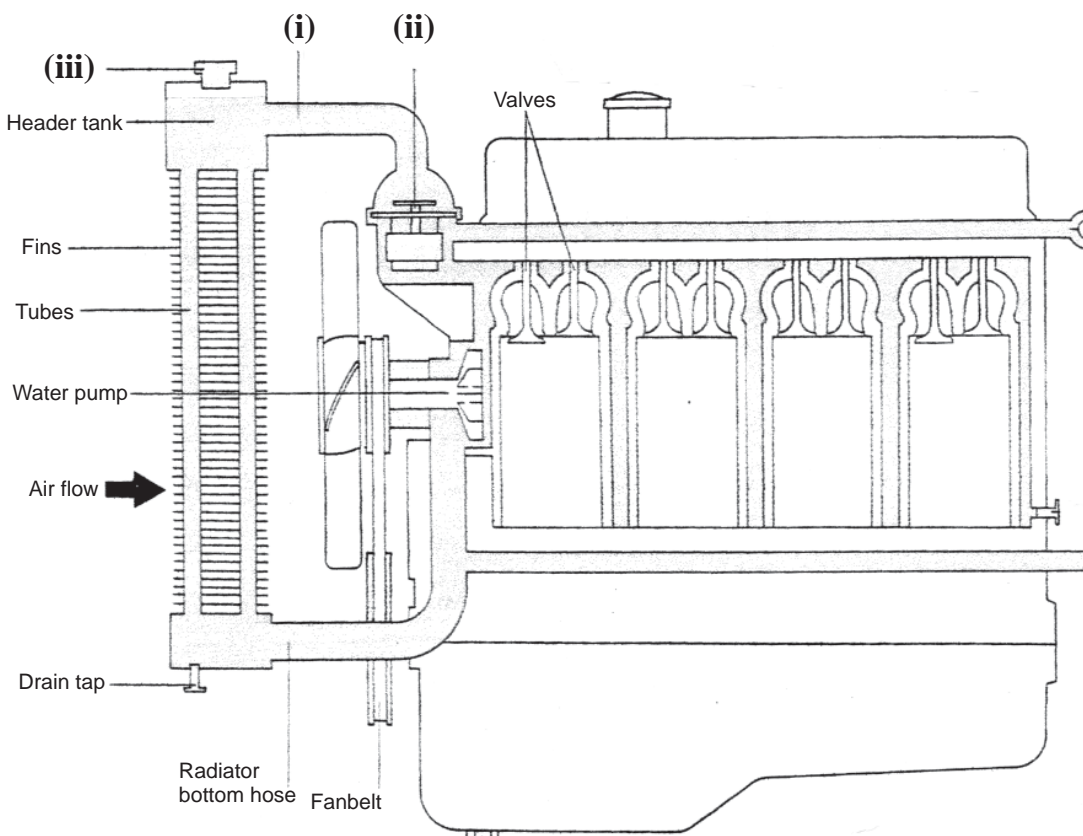


Fig. 30.1

© AA Car Care, page 20 published by AA Publishing, 1984, ISBN 0861450221

(a) Write down the names of the parts labelled (i) to (iii).

(i) _____

(ii) _____

(iii) _____ [3]

(b) A drain tap is shown on the diagram. When might you want to drain the radiator?

_____ [1]

Examiner Only	
Marks	Remark

(c) Two components of the water cooling system help maintain it at the correct temperature.

What are these **two** components?

1. _____

2. _____ [2]

Why is this necessary?

_____ [1]

Examiner Only	
Marks	Remark

THIS IS THE END OF THE QUESTION PAPER

Permission to reproduce all copyright material has been applied for.
In some cases, efforts to contact copyright holders may have been unsuccessful and CCEA
will be happy to rectify any omissions of acknowledgement in future if notified.

GCSE Motor Vehicle and Road User Studies 2010

Paper 1 Higher Tier

[G6803]

For use with Question 17



Fig. 17.1



Fig. 17.2

For use with Question 18



Fig. 18.1



Fig. 18.2



Fig. 18.3



Fig. 18.4



Fig. 18.5



Fig. 18.6

© Crown Copyright - The Highway Code for NI, 2008