



Rewarding Learning

General Certificate of Secondary Education

2009

Motor Vehicle and Road User Studies

Paper 1
Higher Tier

[G6803]

MONDAY 11 MAY, MORNING



G6803

StudentBounty.com

Centre Number	
71	

Candidate Number	
------------------	--

For Examiner's use only	
Question Number	Marks
1	
2	
3	
4	
5	
6	
7	
8	
9	
10	
11	
12	
13	
14	
15	
16	
17	
18	
19	
20	
21	
22	
23	
24	
25	
26	
27	
28	
29	
30	
31	
32	
33	
34	
35	
36	

Total Marks	
-------------	--

TIME

2 hours.

INSTRUCTIONS TO CANDIDATES

Write your Centre Number and Candidate Number in the spaces provided at the top of this page.
 Write your answers in the spaces provided in this question paper.
 Answer **all thirty-six** questions.
 You are provided with an insert for use with Questions **18** and **20** in this paper.
 Do not write your answers on this insert.

INFORMATION FOR CANDIDATES

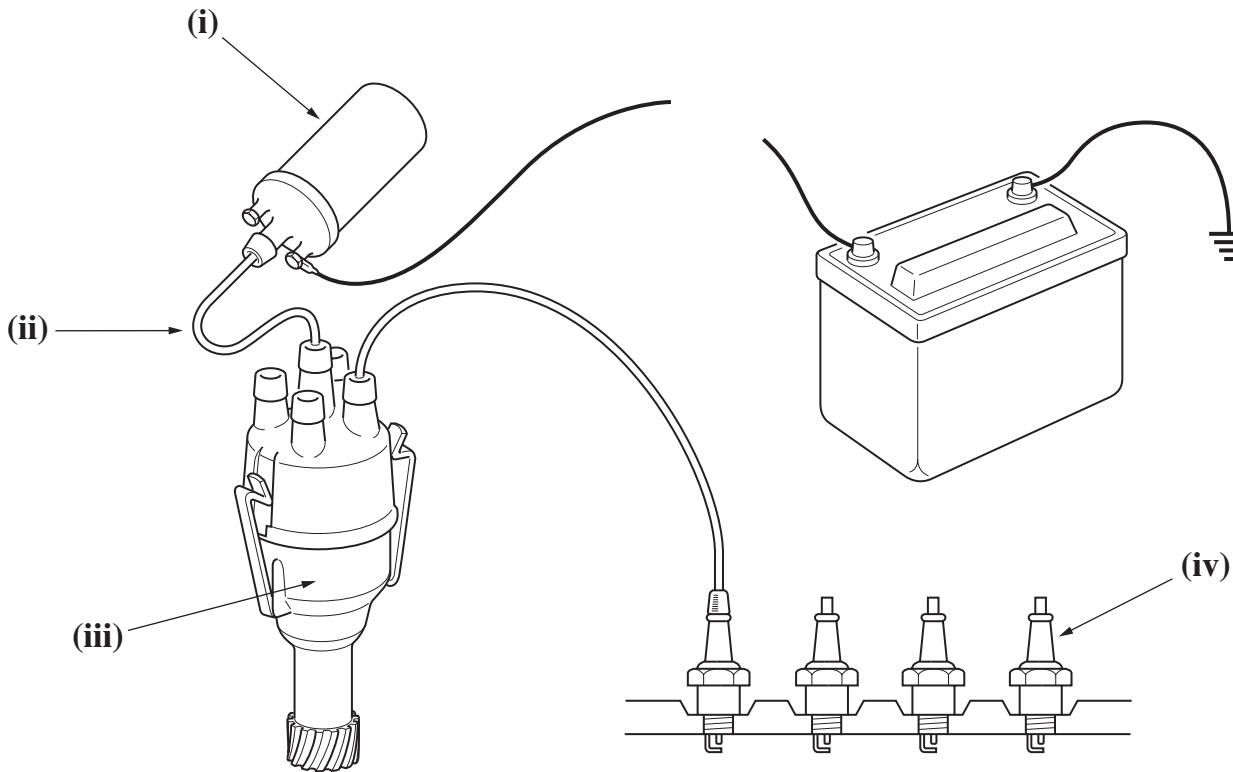
The total mark for this paper is 180.
 Quality of written communication will be assessed in Questions **34**, **35** and **36**.
 Figures in brackets printed down the right-hand side of pages indicate the marks awarded to each question or part question.
 You are advised to spend approximately 45 minutes on Section A and 75 minutes on Section B.
 You may use an electronic calculator.

BLANK PAGE

19 (a) Describe briefly the function of a universal joint.

Examiner Only	
Marks	Remark

[2]



The Car by E.F. Scott and B. Toby, published by Longman, 1978, ISBN 058222005X. © Pearson Education Ltd, publishers.

Fig. 19

(b) Fig. 19 above shows a car's charging system. Identify the parts marked (i)–(iv).

- (i) _____ [1]
- (ii) _____ [1]
- (iii) _____ [1]
- (iv) _____ [1]

20 Study the road signs on the insert sheet.

State the meaning of each of the road signs **Fig. 20.1–20.4**

Fig. 20.1 _____ [1]

Fig. 20.2 _____ [1]

Fig. 20.3 _____ [1]

Fig. 20.4 _____ [1]

Examiner Only	
Marks	Remark

BLANK PAGE

Section B

You must answer **all sixteen** questions.

You should spend approximately **75 minutes** on this section.

Examiner Only	
Marks	Remark

21 Many motorway accidents occur on the hard shoulder.

(a) When should a driver use the hard shoulder?

_____ [1]

(b) List **two** precautions a driver or his passengers should take if using the hard shoulder.

1. _____

2. _____ [2]

22 (a) Write down **five** items a motorist is advised to carry as part of an emergency kit.

1. _____

2. _____

3. _____

4. _____

5. _____ [5]

(b) Write down **two** items which are mandatory when travelling abroad.

1. _____

2. _____ [2]

23 (a) Write down **three** actions a driver should take when approaching a roundabout.

1. _____

2. _____

3. _____

[3]

(b) What is the rule regarding right of way at a roundabout?

_____ [2]

(c) If there are two lanes approaching a roundabout and you want to go straight ahead, which lane should you be in?

_____ [1]

(d) What rules apply to mini roundabouts?

_____ [2]

(e) Describe briefly the sequence of signals a driver should use when turning right at a roundabout.

_____ [3]

Examiner Only

Marks

Remark

24 (a) Give **three** examples of traffic noise pollution.

1. _____
2. _____
3. _____ [3]

(b) State how a motorist can ensure that his vehicle does not cause excessive noise.

_____ [1]

(c) State **two** ways in which traffic management methods may be used to reduce noise pollution.

1. _____
2. _____ [2]

Examiner Only	
Marks	Remark

25 Fig. 25.1–25.5 show components of the braking system. Name each component and describe briefly how it functions.

Fig. 25.1

Name _____ [1]

Function

 _____ [2]

Fig. 25.2

Name _____ [1]

Function

 _____ [2]

Fig. 25.3

Name _____ [1]

Function

 _____ [2]

Examiner Only	
Marks	Remark

Fig. 25.4

Name _____ [1]

Function

_____ [2]

Fig. 25.5

Name _____ [1]

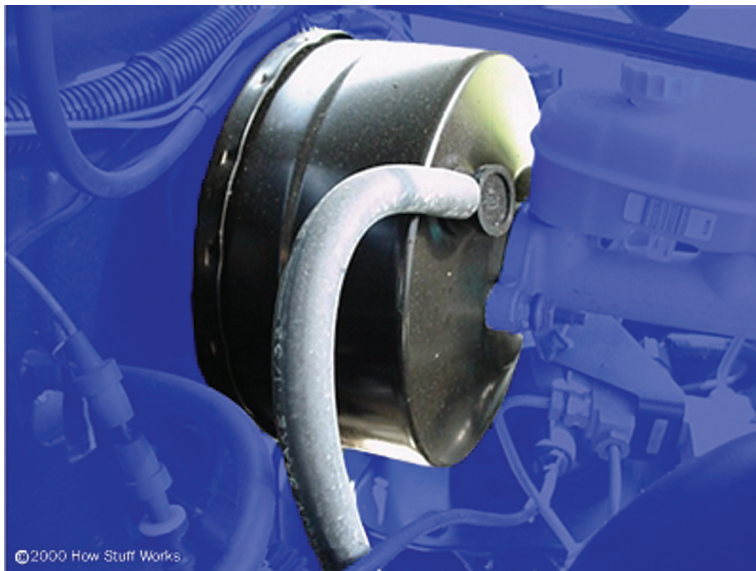
Function

_____ [2]

Examiner Only	
Marks	Remark



Fig. 25.1



Photograph taken from an article: *How Power Brakes Work (2000)* © How Stuff Works

Fig. 25.2



Photograph taken from an article: *How Disc Brakes Work (2000)* © How Stuff Works

Fig. 25.3

Examiner Only	
Marks	Remark

Examiner Only	
Marks	Remark



©2000 How Stuff Works

Photograph taken from an article: *How Drum Brakes Work* (2000) © How Stuff Works

Fig. 25.4



©2000 How Stuff Works

Photograph taken from an article: *How Drum Brakes Work* (2000) © How Stuff Works

Fig. 25.5

26 Name **four** actions or precautions carried out to prepare a car for winter driving.

- 1. _____
- 2. _____
- 3. _____
- 4. _____ [4]

27 Sometimes it is necessary for a driver to give a warning to other road users.

(a) Give **two** examples of when this might happen and state what type of warning you would give.

- 1. _____
_____ [2]

Type of warning
_____ [1]

- 2. _____
_____ [2]

Type of warning (different from above)
_____ [1]

(b) Describe briefly how your answers in (a) above might be different if you were travelling on a motorway.

_____ [2]

Examiner Only	
Marks	Remark

28 It is essential that the tyres on your vehicle be maintained in the best possible condition. Describe briefly how you would ensure this with reference to:

(a) Tread depth

_____ [2]

(b) Tyre damage

_____ [2]

(c) Tyre pressure

_____ [2]

29 (a) Describe briefly what you understand by the term “road rage”.

_____ [3]

(b) Suggest **three** ways to avoid being involved in “road rage”.

1. _____
2. _____
3. _____ [3]

Examiner Only	
Marks	Remark

30 Write down **two** dangers of night-time driving and describe how you could minimise them.

1. _____

 _____ [2]

2. _____

 _____ [2]

31 Mr. Black’s present car does 38 mpg and his average weekly mileage is 300 miles. Petrol costs £4.85 per gallon. If he changes to a new car which uses LPG at a cost of 68p per litre and uses 1 litre every 8 miles, how much will he save each month, if his average weekly mileage remains the same?

Answer _____ [5]

32 (a) There are certain differences between applying for a vehicle test certificate in Great Britain and in Northern Ireland. Write down **two** of the main differences.

1. _____
 2. _____ [2]

(b) Write down **three** items which are tested during a vehicle test.

1. _____
 2. _____
 3. _____ [3]

Examiner Only	
Marks	Remark

33 (a) Explain briefly what “peripheral vision” means.

[3]

(b) Write down **one** possible consequence of someone driving with poor peripheral vision.

[2]

(c) Write down what the eyesight requirements are for a driving test.

[1]

Examiner Only	
Marks	Remark

GCSE Motor Vehicle and Road User Studies 2009

Paper 1 Higher Tier [G6803]

For use with Question 20



Fig. 20.1



Fig. 20.2



Fig. 20.3



Fig. 20.4

© Crown copyright reproduced under the terms of the Click Use Licence

For use with Question 18



Fig. 18.1



Fig. 18.2



Fig. 18.3

Permission to reproduce all copyright material has been applied for.
In some cases, efforts to contact copyright holders may have been unsuccessful and CCEA
will be happy to rectify any omissions of acknowledgement in future if notified.

T65689/7