

Centre No.						Paper Reference					Surname	Initial(s)			
Candidate No.						5	3	8	3	F	/	0	9	Signature	

Paper Reference(s)

5383F/09

Edexcel GCSE

Mathematics (Modular) – 2381

Paper 9 (Calculator)

Foundation Tier

Unit 2 Stage 2

Monday 15 November 2010 – Afternoon

Time: 30 minutes

Examiner's use only

--	--	--

Team Leader's use only

--	--	--



Materials required for examination

Ruler graduated in centimetres and millimetres, protractor, compasses, pen, HB pencil, eraser, calculator. Tracing paper may be used.

Items included with question papers

Nil

Instructions to Candidates

In the boxes above, write your centre number, candidate number, your surname, initials and signature. Check that you have the correct question paper.

Answer ALL the questions. Write your answers in the spaces provided in this question paper.

You must NOT write on the formulae page.

Anything you write on the formulae page will gain NO credit.

If you need more space to complete your answer to any question, use additional answer sheets.

Information for Candidates

The marks for individual questions and the parts of questions are shown in round brackets: e.g. (2).

There are 10 questions in this question paper. The total mark for this paper is 25.

There are 8 pages in this question paper. Any blank pages are indicated.

Calculators may be used.

If your calculator does not have a π button, take the value of π to be 3.142 unless the question instructs otherwise.

Advice to Candidates

Show all stages in any calculations.

Work steadily through the paper. Do not spend too long on one question.

If you cannot answer a question, leave it and attempt the next one.

Return at the end to those you have left out.

This publication may be reproduced only in accordance with Edexcel Limited copyright policy. ©2010 Edexcel Limited.

Printer's Log. No.
N37729A

W850/R5383F/57570 6/6/6/6



Turn over

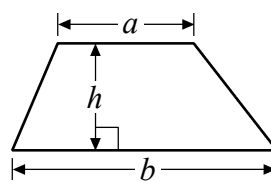
edexcel 
advancing learning, changing lives

GCSE Mathematics 2381

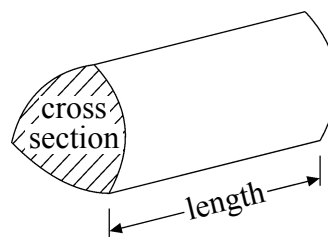
Formulae: Foundation Tier

**You must not write on this formulae page.
Anything you write on this formulae page will gain NO credit.**

Area of trapezium = $\frac{1}{2}(a+b)h$



Volume of prism = area of cross section \times length



Leave
blank

Answer ALL TEN questions.

Write your answers in the spaces provided.

You must write down all stages in your working.

1. A book costs £3.55

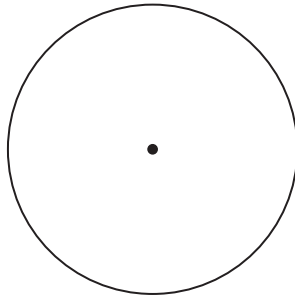
Work out the cost of 10 of these books.

£

(Total 2 marks)

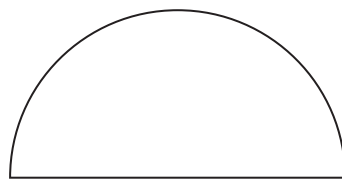
Q1

2. (a) In this circle draw a radius.



(1)

- (b)



What is the mathematical name of this shape?

.....

(1)

(Total 2 marks)

Q2



Leave
blank

3. Here is a list of numbers.

3 5 8 9 12 16 20 27 30

From the list write down

(a) a square number,

.....
(1)

(b) a cube number.

.....
(1)

(Total 2 marks)

Q3

4. Gerald buys

4 medals and

1 trophy.

He pays with a £20 note.

Work out how much change he should get.

Cost	
Medal	£1.29
Trophy	£3.90
Plaque	£11.95

£

(Total 3 marks)

Q4



<p>5. (a) Write down the most sensible imperial unit used to measure the distance from Manchester to London.</p> <p style="text-align: right;">..... (1)</p> <p>(b) Write down the most sensible metric unit used to measure the distance from Calais to Paris.</p> <p style="text-align: right;">..... (1)</p> <p style="text-align: right;">(Total 2 marks)</p>	<p>Leave blank</p> <p>Q5</p> <input type="text"/>
<p>6. There are 6 eggs in a box.</p> <p>(a) Write down an expression, in terms of n, for the number of eggs in n boxes.</p> <p style="text-align: right;">..... (1)</p> <p>Jill has n boxes of eggs. She uses 3 of the eggs.</p> <p>(b) Write down an expression, in terms of n, for the number of eggs Jill has now.</p> <p style="text-align: right;">..... (1)</p> <p style="text-align: right;">(Total 2 marks)</p>	<p>Q6</p> <input type="text"/>



Leave
blank

7. (a) Use your calculator to work out

$$\frac{13.23 \times 5.58}{5.21 \times 4.27}$$

Write down all the figures on your calculator display.
You must give your answer as a decimal.

.....
(2)

(b) Round your answer to part (a) to 1 significant figure.

.....
(1)

(Total 3 marks)

Q7

8. Expand $x(x + 2)$

.....
Q8

(Total 1 mark)

Q8



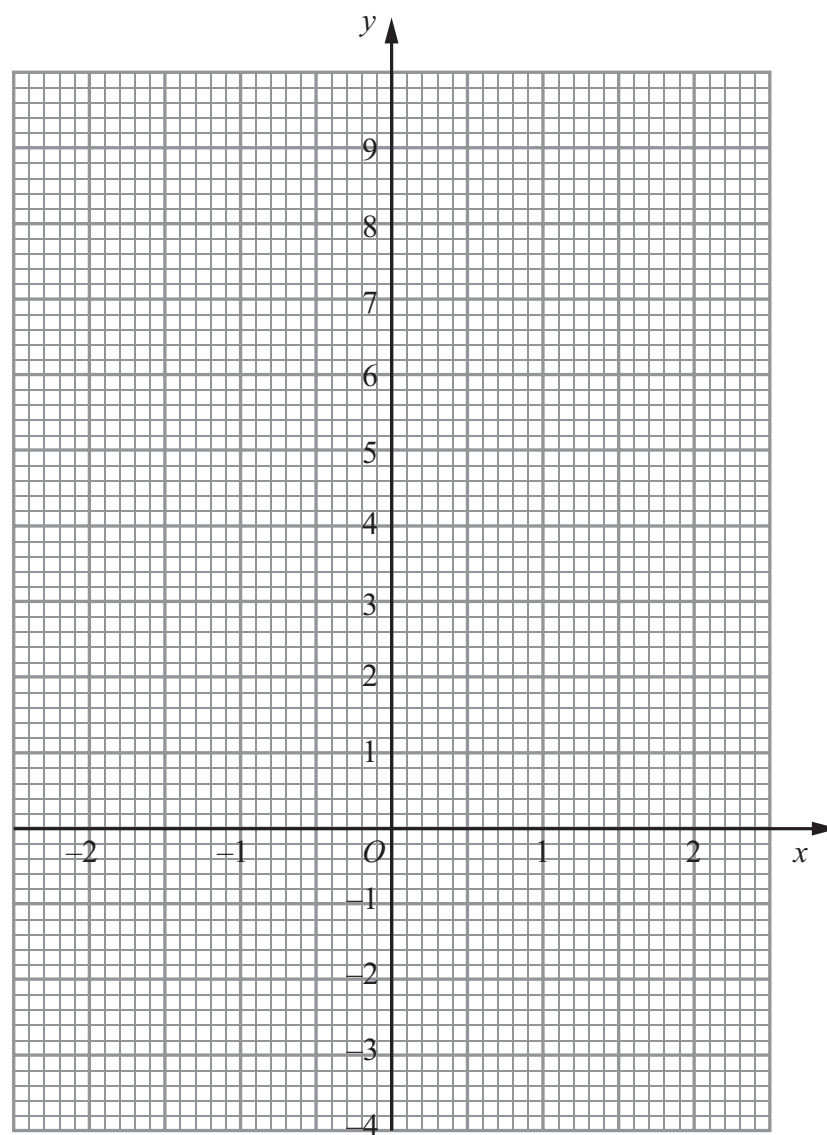
Leave blank

9. (a) Complete the table of values for $y = 3x + 3$

x	-2	-1	0	1	2
y	-3			6	

(2)

(b) On the grid, draw the graph of $y = 3x + 3$



(2)

Q9

(Total 4 marks)



Leave blank

10.

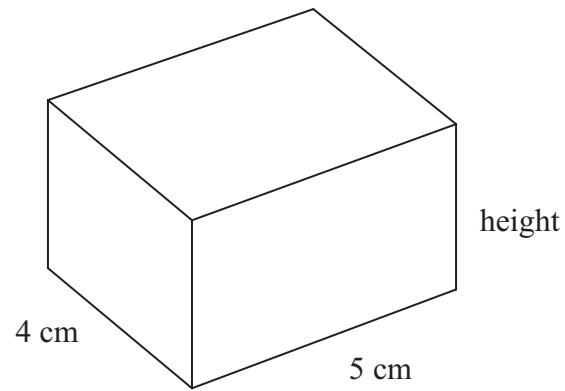


Diagram **NOT** accurately drawn

This cuboid has a width of 4 cm and a length of 5 cm.

The volume of the cuboid is 60 cm^3 .

(a) Work out the height of the cuboid.

..... cm
(2)

The cuboid is a solid made from copper.

The mass of the cuboid is 534 g.

(b) Work out the density of copper.

..... g/cm^3
(2)

Q10

(Total 4 marks)

TOTAL FOR PAPER: 25 MARKS

END

