

Centre No.						Paper Reference					Surname	Initial(s)		
Candidate No.						5	5	1	2	/	12	B	Signature	

Paper Reference(s)

5512/12B

Edexcel GCSE

Mathematics B – 1388

Paper 12 – Section B (Calculator)

Intermediate Tier

Module Test 2

Tuesday 7 November 2006 – Afternoon

Time for Section B: 25 minutes

Examiner's use only

--	--	--

Team Leader's use only

--	--	--



Materials required for examination

Ruler graduated in centimetres and millimetres, protractor, compasses, pen, HB pencil, eraser, calculator. Tracing paper may be used.

Items included with question papers

Nil

Instructions to Candidates

In the boxes above, write your centre number, candidate number, your surname, initials and signature. Check that you have the correct question paper.

Answer ALL the questions. Write your answers in the spaces provided in this question paper.

You must NOT write on the formulae page. Anything you write on the formulae page will gain NO credit.

If you need more space to complete your answer to any question, use additional answer sheets.

Information for Candidates

The marks for individual questions and the parts of questions are shown in round brackets: e.g. (2). This section has 7 questions. The total mark for this section is 19. The total mark for this paper is 38. There are 8 pages in this question paper. Any blank pages are indicated.

Calculators may be used for Section B only.

If your calculator does not have a π button, take the value of π to be 3.142 unless the question instructs otherwise.

Advice to Candidates

Show all stages in any calculations.

Work steadily through the paper. Do not spend too long on one question.

If you cannot answer a question, leave it and attempt the next one.

Return at the end to those you have left out.

This publication may be reproduced only in accordance with Edexcel Limited copyright policy. ©2006 Edexcel Limited.

Printer's Log. No.
N24946A

W850/R1388/57570 6/6/4



Turn over

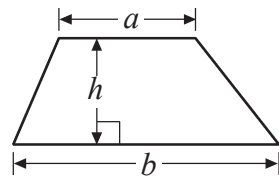
edexcel
advancing learning, changing lives

GCSE Mathematics 1387/8

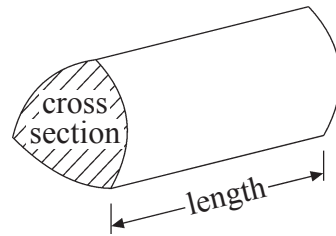
Formulae: Intermediate Tier

**You must not write on this formulae page.
Anything you write on this formulae page will gain NO credit.**

Area of trapezium = $\frac{1}{2}(a+b)h$



Volume of prism = area of cross section \times length



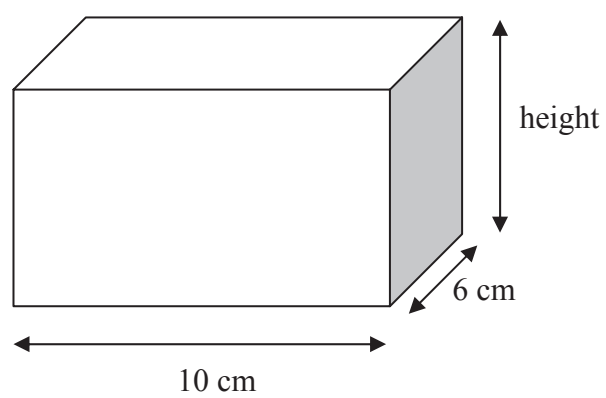
SECTION B

Answer ALL SEVEN questions.

Write your answers in the spaces provided.

You must write down all stages in your working.

1. The diagram shows a cuboid.



The cuboid has

- a volume of 300 cm^3 ,
- a length of 10 cm ,
- a width of 6 cm .

Work out the height of the cuboid.

..... cm

(Total 2 marks)

Q1

2. (i) Work out the value of $3.7^2 - \sqrt{172}$

Write down all the figures on your calculator display.

.....

- (ii) Write your answer to (i) correct to 1 significant figure.

.....

(Total 3 marks)

Q2



Leave
blank

3. Mrs Jones uses gas.

She pays

43.2p for each unit of gas she uses
and
a fixed charge of £7.53

She uses 164 units of gas.

Work out the **total** amount Mrs Jones pays.

£

(Total 3 marks)

Q3

4.

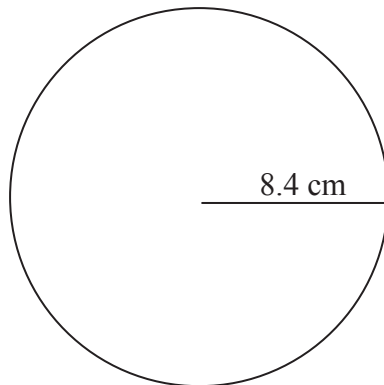


Diagram **NOT**
accurately drawn

The radius of a circle is 8.4 cm.

Work out the area of the circle.

Give your answer correct to 3 significant figures.

.....cm²

(Total 2 marks)

Q4



Leave
blank

5. The table shows information about the weight of the luggage for each of 40 passengers on a plane.

Weight (w kg)	Frequency	
$0 < w \leq 4$	4	
$4 < w \leq 8$	10	
$8 < w \leq 12$	12	
$12 < w \leq 16$	9	
$16 < w \leq 20$	5	

Work out an estimate for the mean weight.

..... kg

(Total 4 marks)

Q5

5

Turn over



Leave blank

6.

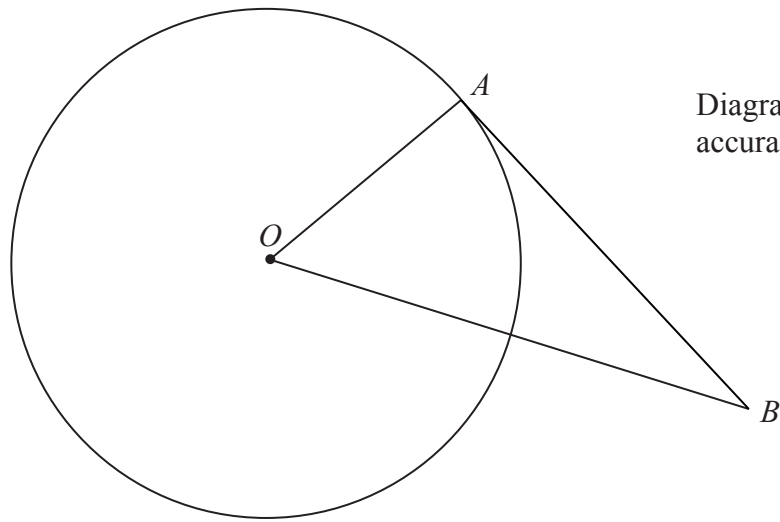


Diagram **NOT** accurately drawn

The diagram shows a circle, centre O .
 AB is the tangent to the circle at the point A .

(i) Write down the size of angle OAB .

.....^o

(ii) Give a reason for your answer.

.....
.....

(Total 2 marks)

Q6



Leave
blank

7. ABC is a triangle.

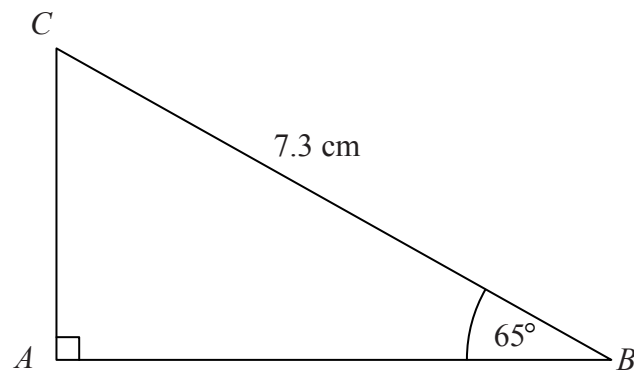


Diagram **NOT**
accurately drawn

Angle $CAB = 90^\circ$.
Angle $ABC = 65^\circ$.
 $BC = 7.3$ cm.

Calculate the length of AB .
Give your answer correct to 3 significant figures.

..... cm

(Total 3 marks)

Q7

TOTAL FOR SECTION B: 19 MARKS

TOTAL FOR PAPER: 38 MARKS

END



BLANK PAGE

