

**GENERAL CERTIFICATE OF SECONDARY EDUCATION  
INFORMATION AND  
COMMUNICATION TECHNOLOGY**

**2380/02**

ICT B  
(Higher Tier)

Candidates answer on the Question Paper

**OCR Supplied Materials:**

- Insert 2380/1/&2/PRE (inserted)

**Other Materials Required:**

- Flowchart stencil
- Candidates pre-prepared materials

**Tuesday 19 January 2010  
Morning**

**Duration: 1 hour 30 minutes**



Candidate Forename		Candidate Surname	
--------------------	--	-------------------	--

Centre Number						Candidate Number				
---------------	--	--	--	--	--	------------------	--	--	--	--

**INSTRUCTIONS TO CANDIDATES**

- Write your name clearly in capital letters, your Centre Number and Candidate Number in the boxes above.
- Use black ink. Pencil may be used for graphs and diagrams only.
- Read each question carefully and make sure that you know what you have to do before starting your answer.
- Answer **all** the questions.
- Do **not** write in the bar codes.
- Write your answer to each question in the space provided, however additional paper may be used if necessary.

**INFORMATION FOR CANDIDATES**

- The number of marks is given in brackets [ ] at the end of each question or part question.
- The total number of marks for this paper is **80**.
- No marks will be awarded for using brand names of software packages or hardware.
- This document consists of **12** pages. Any blank pages are indicated.

- 1 State the type of software that you would recommend for each of the tasks shown in the table below.

You should state the **type** of software that would perform the task most efficiently.

**Do not** use brand names.

Task	Type of software
to calculate the cost of customer purchases	
to develop a web blog	
to model numeric data	
to produce a folded health and safety leaflet	
to record and search for customer details	

[5]

- 2 EnviroMax offers advice to companies about the environmentally friendly manufacture and purchase of computers.

Under each heading give **two** ways a company can help to protect the environment.

Computer manufacture

1 .....

.....

2 .....

..... [2]

Computer purchasing policy

1 .....

.....

2 .....

..... [2]

3 EnviroMax uses a wide range of methods to communicate with other companies.

(a) Two of the benefits of using electronic communication are that it saves cost and time. Explain **two** other benefits to EnviroMax of using electronic communication.

1 .....

.....

.....

.....

.....

2 .....

.....

.....

.....

..... [4]

(b) State **two** ways that electronic communication is better for the environment.

1 .....

.....

2 .....

..... [2]

4 EnviroMax staff travel extensively, sometimes to very remote locations where there are no conventional communication systems.

(a) State **three** methods of accessing emails while travelling on a train. Give one advantage for each method.

Method 1 .....

Advantage .....

Method 2 .....

Advantage .....

Method 3 .....

Advantage ..... [6]

(b) State **one** way to connect a laptop to the internet in a very remote location.

..... [1]

5 Describe how a home computer can increase global warming.

..... [3]

6 Staff at EnviroMax have to scan pictures into the computer. When a picture is scanned the scanning software encodes the image, and the result is then stored for future use.

Name **two** formats that can be used to store the encoded image.

1 .....

.....

2 .....

..... [2]

7 EnviroMax software uses a Graphical User Interface (GUI).

State **four** features of a GUI, giving a benefit of using each feature.

Feature 1 .....

.....

Benefit .....

.....

Feature 2 .....

.....

Benefit .....

.....

Feature 3 .....

.....

Benefit .....

.....

Feature 4 .....

.....

Benefit .....

..... [8]

8 Internet access at home has enabled many people to shop online.

(a) State **two** benefits of shopping online.

1 .....

.....

2 .....

..... [2]

(b) State **two** limitations of shopping online.

1 .....

.....

2 .....

..... [2]

9 EnviroMax provides all new employees with an induction booklet that includes rules for working with ICT equipment and systems at home.

(a) State **four different** health and safety rules that might be included in the induction booklet.

1 .....

.....

2 .....

.....

3 .....

.....

4 .....

..... [4]

(b) The induction booklet also includes rules to protect the company's data.

State **two** possible rules, and explain how each one could help to protect the data.

Rule 1 .....

.....

How it could help to protect the data .....

.....

.....

Rule 2 .....

.....

How it could help to protect the data .....

.....

..... [4]

10 EnviroMax are concerned about the health of their customers accessing their website.

Explain how good website design can help prevent potential health problems for website users.

.....

.....

.....

.....

.....

.....

.....

.....

..... [4]



- 11** You have been asked to help design a website for EnviroMax. The aim of the website is to raise awareness of ways home users could reduce the environmental impact of their ICT use.

Design the structure for the website. This should show at least five pages, but no more than eight. You must include the links between pages in your design. You **do not** need to design the pages themselves.

[9]

12 EnviroMax provides each member of staff with a personal computer.

The personal computer is supplied with an operating system and peripherals with drivers.

(a) Explain the term operating system.

.....  
.....  
.....  
..... [2]

(b) Explain the term peripheral driver.

.....  
.....  
.....  
..... [2]

(c) Give **three** different methods EnviroMax staff could use to enter data into their computer systems.

1 .....  
.....  
2 .....  
.....  
3 .....  
..... [3]

(d) Give **two** methods of reducing data entry errors, and state how each method is used.

Method 1 .....  
.....  
How it is used .....  
.....  
Method 2 .....  
.....  
How it is used .....  
..... [4]

13 EnviroMax staff work from home.

(a) State **one** benefit and **two** limitations to **EnviroMax** of its employees working from home.

Benefit .....

.....

Limitation 1 .....

.....

Limitation 2 .....

..... [3]

(b) State **one** benefit and **one** limitation to the **employee** of working from home.

Benefit .....

.....

Limitation .....

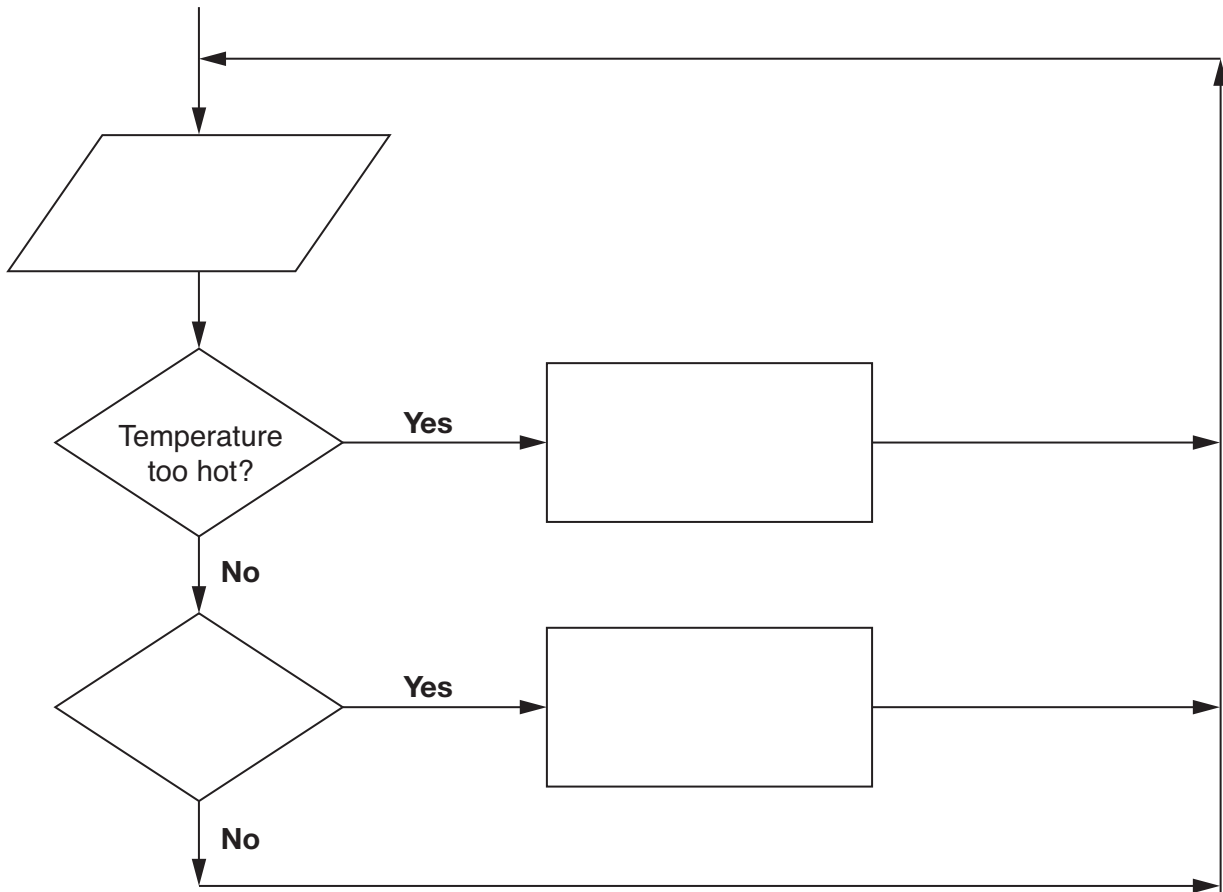
..... [2]

**PLEASE TURN OVER FOR THE LAST QUESTION**

14 EnviroMax advises companies to use a control system with feedback to maintain a temperature of 21 °C in each room of an office.

The flowchart below needs to show how the system would work.

Write the correct statement for each box in the flowchart.



[4]

**Copyright Information**

OCR is committed to seeking permission to reproduce all third-party content that it uses in its assessment materials. OCR has attempted to identify and contact all copyright holders whose work is used in this paper. To avoid the issue of disclosure of answer-related information to candidates, all copyright acknowledgements are reproduced in the OCR Copyright Acknowledgements Booklet. This is produced for each series of examinations, is given to all schools that receive assessment material and is freely available to download from our public website ([www.ocr.org.uk](http://www.ocr.org.uk)) after the live examination series.

If OCR has unwittingly failed to correctly acknowledge or clear any third-party content in this assessment material, OCR will be happy to correct its mistake at the earliest possible opportunity.

For queries or further information please contact the Copyright Team, First Floor, 9 Hills Road, Cambridge CB2 1GE.

OCR is part of the Cambridge Assessment Group; Cambridge Assessment is the brand name of University of Cambridge Local Examinations Syndicate (UCLES), which is itself a department of the University of Cambridge.