

Candidate Name	Centre Number	Candidate Number

WELSH JOINT EDUCATION COMMITTEE
General Certificate of Secondary Education



CYD-BWYLLGOR ADDYSG CYMRU
Tystysgrif Gyffredinol Addysg Uwchradd

157/02

FRENCH

Listening and Responding

Foundation Tier

A.M. FRIDAY, 9 June 2006

(35 minutes approximately)

Examiner's Use Only

Total Marks	
------------------------	--

INSTRUCTIONS TO CANDIDATES

Write your name, centre number and candidate number in the spaces at the top of this page.

Answer **all** the questions. Where numbers are required, figures may be used.

You will hear a tape which contains a number of items in French and you will answer questions on each of these **in French** unless otherwise instructed.

Write your answers in the spaces provided in this question paper.

INFORMATION FOR CANDIDATES

Dictionaries are not allowed.

Before you hear the tape, you will be allowed **five minutes** to read the questions.

The tape will be played. After hearing the voices of the French speakers used on the tape, you will hear question 1 as it appears in your answer book. The French item will then follow. At the end of this there will be a pause and the item will then be repeated.

All the other questions will be heard in the same way.

There will be a pause of approximately 2 minutes at the end of the test before answer books are collected.

You may make notes or write your answers at any time.

The number of marks is given in brackets at the end of each question or part-question.

No certificate will be awarded to a candidate detected in any unfair practice during the examination.

1. Au restaurant

Il y a **deux** sections.

SECTION 1

Qu'est-ce que l'homme et la femme prennent?

Coche (✓) les bonnes cases.

	poisson	jambon	bœuf	carottes
L'homme				

[2]

	pizza	poulet	omelette	frites
La femme				

[2]

SECTION 2

Qu'est-ce que l'homme et la femme prennent?

Coche (✓) les bonnes cases.

	vin rouge	tarte	café	fromage
L'homme				

[2]

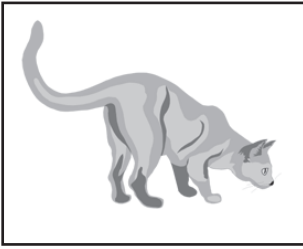
	vin blanc	glace	fraises	eau minérale
La femme				

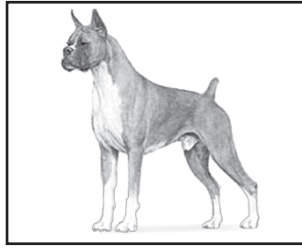
[2]

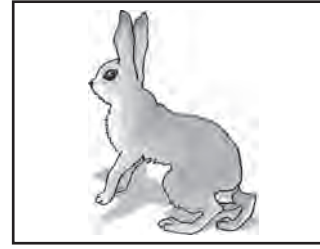
ROUGH NOTES

2. Nicolas et Laetitia parlent des animaux. Coche (✓) les bonnes cases.

(a) Laetitia a:







[1]

(b) Son âge est:

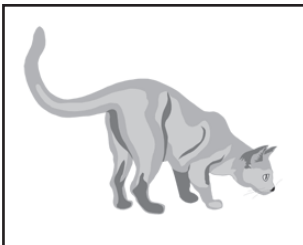




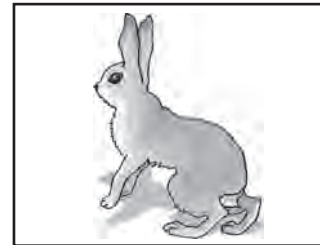


[1]

(c) Nicolas a:







[1]

(d) Son âge est:







[1]

(e) Qui a aussi des souris?

(i) Nicolas

(ii) Laetitia

(iii) Nicolas et Laetitia

[1]

ROUGH NOTES

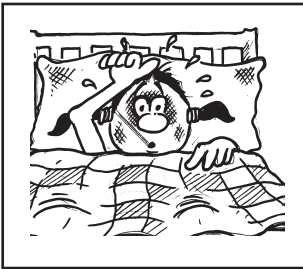
3. Julie est malade. Elle va chez le médecin. Coche (✓) les bonnes cases.

(a) Qu'est-ce qui ne va pas?

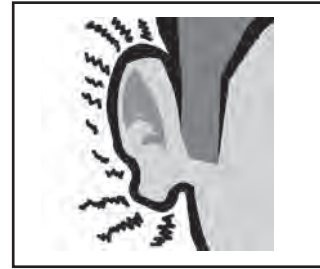






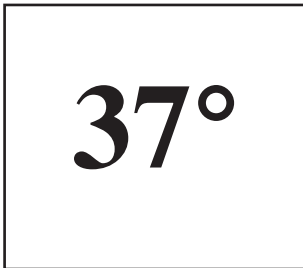


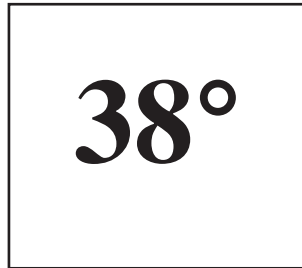


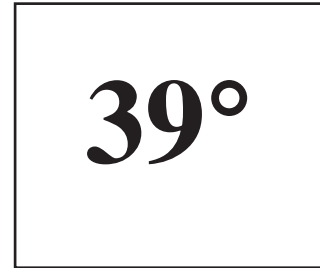


[4]

(b) Elle a une température de







[1]

ROUGH NOTES

4. Des jeunes discutent d'argent de poche.

Que font-ils?

Combien reçoivent-ils?

Coche (✓) les bonnes cases pour chaque conversation.

(a) Elle fait:



[1]

Elle reçoit:



[1]

(b) Il fait:



[1]

Il reçoit:



[1]

ROUGH NOTES

(c) Elle fait:



[1]

Elle reçoit:



[1]

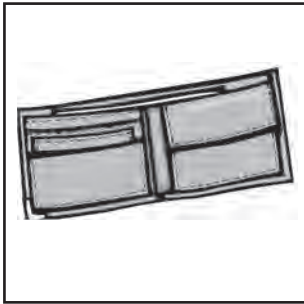
ROUGH NOTES

5. Au bureau des objets trouvés.

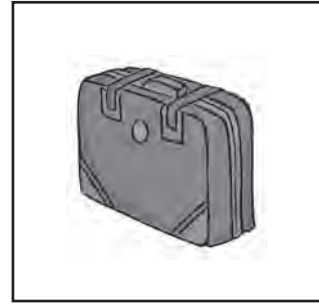
Coche (✓) les bonnes cases.

SECTION 1

(a) Il a perdu:



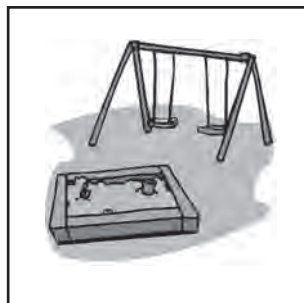


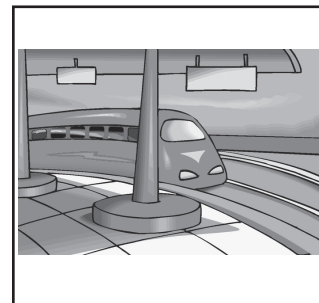


[1]

(b) Il était:







[1]

(c) Il était:







[1]

ROUGH NOTES

SECTION 2

(d) Elle a perdu:





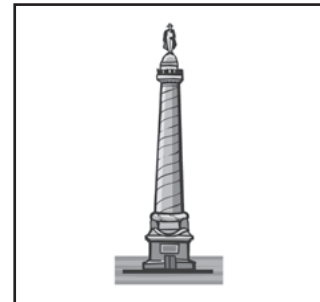


[1]

(e) Elle était:







[1]

(f) Il était:





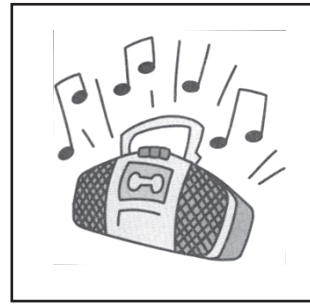


[1]

ROUGH NOTES

6. Gabrielle parle de ses passe-temps. Coche (✓) les bonnes cases.

(a) Les émissions favorites de Gabrielle sont:



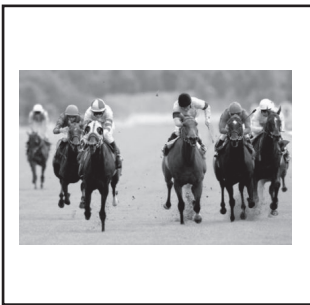
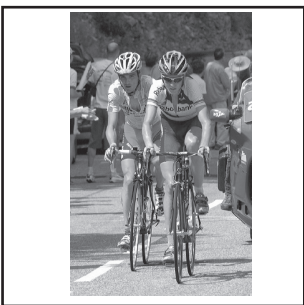
[1]

(b) Le weekend, elle regarde combien d'heures de télévision?



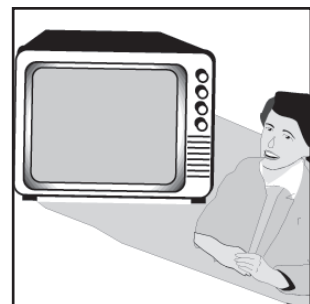
[1]

(c) Ce soir, elle va regarder quelle sorte d'émission?



[1]

(d) Demain, elle doit:



[1]

ROUGH NOTES

7. English Question

David is speaking about his working holiday on a farm in France.

Answer the questions **in English**.

There are **two** sections.

SECTION 1

- (a) When did David go to the French farm? [1]
- (b) What time did he have to get up in the morning? [1]
- (c) What job did he do? [1]

SECTION 2

- (d) What did he do in the afternoon? [1]
- (e) Why does he find the region interesting? [1]
- (f) What are his plans for next year? [1]

ROUGH NOTES